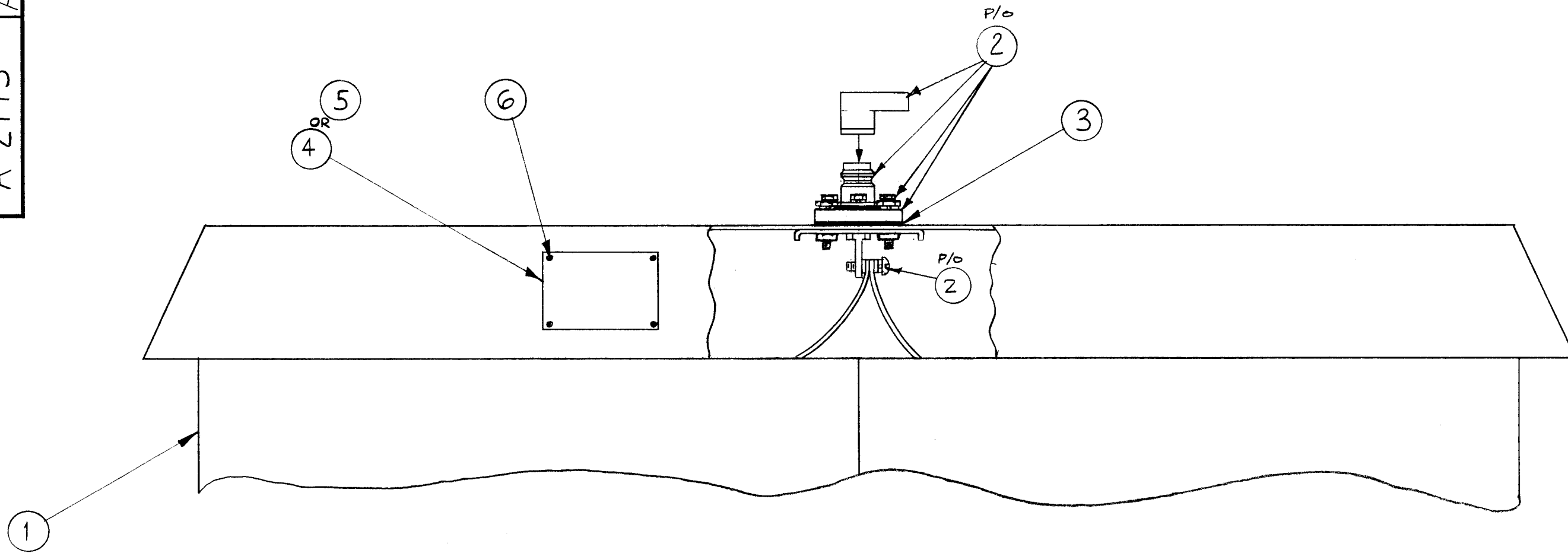


A-2115 A



4	6	SFB0440SN4	SCREW, SELF TAPPING	
1	5	NP-254	NAMEPLATE, NAVY	
1	4	NP-176-7	NAMEPLATE, COMM.	
1	3	GA-149-2	GASKET	
1	2	AX-273-2	CONNECTOR FLANGE ASS'Y.	QDL
1	1	TER-5000-70	BASIC TER-5000-70	

REQ.	ITEM	PART NO.	DESCRIPTION	SYMBOL
			THE TECHNICAL MATERIEL CORP. MAMARONECK, NEW YORK	
STOCK SIZE			TER-5000-70/AX-273-2 ASS'Y.	
MATERIAL				
TYPE & TEMPER		HEAT TREAT. SPEC.	DRAWN	CHECKER
			<i>M.A.F.</i>	<i>VB</i>
			FINAL APPROVAL	
			<i>VB</i>	
FINISH & SPEC. NO.		ELEC. DES. APP.	MECH. DES. APP.	
				A-2115

SYM	DESCRIPTION	DATE	CH. NO.	DRAFTS	CHECKER	ENG. APP.
A	ITEM(4) WAS NP-176-2	3-6-62	6426	EE	<i>EE</i>	<i>EE</i>

UNLESS OTHERWISE SPECIFIED:
DIMENSIONS ARE IN INCHES
TOLERANCES ON FRACTIONS $\pm 1/64$ DECIMALS $\pm .005$ ANGLES $\pm 1/20^\circ$

SCALE: DO NOT SCALE
MAXIMUM ALLOWABLE TOLERANCES HAVE BEEN DETERMINED AND ANY DEVIATIONS WILL BE CAUSE FOR REJECTION. REMOVE ALL BURRS AND SHARP EDGES

REQ. PER UNIT	MODEL	SECTION	ASS'Y. NO.	DATE
1	TER-5000-70/AX-273-2			8-30-61

USED ON