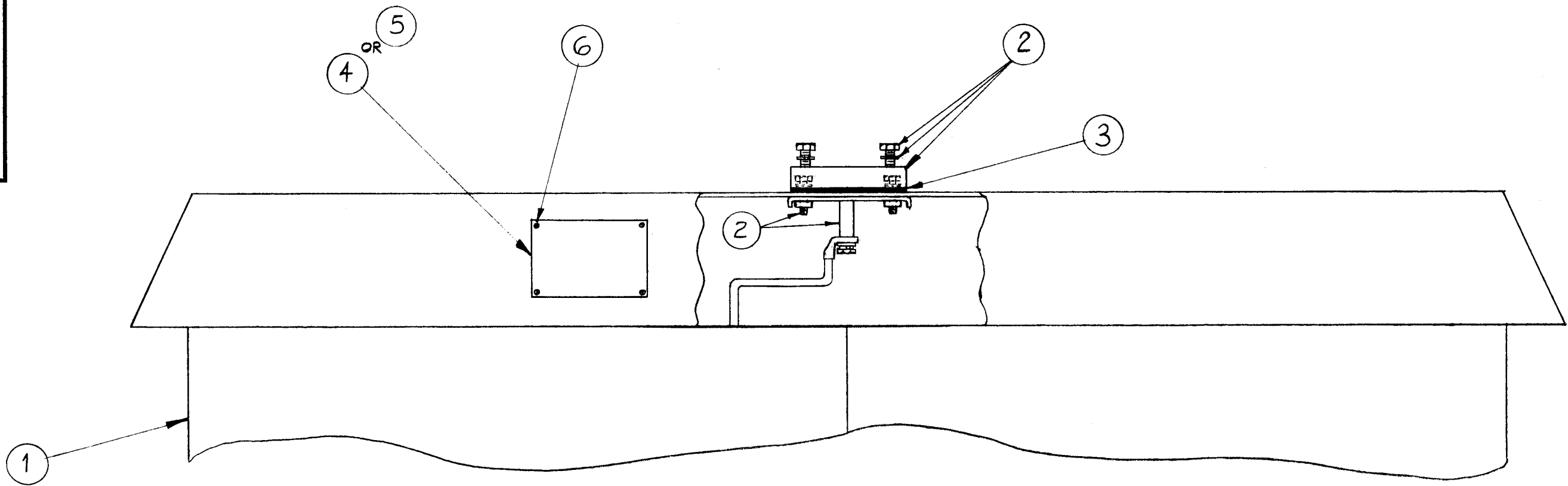


A-2112 A



AS REQUIRED {

4	6	SFB0440SN4	SCREW, SELF TAPPING	
1	5	NP-	NAMEPLATE, NAVY	
1	4	NP-176-7	NAMEPLATE, COMM.	
1	3	GA-143-2	GASKET, ROUND.	
1	2	AX-271	FLANGE CONTACT ASS'Y.	
1	1	TER-5000-70	BASIC TER-5000-70	

A	CONN. DETAIL REVISED.	1-7-65	13228	SE	0200
SYM	DESCRIPTION	DATE	CH. NO.	DRAFTS	CHECKER

UNLESS OTHERWISE SPECIFIED:  
 DIMENSIONS ARE IN INCHES  
 TOLERANCES ON FRACTIONS ± 1/64 DECIMALS ± .005 ANGLES ± 1/2°  
 SCALE: DO NOT SCALE  
 MAXIMUM ALLOWABLE TOLERANCES HAVE BEEN DETERMINED AND ANY DEVIATIONS WILL BE CAUSE FOR REJECTION. REMOVE ALL BURRS AND SHARP EDGES

1	TER-5000-7/AX-271			8-30-61
REQ. PER UNIT	MODEL	SECTION	ASS'Y. NO.	DATE
USED ON				

REQ.	ITEM	PART NO.	DESCRIPTION	SYMBOL
			THE TECHNICAL MATERIEL CORP. MAMARONECK, NEW YORK	
			TER-5000-70 / AX-271 ASS'Y	
			MATERIAL	
		TYPE & TEMPER	HEAT TREAT. SPEC.	
		DRAWN	CHECKER	FINAL APPROVAL
				A-2112
		FINISH & SPEC. NO.	ELEC. DES. APP.	MECH. DES. APP.