

A-2073

USED ON

AS 'Y. N.

DATE

3-8-61

3-8-61

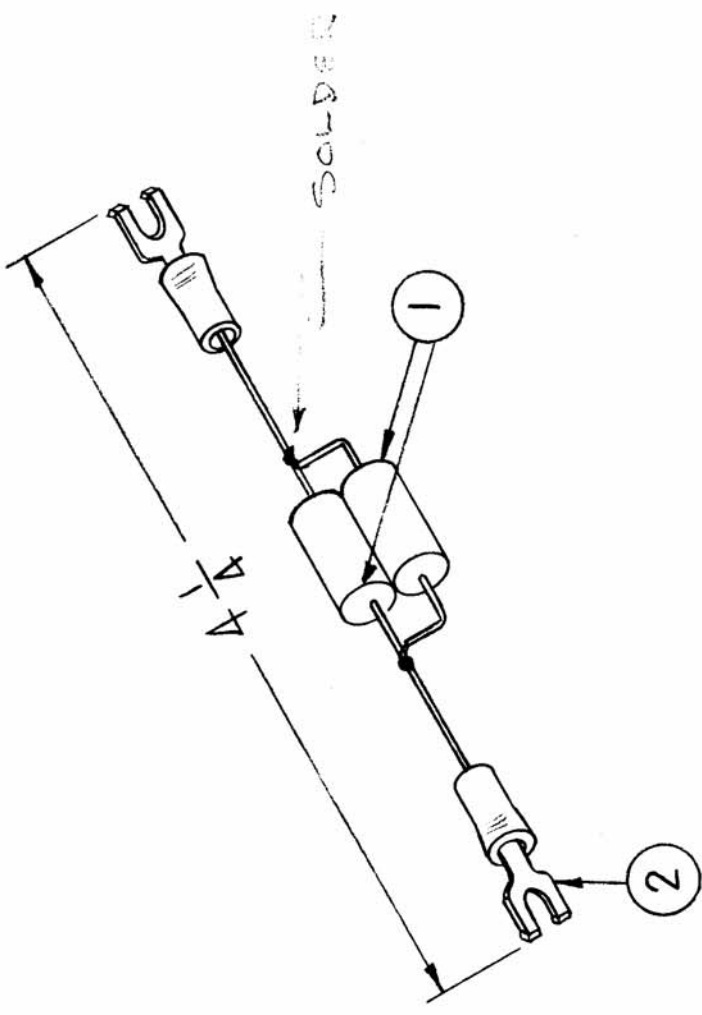
MODEL

GPR90RXD

DDR6E

REQ. PER. UNIT

1



X	3	BS-100	SOLDER, SOFT	SYMBOL
2	2	TE-120-2	LUG, CRIMP TYPE	
2	1	RC326F122K	RESISTOR, FIXED	
REQ. ITEM		PART NO.	DESCRIPTION	
			THE TECHNICAL MATERIEL CORP. MAMARONECK, NEW YORK	
			RESISTIVE TERMINATION ASSY	
			MATERIAL	
			STOCK SIZE	
			HEATTREAT. SPEC.	
			FINISH & SPEC. NO.	
			TYPE & TEMPER	
			DRAWN	
			CHECKED	
			ELEC. DES. APP. MECH. DES. APP.	

R. UZZO *[Signature]*
 DRAWN
 CHECKED
 FINAL APPROVAL
 A-2073

SCALE:
 MAXIMUM ALLOWABLE TOLERANCES HAVE BEEN DETERMINED AND ANY DEVIATIONS WILL BE CAUSE FOR REJECTION. REMOVE ALL BURRS AND SHARP EDGES