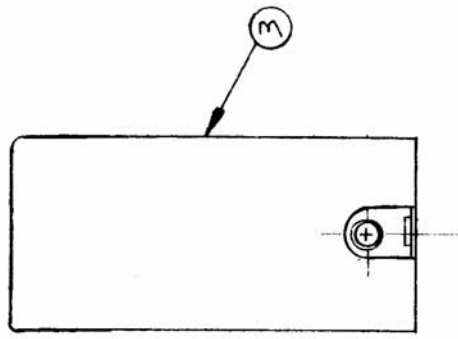
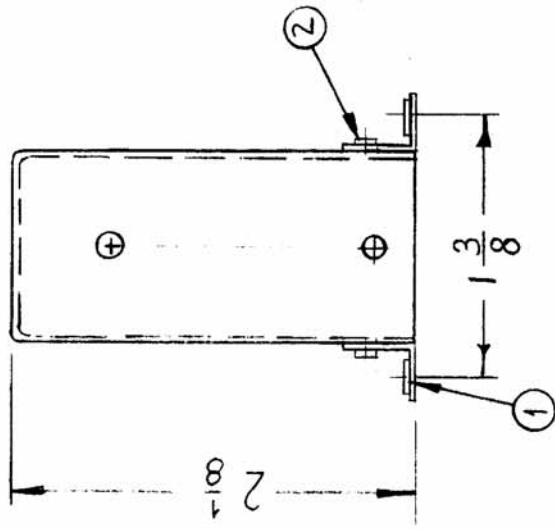
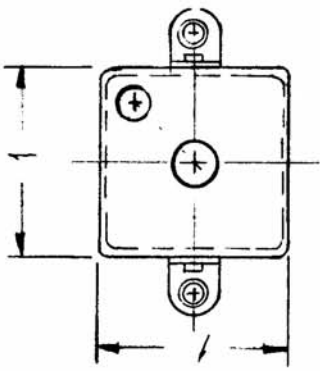


REQ. PER UNIT	1	USED ON	A-1997
MODEL	CHG-1	ASSY. NO.	MF/RF
		DATE	10-15-60



REQ. ITEM	1	3	FP-184	CAN, MACHINING	SYMBOL
	2	2	EY-100-1	EYELET	
	2	1	TE-167	LUG, ANGLE THREADED	
PART NO.		.0159		THE TECHNICAL MATERIEL CORP.	
STOCK SIZE				MAMARONECK, NEW YORK	
MATERIAL		ALUMINUM		CAN ASSY.	
TYPE & TEMPER		S404 YELL. IRIDITE		BALANCED MODULATOR	
HEAT TREAT. SPEC.				DRAWN	
FINISH & SPEC. NO.				CHECKED	
				ELEC. DES. APP. MECH. DES. APP.	
				FINAL APPROVAL	
				A-1997	
				A	

ISSUE ITEM	A	1	REVISED TO CONFORM WITH FP-184 DRAWING	CHANGED FROM	DATE	11-21-60	3512	CH. NO.	DRAFTS	CHECKER	ENG. APP.
TOLERANCES											
SCALE: FULL (DO NOT SCALE)											
MAXIMUM ALLOWABLE TOLERANCES HAVE BEEN DETERMINED AND ANY DEVIATIONS WILL BE CAUSE FOR REJECTION. REMOVE ALL BURRS AND SHARP EDGES											
DEC. DIM. ±											
FRAC. DIM. ± 1/64											
ANGULAR DIM. ±											