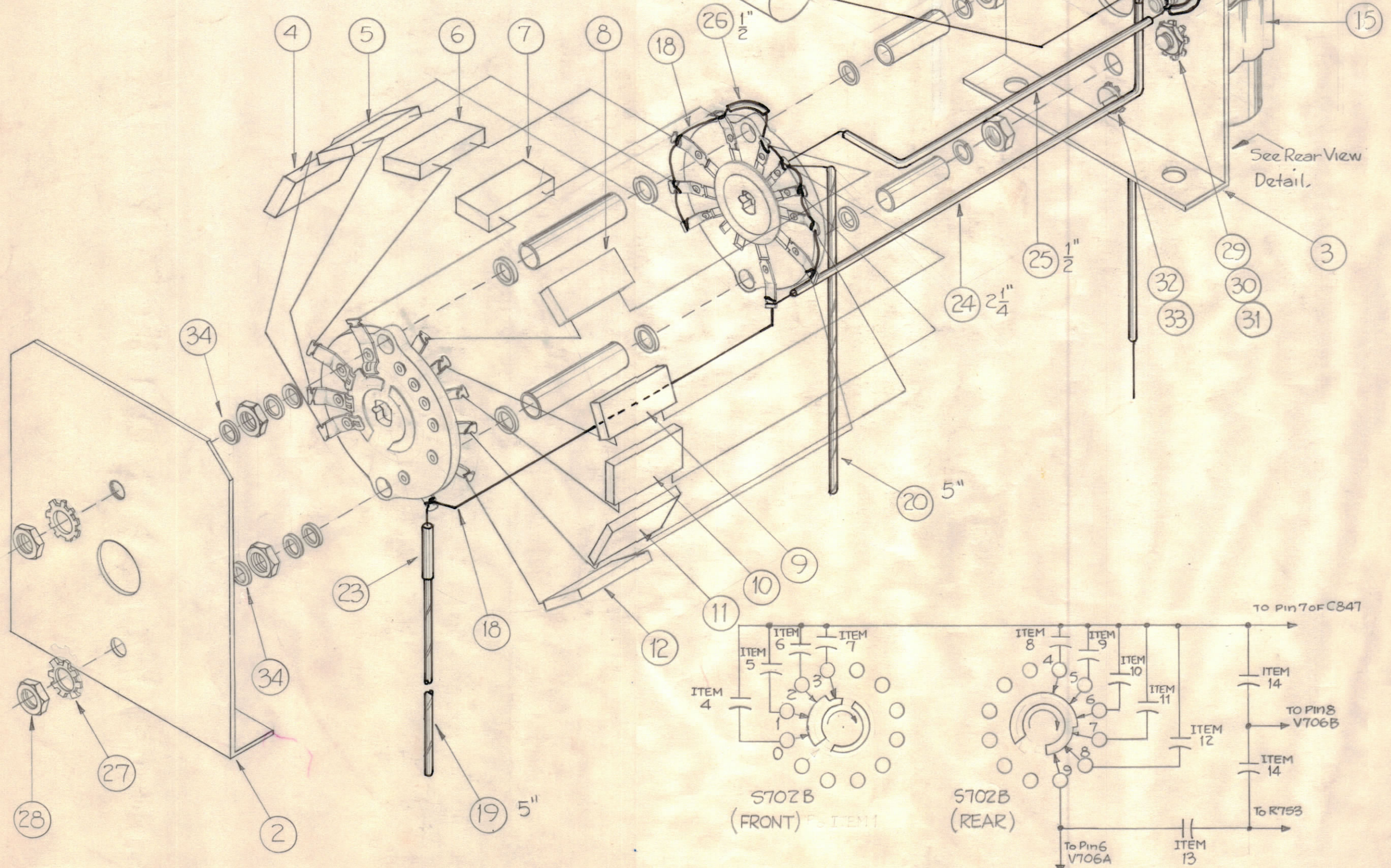
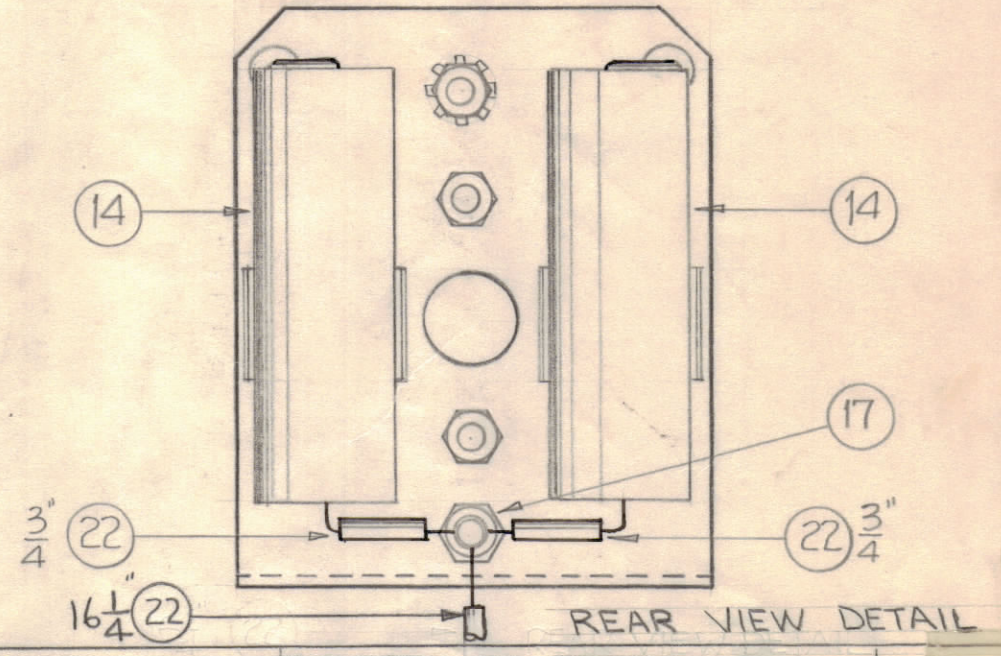
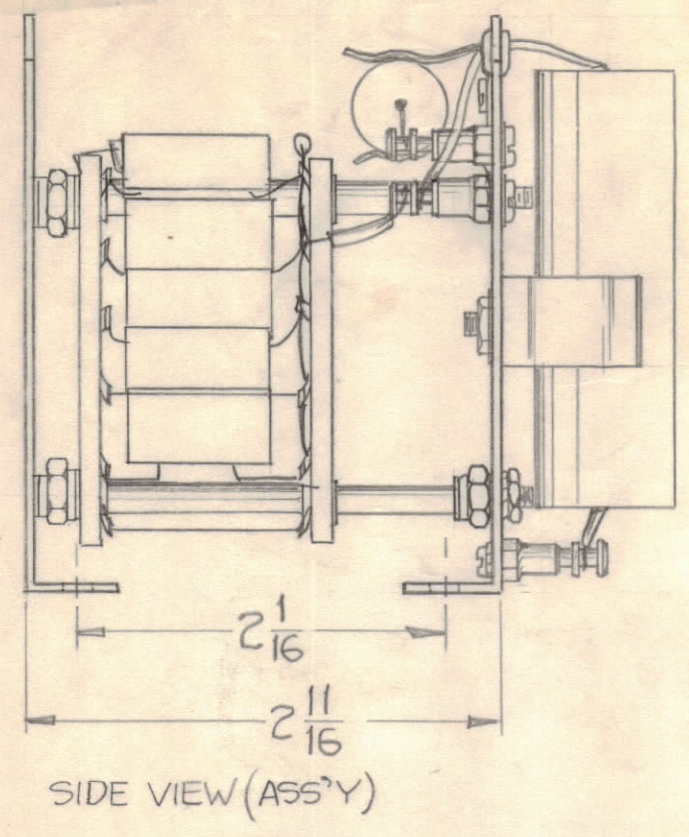
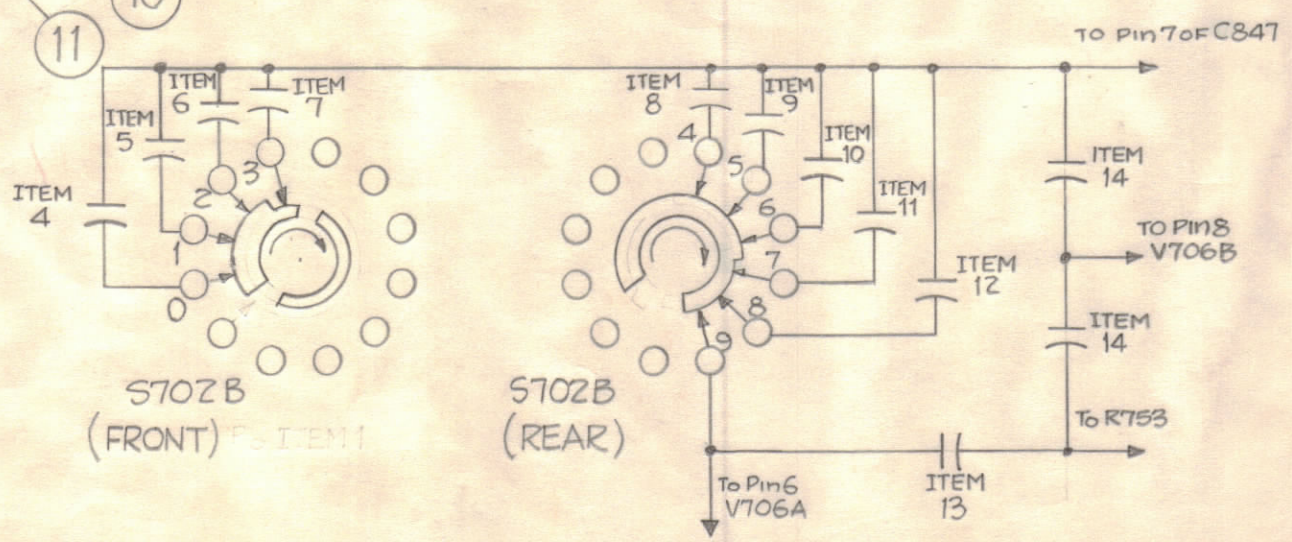


NOTE~Wafer Spacers, Rods, Washers & Nuts which are not itemized are Part of Item 1, WS-111.



REQ. ITEM	PART NO.	DESCRIPTION	SYMBOL
X 36	BS 100	SOLDER, TIN ALLOY	
-# 35		Deleted	
* 34	WA-109-26	Washer Fiber 1/4" O.D.	
4 33	LWEO4MRN	Lockwasher, Ext.	
4 32	SCBP0440BN10	Screw, Machine	
3 31	LWEO6MRN	Lockwasher, Ext.	
3 30	NTH0632BN8	Nut, Hex.	
3 29	SCBP0632BN5	Screw, Machine	
4 28	NTH0540BN10	Nut, Hex.	
4 27	LWEO5MRN	Lockwasher, Ext.	
X 26	PX-104-7-034	Sleeving, Insulation	GREY
X 25	↑ 8 ↓		ORANGE
X 24	PX-104-6-034		Blue
X 23	PX-100-1-118	Sleeving, Insulation Size 9	BLACK
X 22	MWC22(7)U4	Cable, Insulated	YELLOW
X 21	DELETED		
X 20	MWC22(7)U92	Cable, Insulated	RED/WHITE
X 19	MWC22(7)5J6	Cable, Insulated	BLUE
X 18	WL-100-7	Buss-Bar, Wire	
4 17	TE-102-2	Standoff	
2 16	EY-102-11	Grommet, Elastic	
3 15	FC-1024-XXN	Clip, Fuse	
2 14	CX-104-2	Capacitor, Fixed, Polystyrene, .220ufd	C819
1 13	CX-104-1	Capacitor, Fixed, Polystyrene, .0470ufd	C818
1 12	CM200E609F	Capacitor, Fixed, 609 MMFD	C814
1 11	↑ 625 ↑		C813
1 10	641		C812
1 9	658		C811
1 8	675		C810
1 7	693		C809
1 6	712		C808
1 5	731		C807
1 4	CM200E751F	Capacitor, Fixed, 751 MMFD	C806
1 3	LD1161/MS2223	Bracket, Switch & Cap. Mtg.	
1 2	MS-2222	Bracket, Switch Mtg.	
1 1	WS-111	Wafer, Switch Rotary	S702B



*Quantity of item 34 to be determined upon Assembly.

ISSUE	ZONE	DESCRIPTION	DATE	CH. NO.	DRAFTS	CHECKER	ENG. APP.
E		ADD S702B, C806 TO C814, TO IT'S 1 & 4 TO 12. DELE. DECIMALS IT 23, 24 & 26. ADD IT 36. IT 29 & 32 CH'D SC-BS TO SCBP	10-19-66	17049	RME		
D		ITEM 21 DELETED ITEM 20 WAS 11 ITEM 19 WAS 9	5.5.66	16214	UHO		
C	B	IT.3 WAS MS2223	12.21.64	13074	AB		
B	F2	ITEM (35) FC-102-5XXN, 2 REQ DELETED (ITEM 15) WAS 1-REQ	9-28-62	7256	FS		
A	F2	ITEM 35 WAS FC-104-5XXN	11-23-60	3563	WF		

REQ PER UNIT	MODEL	SECTION	ASS'Y. NO.	DATE
1	CLL-1			9-6-60

THE TECHNICAL MATERIEL CORP.		
MAMARONECK, NEW YORK		
SWITCH ASSEMBLY		
S-702/B		
TYPE & TEMPER	DRAWN	ELEC. DES. APP.
HEAT TREAT. SPEC.	CHECKED	MECH. DES. APP.
FINISH & SPEC. NO.	FINAL APPROVAL	
	A-1961 E	