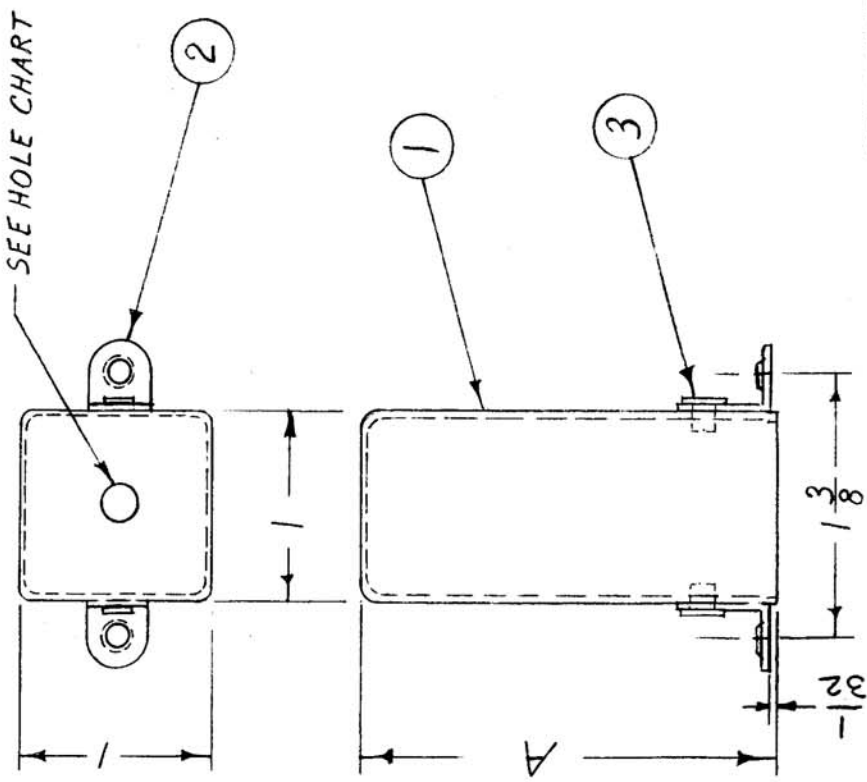


NO. PER UNIT	USED ON	MODEL	DATE
		CHG-1	8-25-60
			A 1950
			B



TMC PART NO.	ITEM	"A" HEIGHT	HOLE
A-1950-1	FP-182-1	2 1/8	3/16
A-1950-2	FP-182-2	1 3/16	1/4
A-1950-3	FP-182-3	2 1/8	1/4
A-1950-4	FP-182-4	1 3/16	3/16

NOTICE TO PERSONS RECEIVING THIS DRAWING

THE TECHNICAL MATERIEL CORPORATION claims proprietary right in the material disclosed hereon. This drawing is issued in confidence for engineering information only and may not be reproduced or used to manufacture anything shown hereon without permission from THE TECHNICAL MATERIEL CORPORATION to the user. This drawing is loaned for mutual assistance and is subject to recall at any time.

Property of:

THE TECHNICAL MATERIEL CORPORATION

REQ. ITEM	PART NO.	DESCRIPTION	SYMBOL
2 3	EY-100-1	EYELET, MAMARONECK, NEW YORK	
2 2	TE-167	LUG, ANGLE THREADED (6-32)	
1 1	SEE CHART	CAN	

STOCK SIZE		MATERIAL	
TYPE & TEMPER		HEAT TREAT. SPEC.	
FINISH & SPEC. NO.		ELEC. DES. APP. MECH. DES. APP.	

DEC. DIM. ±	1/32 WAS 1/16	2-10-82	2199	GDL	W
FRAC. DIM. ±	4 LUGS RE LOCATED	3-23-60	15999	ALB	QCP
ANGULAR DIM. ±		DATE	CH. NO.	DRAFTS	CHECKER
TOLERANCES					
SCALE: FULL					
MAXIMUM ALLOWABLE TOLERANCES HAVE BEEN DETERMINED AND ANY DEVIATIONS WILL BE CAUSE FOR REJECTION. REMOVE ALL BURRS AND SHARP EDGES					

DRAWN		CHECKED		FINAL APPROVAL	
G.R.F.		W.D.		A 1950	
ELEC. DES. APP. MECH. DES. APP.				B	