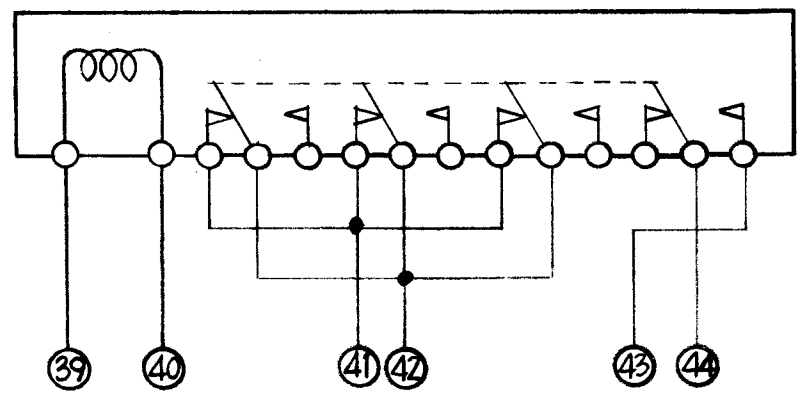
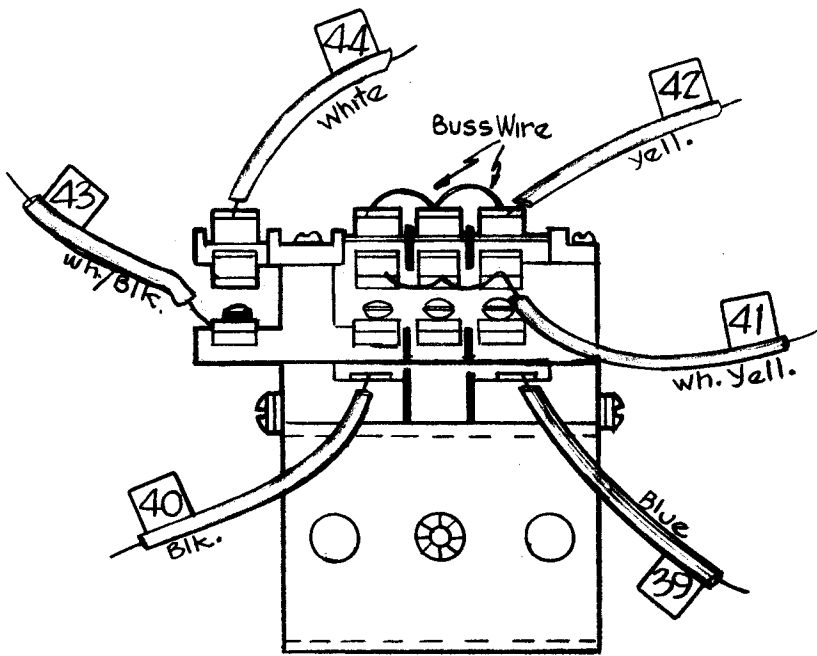


A 1834 B



ISSUE	ITEM	CHANGED FROM	DATE	CH. NO.	DRAFTS	CHECKER	ENG. APP.
B	2	IT. 5 WAS SCFS0632BN5	3-1-67	17872	RME	<i>[Signature]</i>	
A	1	② Buss Wire Jumpers Added Lead No 43 Relocated	6-14-60	2484	cy	<i>[Signature]</i>	<i>[Signature]</i>

TOLERANCES		SCALE:	
DEC. DIM. ±		MAXIMUM ALLOWABLE TOLERANCES HAVE BEEN DETERMINED AND ANY DEVIATIONS WILL BE CAUSE FOR REJECTION.	
FRAC. DIM. ±		REMOVE ALL BURRS AND SHARP EDGES	
ANGULAR DIM. ±			

1	GPT-40K	AR-118		2-25-60
REQ. PER UNIT	MODEL	PROJECT NO.	ASS'Y. NO.	DATE
USED ON				

X	6	WL 100-6	WIRE, BUSS #20	
4	5	SCFP0632BN5	SCREW	
1	4	MS 2020	BOARD RELAY MOUNT	
X	3	BS 100	SOLDER	
1	2	CA 528	CABLE	
1	1	RL 124	RELAY, ARMATURE	
REQ. ITEM	PART NO.		DESCRIPTION	SYMBOL
STOCK SIZE			THE TECHNICAL MATERIEL CORP. MAMARONECK, NEW YORK	
MATERIAL			DRIVER INTERLOCK RELAY ASSY AR-118 ASSY	
TYPE & TEMPER		HEAT TREAT. SPEC.	DRAWN	CHECKED
FINISH & SPEC. NO.			<i>[Signature]</i>	<i>[Signature]</i>
ELEC. DES. APP.			MECH. DES. APP.	FINAL APPROVAL
			<i>[Signature]</i>	A 1834 B