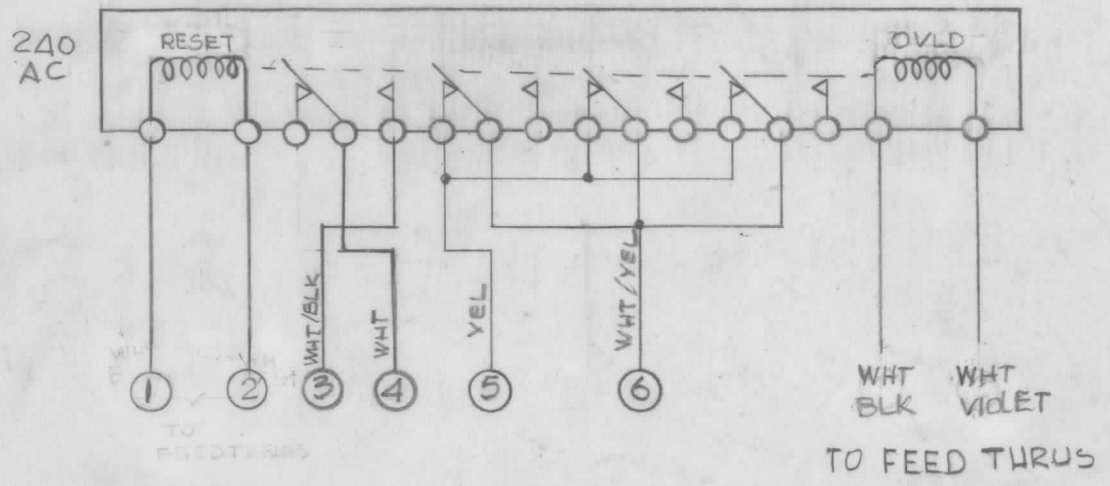
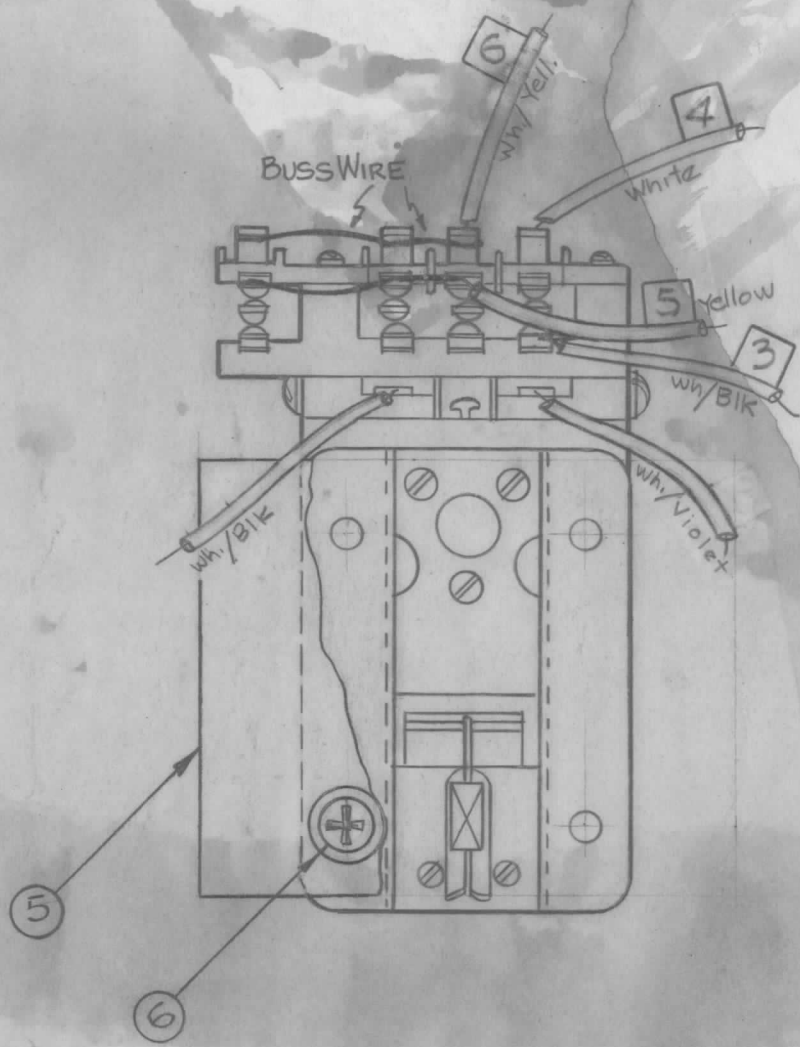
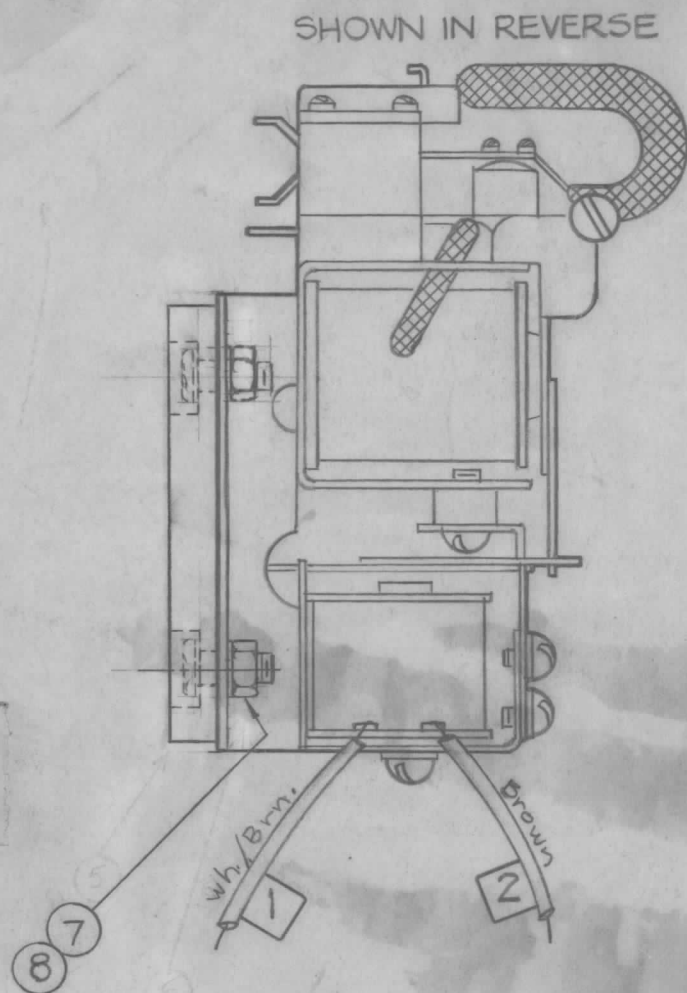


A-1829



SHOWN IN RESET

NO LONGER AVAILABLE
REPLACE BY A 5876

OBSELETE

4	8	NTH0632BN10	NUT, HEX	
4	7	LWE06MRN	WASHER, LOCK, EXT.	
4	6	SCBP0632BN6	SCREW, MACHINE	
1	5	PX-573	INSULATOR	
X	4	WL-100-6	WIRE, BUSS #20	
X	3	BS-100	SOLDER	
1	2	CA-523	CABLE	1, 2, 3, 4, 5, 6, 7, 8
1	1	RL-122	RELAY ARMATURE	

REQ. ITEM	PART NO.	DESCRIPTION	SYMBOL
THE TECHNICAL MATERIEL CORP. MAMARONECK. NEW YORK			
STOCK SIZE			
MATERIAL			
AR-117 ASSEMBLY			
TYPE & TEMPER	HEAT TREAT. SPEC.	DRAWN	CHECKED
		9m	16
FINISH & SPEC. NO.		ELEC. DES. APP.	MECH. DES. APP.

C		SCHEMATIC MOD. NOTE ADD.	3-7-91	GDL			
B	1	SEE EMN#10893	2-12-64	10893	A.M TR.	JCB	
A	2	REROUT LEAD (4)	6-14-60	2484	Cy	JCB	
A	1	TEX LABELS DELETED					
ISSUE	ITEM	CHANGED FROM	DATE	CH. NO.	DRAFTS	CHECKER	ENG. APP.
TOLERANCES			SCALE:				
DEC. DIM. ±			MAXIMUM ALLOWABLE TOLERANCES HAVE BEEN DETERMINED AND ANY DEVIATIONS WILL BE CAUSE FOR REJECTION.				
FRAC. DIM. ±			REMOVE ALL BURRS AND SHARP EDGES				
ANGULAR DIM. ±							

REQ. PER UNIT	GPT-40K	AR-117	ASS'Y. NO.	DATE
	MODEL	PROJECT NO.		2-24-60
USED ON				