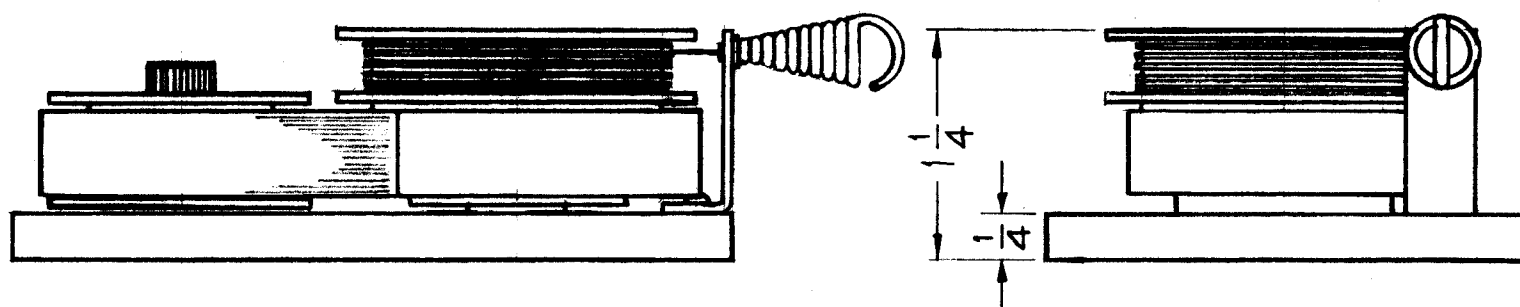
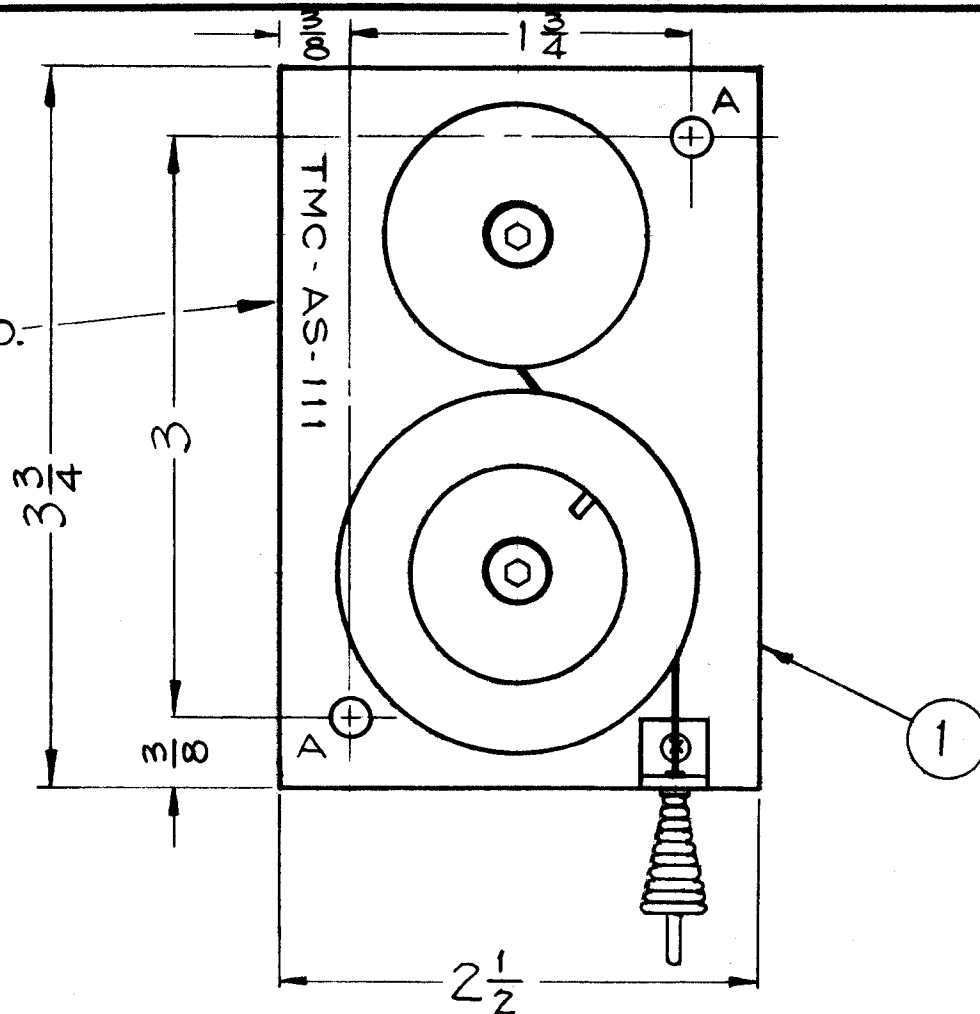


A-1755

A ~ 13/64 (.203) DIA. 2 Req.

TMC PART NO.



PROCEDURE ~

- 1 ~ REMOVE ALL MFG. INFORMATION FROM BASE. (DO NOT MAR SURFACE.)
- 2 ~ DRILL HOLES AS SHOWN.
- 3 ~ STAMP WITH TMC PART NO. "TMC-AS111" AS SHOWN.

NOTES ~

- 1 ~ STAMPING 1/8 HIGH WHITE GOTHIC.

ISSUE	ITEM	CHANGED FROM	DATE	CH. NO.	DRAFTS	CHECKER	ENG. APP.
TOLERANCES			SCALE: DO NOT SCALE				
DEC. DIM. ±			MAXIMUM ALLOWABLE TOLERANCES HAVE BEEN DETERMINED AND ANY DEVIATIONS WILL BE CAUSE FOR REJECTION: REMOVE ALL BURRS AND SHARP EDGES				
FRAC. DIM. ±							
ANGULAR DIM. ±							

1	AS-111	GPT-10K	9-4-59
REQ. PER UNIT	MODEL	PROJECT NO.	DATE
USED ON			

1	1	SP-137-1	Spring, Retracting	
REQ. ITEM	PART NO.		DESCRIPTION	SYMBOL
STOCK SIZE			THE TECHNICAL MATERIEL CORP. MAMARONECK, NEW YORK	
MATERIAL			AS-111 ASSEMBLY (SPRING, RETRACTING)	
TYPE & TEMPER		HEATTREAT. SPEC.	DRAWN	CHECKED
FINISH & SPEC. NO.		ELEC. DES. APP	MECH. DES. APP	FINAL APPROVAL
				A-1755