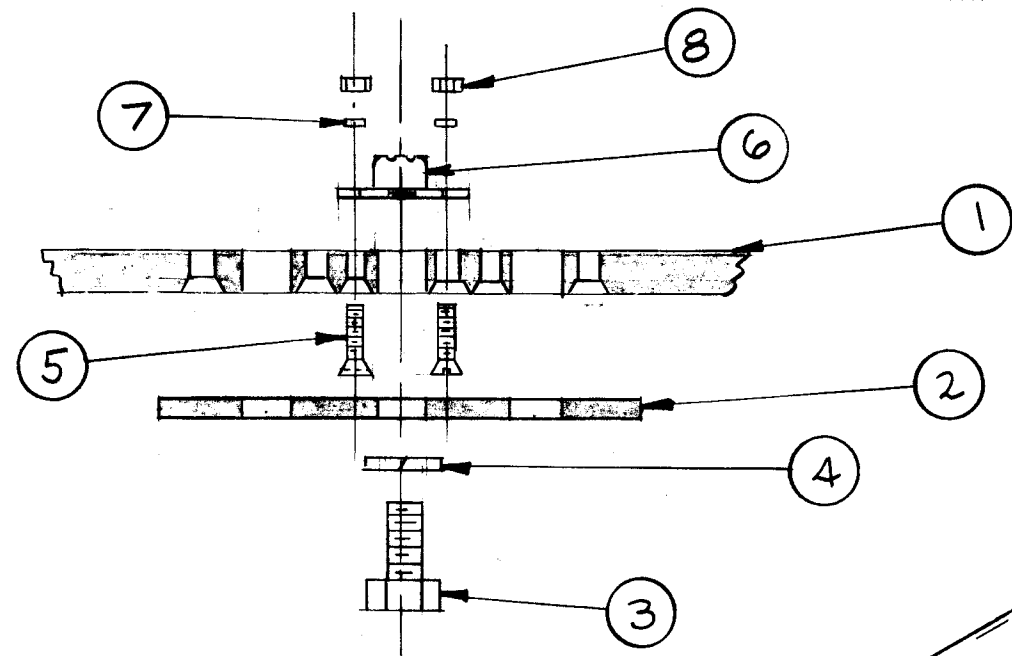
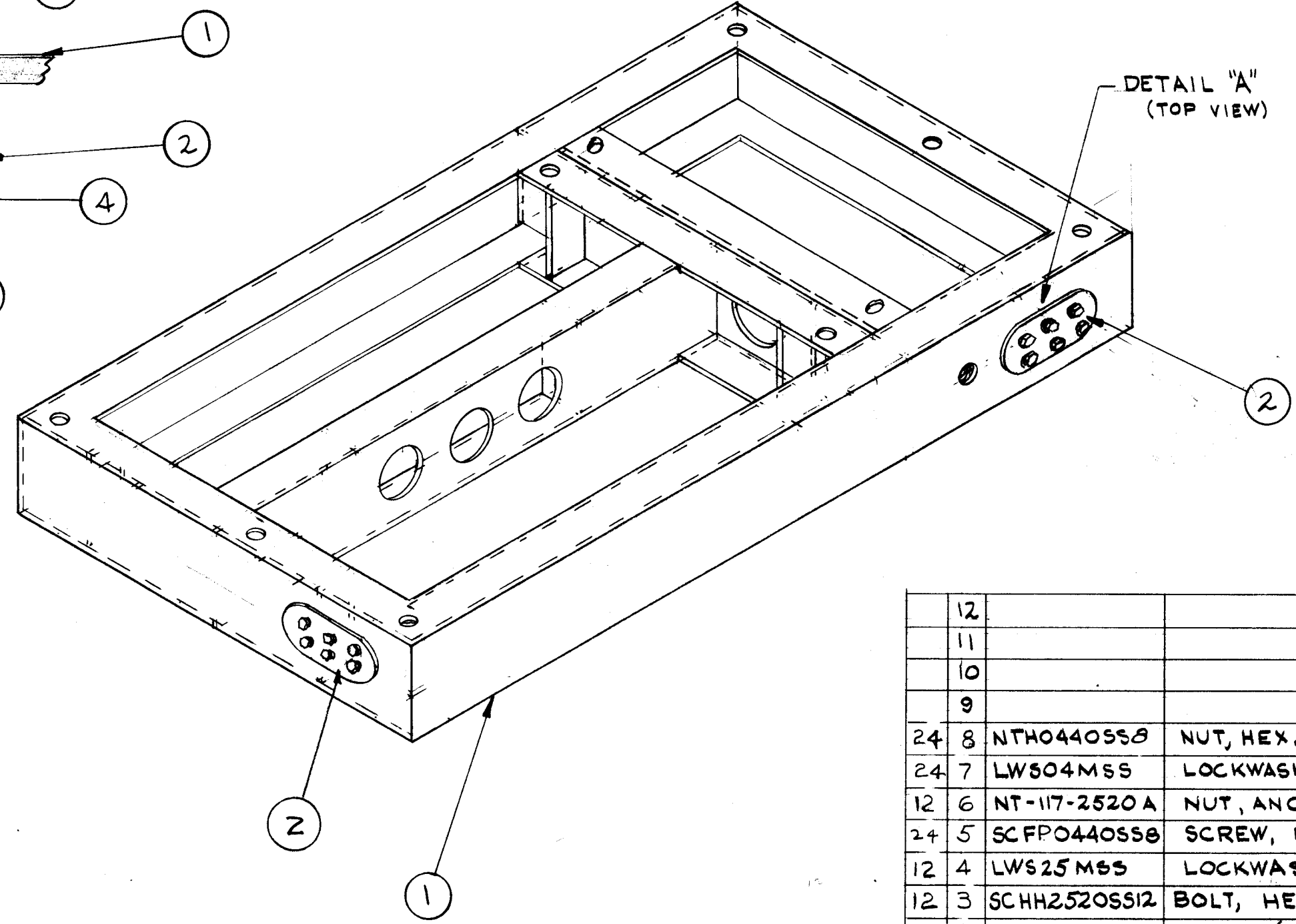


A-1741

B



DETAIL "A"
EXTENDED VIEW



12			
11			
10			
9			
24	8	NTH0440SS8	NUT, HEX.
24	7	LWS04MSS	LOCKWASHER, SPLIT
12	6	NT-117-2520A	NUT, ANCHOR
24	5	SCFPO440SS8	SCREW, MACHINE
12	4	LWS25MSS	LOCKWASHER, SPLIT
12	3	SCHH2520SS12	BOLT, HEX HD.
2	2	MS-1850-S	COVER (RCAF BLUE-GREY)
1	1	MS-145B	BASE (RCAF BLUE-GREY)
REQ. ITEM	PART NO.	DESCRIPTION	SYMBOL
		THE TECHNICAL MATERIEL CORP. MAMARONECK, NEW YORK	
		BASE ASSY	
		MATERIAL	
		TYPE & TEMPER	HEAT TREAT. SPEC.
		DRAWN	CHECKED
		FINAL APPROVAL	
		A-1741 B	
		ELEC. DES. APP. MECH. DES. APP.	

B	4/M P/N REVISED	5-11-72	20683	GE	EP	Q	
A	ITEMS 2-8 DOUBLED	5/1/60	2250	Cy	JHQ	WV	
ISSUE	ITEM	CHANGED FROM	DATE	CH. NO.	DRAFTS	CHECKER	ENG. APP.
TOLERANCES			SCALE:				
DEC. DIM. $\pm 1/64$			MAXIMUM ALLOWABLE TOLERANCES HAVE BEEN DETERMINED AND ANY DEVIATIONS WILL BE CAUSE FOR REJECTION. REMOVE ALL BURRS AND SHARP EDGES				
FRAC. DIM. \pm							
ANGULAR DIM. \pm							
1	REQ. PER UNIT	MODEL	PROJECT NO.	ASS'Y. NO.	DATE	USED ON	
			GPT-10K		11-5-59		