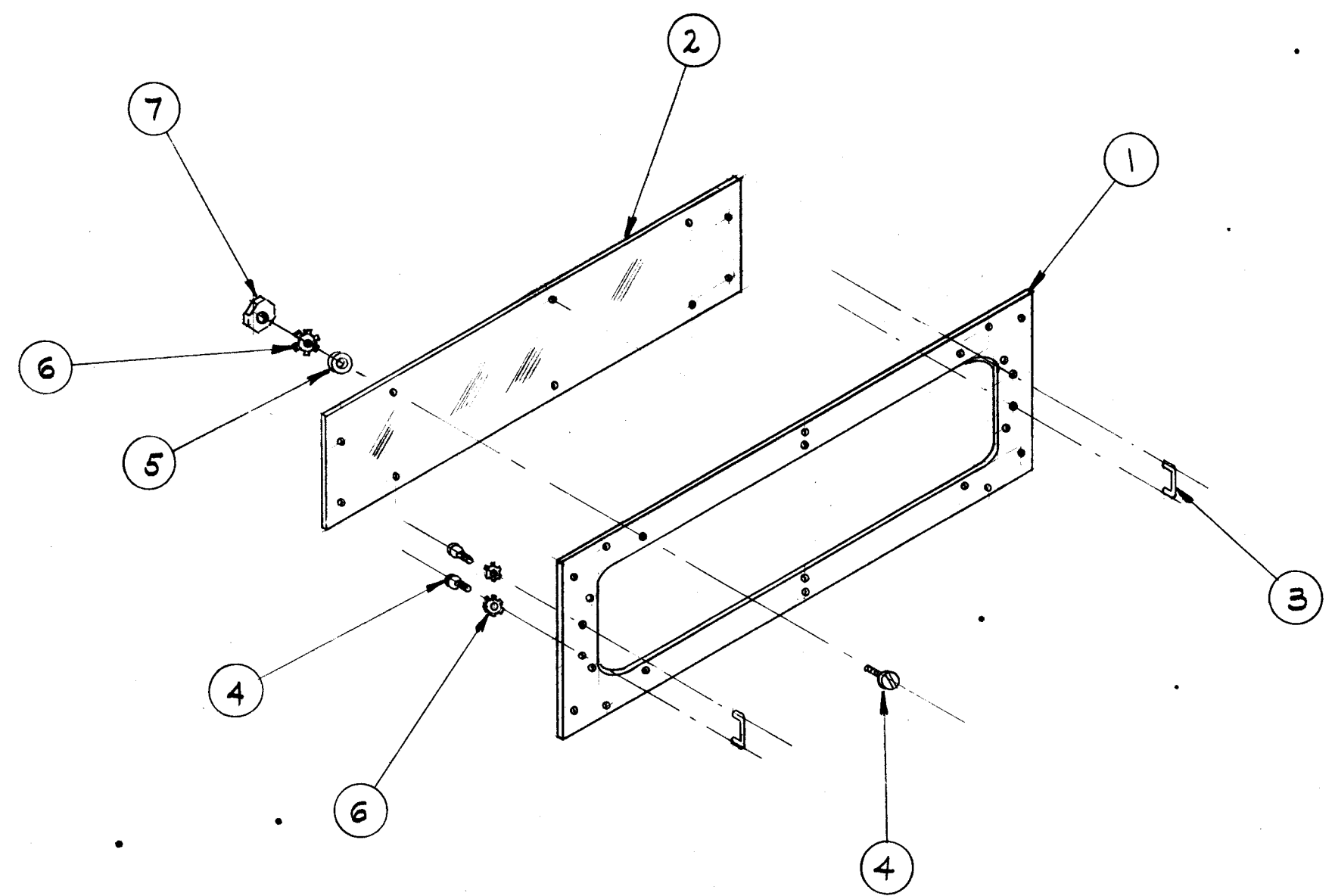


A-1735 B



REQ. ITEM	PART NO.	DESCRIPTION	SYMBOL
10	7	NTH0632BNS NUT, HEX	
14	6	LWEO6MRN LOCKWASHER, EXT.	
10	5	WA-109-35 WASHER, FIBER	
14	4	SCBP0632BN10 SCREW, MACHINE	
2	3	HA-102-1BN HANDLE	
1	2	PX-455 WINDOW, FRONT	
1	1	MS-1555 PANEL, FRONT	

THE TECHNICAL MATERIEL CORP. MAMARONECK, NEW YORK			
PA-WINDOW PANEL			
TYPE & TEMPER		HEAT TREAT. SPEC.	FINISH & SPEC. NO.
DRAWN		CHECKED	FINAL APPROVAL
ELEC. DES. APP.		MECH. DES. APP.	A-1735 B

ISSUE	ITEM	CHANGED FROM	DATE	CH. NO.	DRAFTS	CHECKER	ENG. APP.
B	2	IT#5 WAS WA-109-35	3.25.64	11106	WJB	@	<i>[Signature]</i>
A	1	IT#4 WAS SCBS0632BNS	9/19/60	-			<i>[Signature]</i>
		ITEM 4 WAS RN4					

TOLERANCES		SCALE:	
DEC. DIM. ±		MAXIMUM ALLOWABLE TOLERANCES HAVE BEEN DETERMINED AND ANY DEVIATIONS WILL BE CAUSE FOR REJECTION. REMOVE ALL BURRS AND SHARP EDGES	
FRAC. DIM. ±			
ANGULAR DIM. ±			

REQ. PER UNIT	1	MODEL	GPT-10K	PROJECT NO.	AX-151	ASS'Y. NO.		DATE	
USED ON									