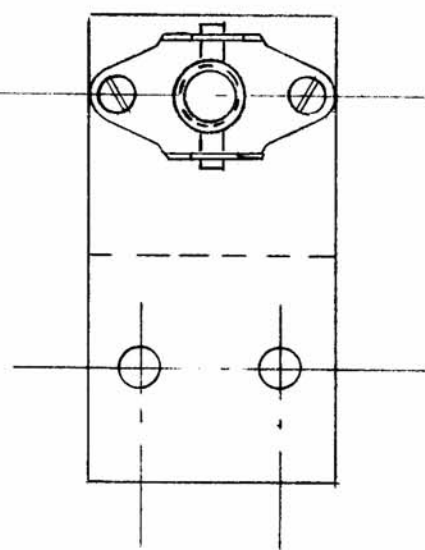
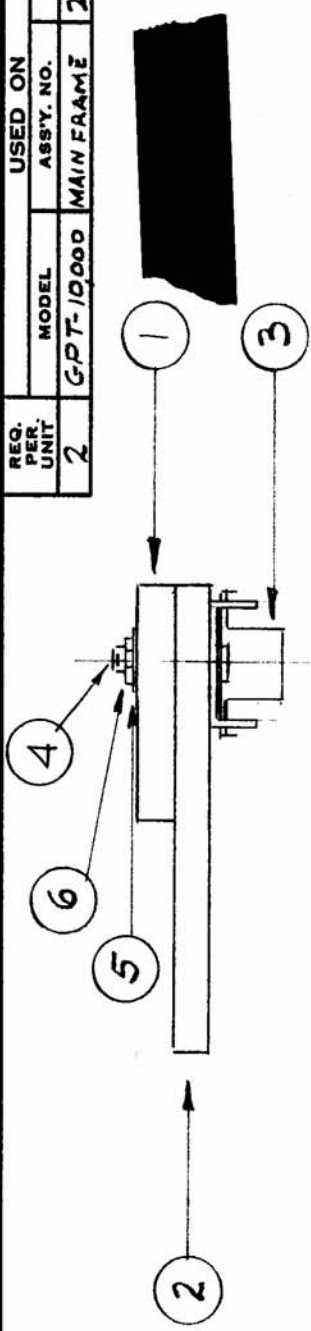


REQ. PER. UNIT	MODEL	USED ON
2	GPT-10000 MAIN FRAME	ASSY. NO. DATE
		1-20-59

A-1643



REQ. ITEM	PART NO.	DESCRIPTION	SYMBOL
2	NTH 0440 BN8	NUT, HEX.	
2	LWE-04-MRN	LOCK-WASHER	
2	SCBS 0440BN10	SCREW	
2	NT-117-3124-B	NUT FLOATING, ANCHOR	
2	PM-555	MOUNTING BRACKET, LATCH	
2	PM-556	SHIM, PANEL, LOCK	

THE TECHNICAL MATERIEL CORP. MAMARONECK, NEW YORK	
PANEL LATCH	
GPT-10K (H.V.R.)	
DESIGNED BY	DATE
DRAWN BY	CHECKED BY
ELECT. DES. APP. MECH. DES. APP.	FINAL APPROVAL
	A-1643

ISSUE ITEM	CHANGED FROM	DATE	CH. NO.	DRAFTS	CHECKER	ENG. APP.
TOLERANCES						
MAXIMUM ALLOWABLE TOLERANCES HAVE BEEN DETERMINED AND ANY DEVIATIONS WILL BE CAUSE FOR REJECTION. REMOVE ALL BURRS AND SHARP EDGES						
DEC. DIM. ±						
FRAC. DIM. ±						
ANGULAR DIM. ±						