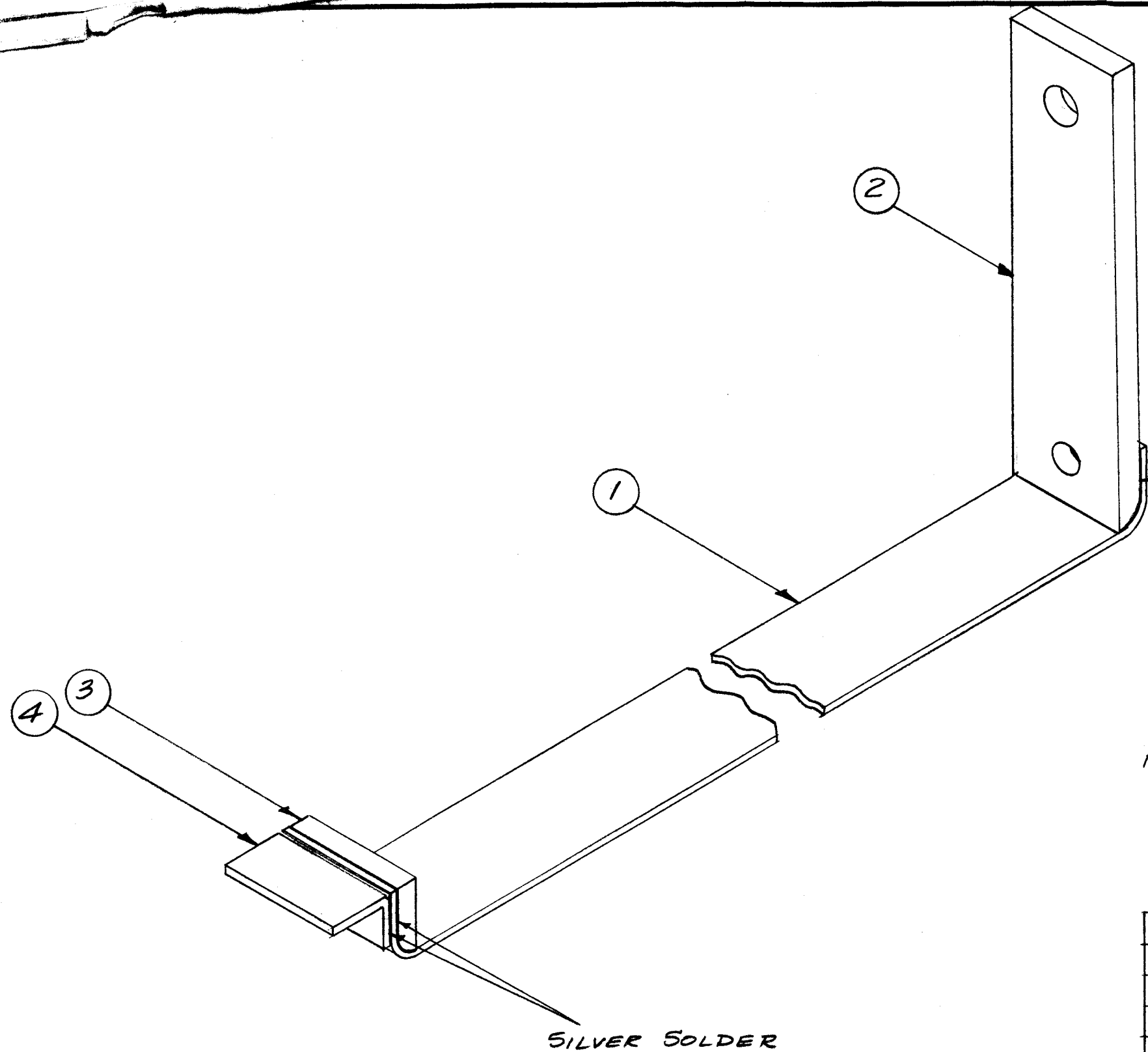


A-1585



NOTICE TO PERSONS RECEIVING THIS DRAWING

THE TECHNICAL MATERIEL CORPORATION claims proprietary right in the material disclosed hereon. This drawing is issued in confidence for engineering information only and may not be reproduced or used to manufacture anything shown hereon without permission from THE TECHNICAL MATERIEL CORPORATION to the user. This drawing is loaned for mutual assistance and is subject to recall at any time.

Property of:
THE TECHNICAL MATERIEL CORPORATION
MAMARONECK, NEW YORK

NOTE- Silver Solder all items As Shown, Keep holes matched.

FINISH:
SILVER PLATE .0005 (S-245)
CLEAR IRIDITE

REQ. ITEM	PART NO.	DESCRIPTION	SYMBOL
X 5	BS-101	SOLDER, SILVER	
1 4	MS-1029	GUARD, STRAP	
1 3	PM-434	END PLATE, STRAP, SMALL	
1 2	PM-508	END PLATE, STRAP	
1 1	MS-1030	STRAP, RESISTOR	
		THE TECHNICAL MATERIEL CORP. MAMARONECK, NEW YORK	
STOCK SIZE		RESISTOR BOTTOM STRAP	
MATERIAL		ASS'Y. (TER-5000-50)	
TYPE & TEMPER		HEAT TREAT. SPEC.	DRAWN
SEE NOTE			CHECKED
FINISH & SPEC. NO.		ELEC. DES. APP.	MECH. DES. APP.

ISSUE	ITEM	CHANGED FROM	DATE	CH. NO.	DRAFTS	CHECKER	ENG. APP.
A	1	PICTORIAL CORRECTED TO CONFORM WITH MS-1028	7-9-63	9472	1	N.P.	[Signature]

REQ. PER UNIT	MODEL	PROJECT NO.	ASS'Y. NO.	DATE
2	TER-5000-50			1-29-62
2	TER-5000-70			1-9-58