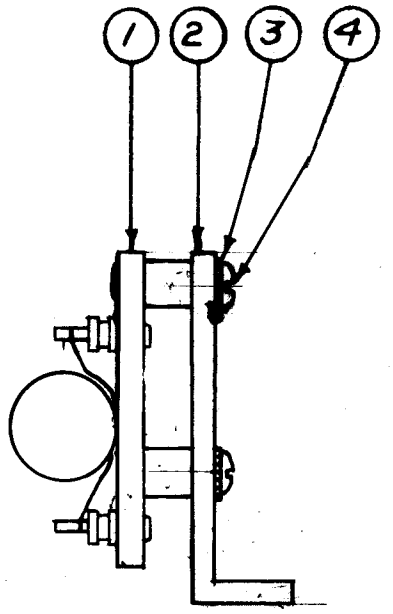
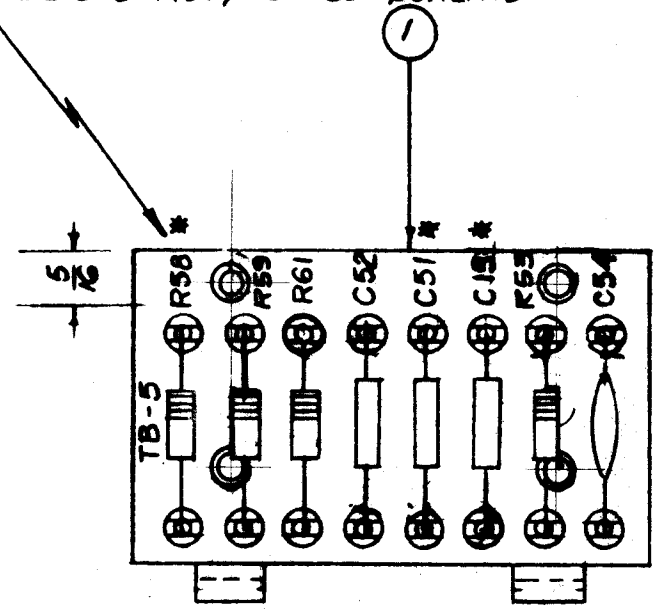


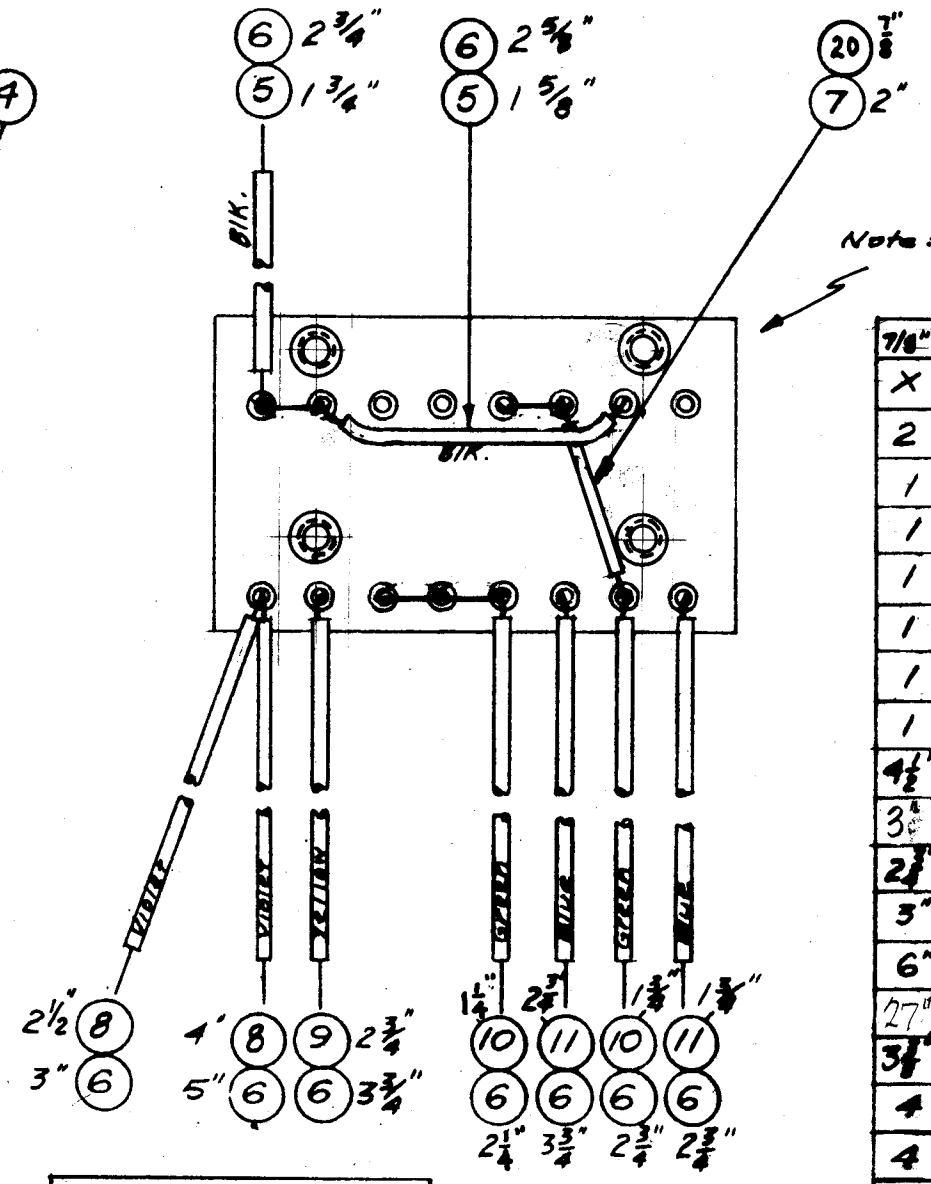
A-1577/D

MARKING PROCESS: AS PER T.M.C SPECIFICATION S-722

Stamping to be 1/8" Black Gothic. Stamp Before Assy. of Components



* Do Not Solder This End of R58, C51, 15 On This Assy.



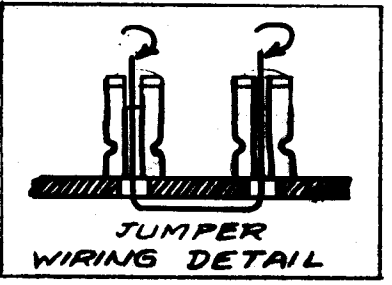
Note: Brackets, Item 2, Deleted from this view for Wiring Clarity.

NOTICE TO PERSONS RECEIVING THIS DRAWING

THE TECHNICAL MATERIEL CORPORATION claims proprietary right in the material disclosed hereon. This drawing is issued in confidence for engineering information only and may not be reproduced or used to manufacture anything shown hereon without permission from THE TECHNICAL MATERIEL CORPORATION to the user. This drawing is loaned for mutual assistance and is subject to recall at any time.

Property of:
THE TECHNICAL MATERIEL CORPORATION
MAMARONECK, NEW YORK

7/8" 20	PX104-1-022	INSULATION, SLEEVING (SIZE 24)	BLK.
X 19	BS-100	Solder, Soft	
2 18	RC20GF474K	Resistor, Fixed, Comp.	R57 R59
1 17	RC20GF473K	Resistor, Fixed, Comp.	R58
1 16	RC20GF391K	Resistor, Fixed, Comp.	R53
1 15	CC215L470K	Capacitor, Fixed, Ceramic	C15
1 14	CC-100-16	Capacitor, Fixed, Ceramic	C54
1 13	CM20D102 J	Capacitor, Fixed, Mica	C52
1 12	CM20D821G	Capacitor, Fixed, Mica	C51
4 1/2 11	PX-104-6-.034	Insulation, Sleeveing (Size 20)	Blue
3 10	PX-104-4-.034	Insulation, Sleeveing (Size 20)	Green
2 9	PX-104-2-.034	Insulation, Sleeveing (Size 20)	Yellow
3 8	PX-104-9-.034	Insulation, Sleeveing (Size 20)	Purple
6 7	WL-100-8	Wire, Buss (Size 24)	
27 6	WL-100-7	Wire, Buss (Size 22)	
3 5	PX-104-1-.034	Insulation, Sleeveing (Size 20)	Black
4 4	SCBS0632B46	Screw, Machine	
4 3	LWE06MRN	Lockwasher, External	
2 2	MS-1321	Bracket, Terminal Board	
1 1	A-1574	Terminal Board No. 5 Sub-Assy	



ISSUE	ITEM	CHANGED FROM	DATE	CH. NO.	DRAFTS	CHECKER	ENG. APP.
D		ON R.M. ST. 20 ADDED. ST. 6 ON WAS 25%; ST. 10 ON WAS 15%	3-24-65	13738	sf.	JCH	[Signature]
C	2	JUMPERS MOVED FROM TOP TO BOTTOM. JUMP. WIRING & COMP. DETAIL REV.	11.10.64	12840	Job	@	[Signature]
B	2	ITEM 4 WAS SCBS0632B46	7-26-60	2650	CLJ	JCH	[Signature]
	1	ITEM 3 WAS LWE06MRN					
A	1	ITEM 12 WAS CM20D681J	10/7/58	461	ave	P.L.K.	[Signature]
	1	NEW ASSY. AS PER CN. NO. 437	9/28/58	437	W	P.L.K.	[Signature]

TOLERANCES		SCALE: FULL
DEC. DIM. ±		MAXIMUM ALLOWABLE TOLERANCES HAVE BEEN DETERMINED AND ANY DEVIATIONS WILL BE CAUSE FOR REJECTION. REMOVE ALL BURRS AND SHARP EDGES
FRAC. DIM. ±		
ANGULAR DIM. ±		

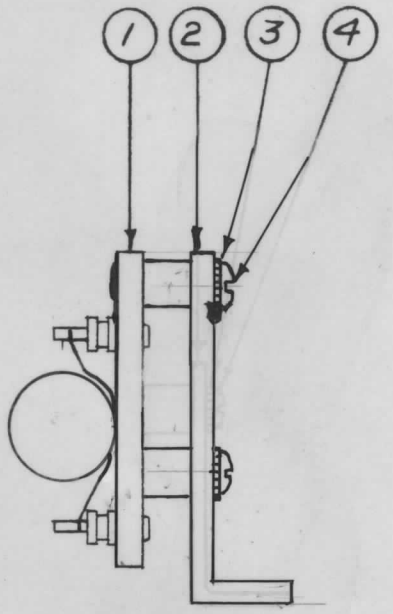
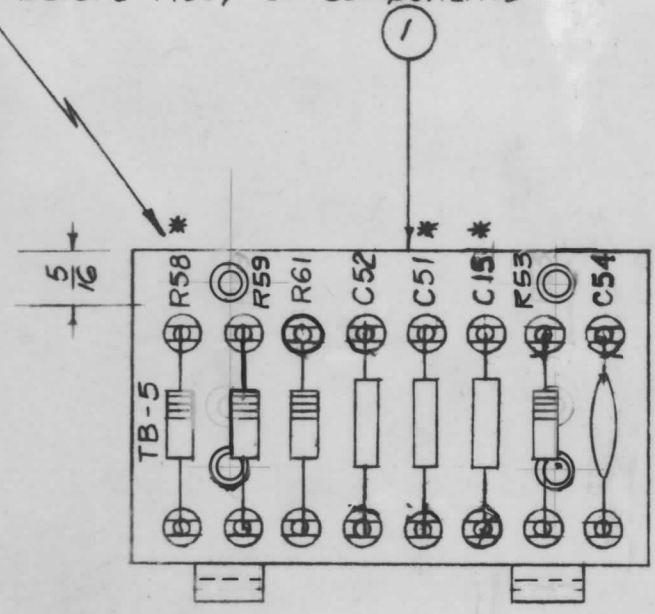
REQ. PER UNIT	MODEL	PROJECT NO.	ASSY. NO.	DATE
1	MSR-4			8-28-58

STOCK SIZE		THE TECHNICAL MATERIEL CORP. MAMARONECK, NEW YORK	
		TERMINAL BOARD NO. 5	
		FINAL ASS'Y. & STAMPING	
		K 9/29/58	
MATERIAL		TYPE & TEMPER	HEAT TREAT. SPEC.
		DRAWN	CHECKED
		FINAL APPROVAL	
		A-1577	
		D	

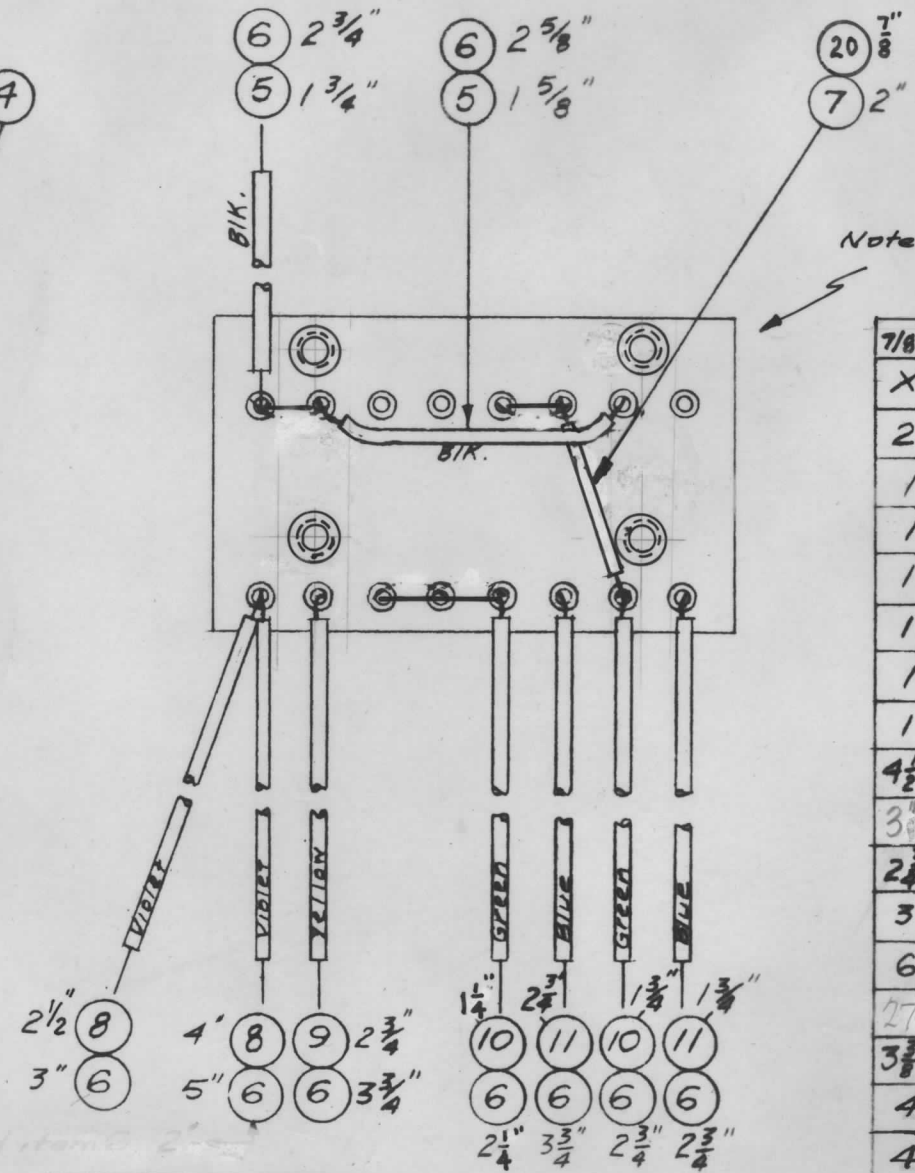
A-1577 D

MARKING PROCESS: AS PER TMC SPECIFICATION S-727

Stamping to be 1/8" Black Gothic. Stamp Before Assy. of Components



* Do Not Solder This End of R58, C51, 15 On This Assy.



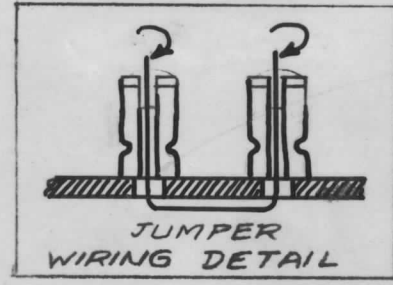
Note: Brackets, item 2, Deleted from this view for Wiring Clarity.

NOTICE TO PERSONS RECEIVING THIS DRAWING

THE TECHNICAL MATERIEL CORPORATION claims proprietary right in the material disclosed hereon. This drawing is issued in confidence for engineering information only and may not be reproduced or used to manufacture anything shown hereon without permission from THE TECHNICAL MATERIEL CORPORATION to the user. This drawing is loaned for mutual assistance and is subject to recall at any time.

Property of:
THE TECHNICAL MATERIEL CORPORATION
MAMARONECK, NEW YORK

7/8"	20	PX104-1-022	INSULATION, SLEEVING (SIZE 24)	BLK.
X	19	BS-100	Solder, Soft	
2	18	RC20GF474K	Resistor, Fixed, Comp.	R61 R59
1	17	RC20GF473K	Resistor, Fixed, Comp.	R58
1	16	RC20GF391K	Resistor, Fixed, Comp.	R53
1	15	CC215L470K	Capacitor, Fixed, Ceramic	C15
1	14	CC-100-16	Capacitor, Fixed, Ceramic	C54
1	13	CM20D102J	Capacitor, Fixed, Mica	C52
1	12	CM20D821G	Capacitor, Fixed, Mica	C51
4 1/2"	11	PX-104-6-.034	Insulation, Sleeveing (Size 20)	Blue
3"	10	PX-104-4-.034	Insulation, Sleeveing (Size 20)	Green
2 3/4"	9	PX-104-2-.034	Insulation, Sleeveing (Size 20)	Yellow
3"	8	PX-104-9-.034	Insulation, Sleeveing (Size 20)	Violet
6"	7	WL-100-8	Wire, Buss (Size 24)	
27"	6	WL-100-7	Wire, Buss (Size 22)	
3 3/4"	5	PX-104-1-.034	Insulation, Sleeveing (Size 20)	Black
4	4	SCBS0632BN6	Screw, Machine	
4	3	LWE06MRN	Lockwasher, External	
2	2	MS-1321	Bracket, Terminal Board	
1	1	A-1574	Terminal Board No. 5 Sub-Assy.	



ISSUE	ITEM	CHANGED FROM	DATE	CH. NO.	DRAFTS	CHECKER	ENG. APP.
D		ON B/M: IT. 20 ADDD. IT. 6 QTY. WAS 25 3/8; IT. 10 QTY. WAS 2 7/8	3-24-65	13738	g.f.	JCB	JCB
C	2	JUMPERS MOVED FR. TOP TO BOT. JUMP. WIRING & COMP. DETAIL REV.	11.10.64	12840	lrb	@	JCB
B	2	ITEM 4 WAS SCBS0632BN6	7-26-60	2650	CU	JCB	JCB
A	1	ITEM 3 WAS LWE06MRC					
	1	ITEM 12 WAS CM20D681J	10/7/58	461	ase	P.L.K.	JCB
	1	NEW ASSY. AS PER CN. NO. 437	8/28/58	437	W	P.L.K.	JCB

DEC. DIM. ±	FRAC. DIM. ±	ANGULAR DIM. ±	TOLERANCES	SCALE: FULL	MAXIMUM ALLOWABLE TOLERANCES HAVE BEEN DETERMINED AND ANY DEVIATIONS WILL BE CAUSE FOR REJECTION. REMOVE ALL BURRS AND SHARP EDGES

REQ. PER UNIT	MODEL	PROJECT NO.	ASSY. NO.	DATE
1	MSR-4			8-28-58

STOCK SIZE	MATERIAL	TYPE & TEMPER	HEAT TREAT. SPEC.	DRAWN	CHECKED	FINAL APPROVAL
				P.L.K.		A-1577