

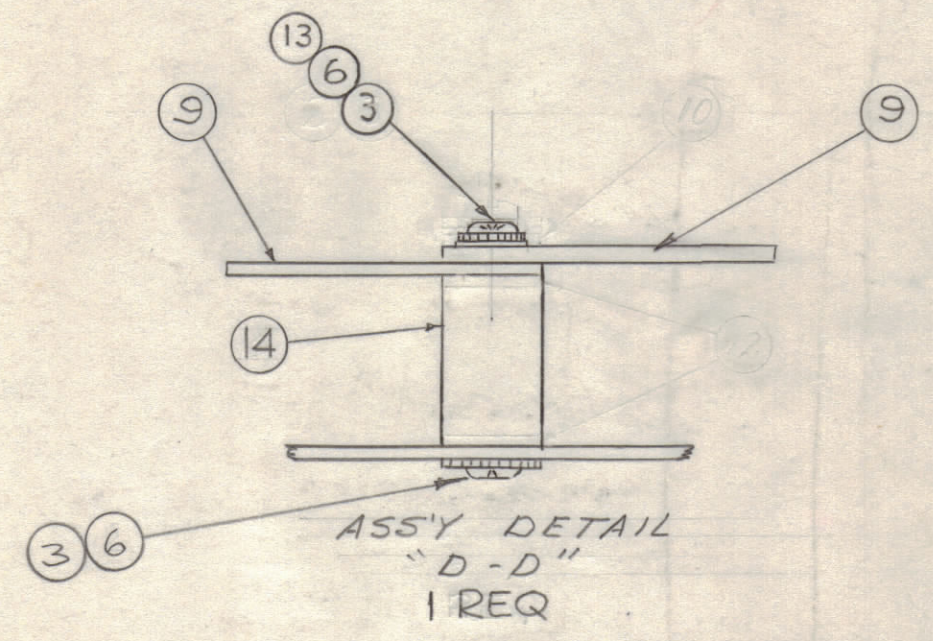
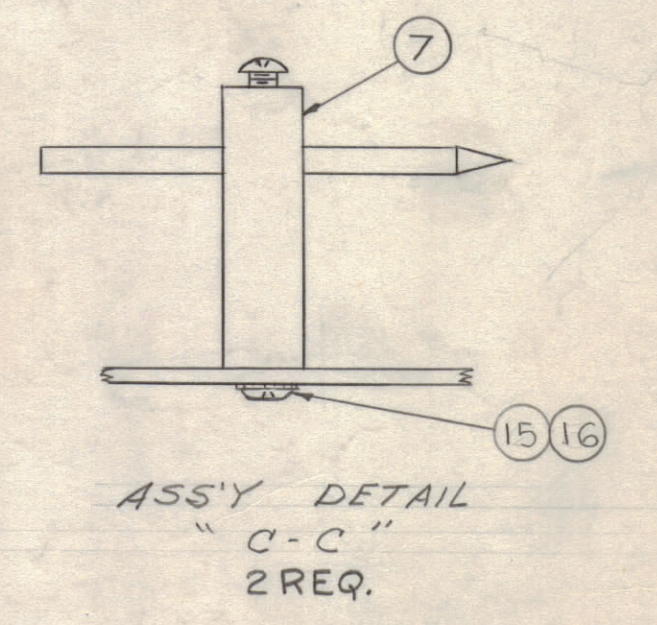
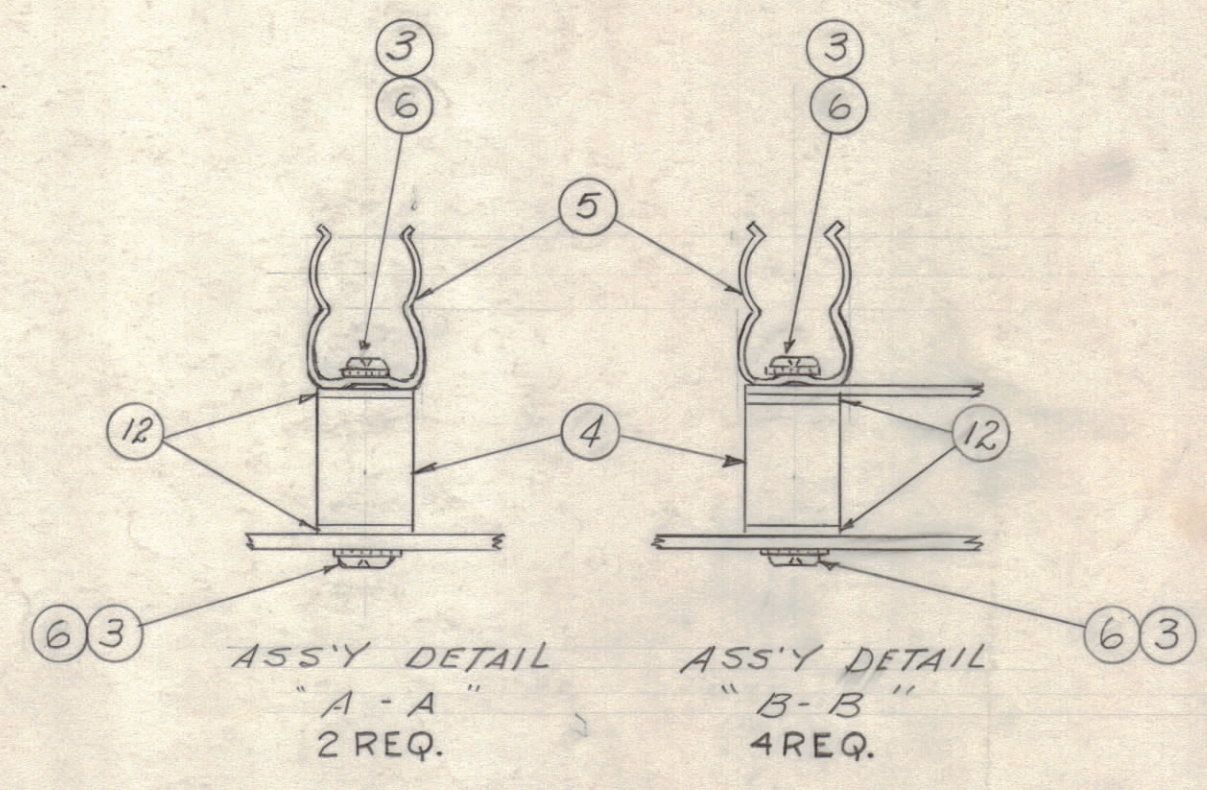
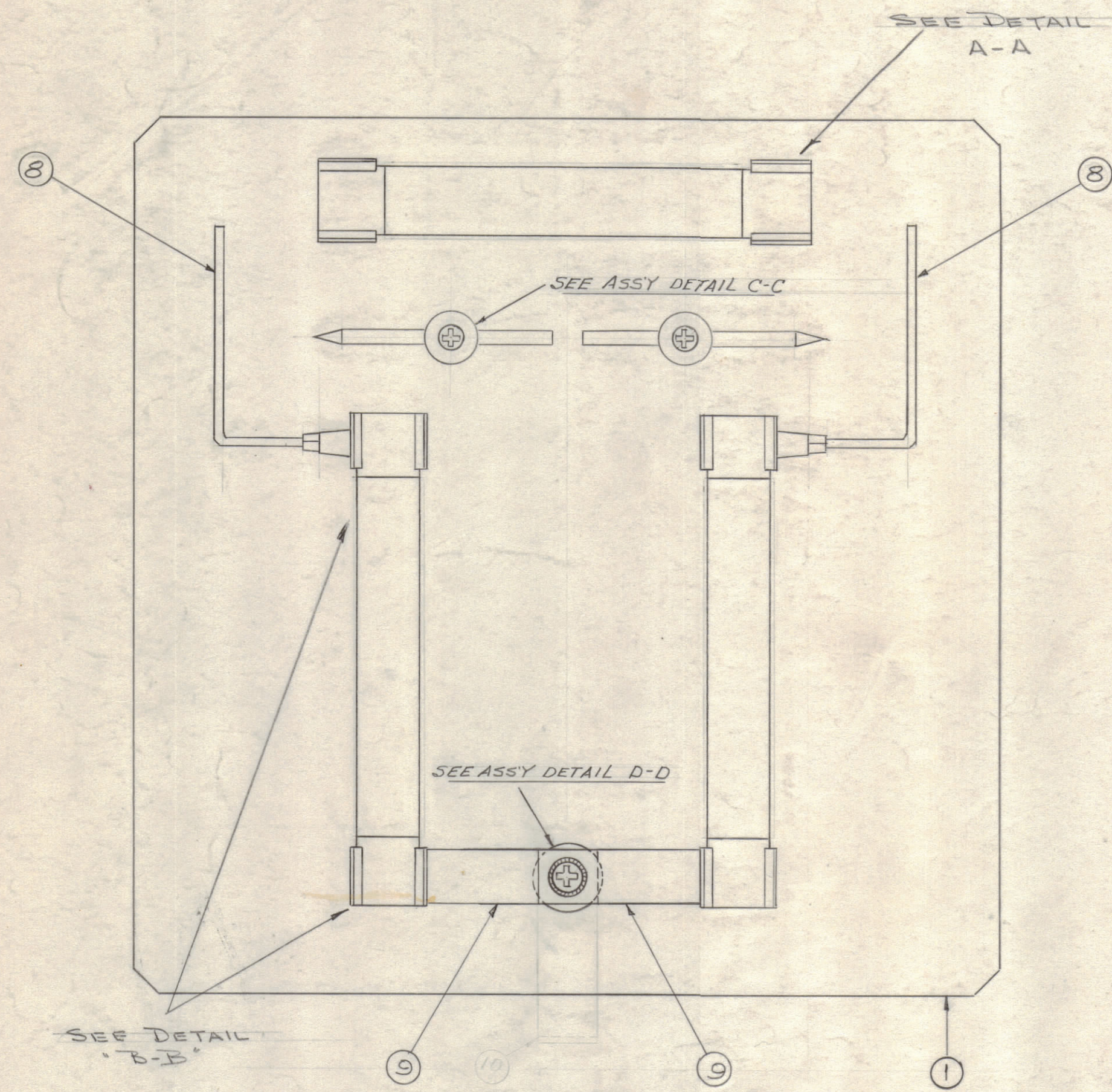
IF IT IS FOUND DESIRABLE TO CHANGE ANY TOLERANCE OR OTHER DETAIL SPECIFIED ON THIS DRAWING NOTIFY THE PURCHASER PROMPTLY.

MAXIMUM ALLOWABLE TOLERANCES HAVE BEEN DETERMINED AND DEVIATIONS WILL BE CAUSE FOR REJECTION. REMOVE ALL BURRS AND SHARP EDGES

NOTICE TO PERSONS RECEIVING THIS DRAWING

THE TECHNICAL MATERIEL CORPORATION claims proprietary right in the material disclosed hereon. This drawing is issued in confidence for engineering information only and may not be reproduced or used to manufacture anything shown hereon without permission from THE TECHNICAL MATERIEL CORPORATION to the user. This drawing is loaned for mutual assistance and is subject to recall at any time.

Property of:
THE TECHNICAL MATERIEL CORPORATION
MAMARONECK, NEW YORK



A-1560 C

2	16	LWE06MRN	LOCKWASHER, EXT	
2	15	SCBP0632BN6	SCREW, MACHINE	
1	14	TE0832AE51R	SPACER, THREADED, 1/2 D. X 1 1/8 LG.	
1	13	FW08HBN	WASHER, FLAT	
12	12	WA-109-46	WASHER, FIBRE	
3	11	RR-115-140	RESISTOR, ASSEMBLY	
		10	DELETED	
2	9	MS-144-1	LINK	
2	8	A-1563-1	LEAD, ASS'Y	
2	7	A-170	LIGHTNING ARRESTOR ASS'Y	
14	6	SCBP0832BN6	SCREW, MACHINE	
6	5	FC-101	CLIP, FUSE	
6	4	NS3W0206	INSULATOR, STAND OFF	
14	3	LWE08MRN	LOCKWASHER, EXTERNAL	
		2	DELETED	
1	1	LD-442 MS-1300	MOUNTING PLATE STAMPING	

C	1	B/M: IT. (1) WAS "RR-133-2, RESISTOR, FIXED"	12-21-64	13040	92		
B	3	PICTORIAL CLARIFIED					
	2	ITEMS (3) & (4) QTY WAS 16, (1) WAS RR-115-140	3-22-63	8604	R		
A	1	ITEMS (15) & (16) ADDED, (4) WAS NS-103					
	5	Item 8 Was A-1563; Items 13-14 Added					
	4	Item 6 Was SCBP0832BN6, 2 REQ.					
	3	Item 4 Was 7 Req; Item 12 Was 3 Req.	11-4-61	5819	56		
	2	Item 3 Was LWE06MRN					
	1	Item 2, SCBS0832BC4 DELETED					

ISSUE	ITEM	CHANGED FROM	DATE	CN. NO.	DRAFTS	CHECKER	ENG. APP.
TOLERANCES		SCALE: <i>cto</i>					
ALL OTHERS	DEC. DIM. ± FRAC. DIM. ± ANGULAR DIM. ±	DRILL, PUNCH, COMMERCIAL STOCK SIZES AND MANUFACTURERS TOLERANCES ARE NOT INCLUDED.					

1	RTB-3			7-30-58
REQ PER UNIT	MODEL	PROJECT NO.	ASS'Y. NO.	DATE
	USED ON			

cto		THE TECHNICAL MATERIEL CORP. MAMARONECK, NEW YORK			
cto		RESISTOR & MOUNTING PLATE			
cto		SUB-ASS'Y			
cto		DRAWN <i>cto</i>		ELEC. DES. APP. <i>cto</i>	
cto		CHECKED <i>cto</i>		FINAL APPROVAL <i>cto</i>	
cto		A-1560 C			