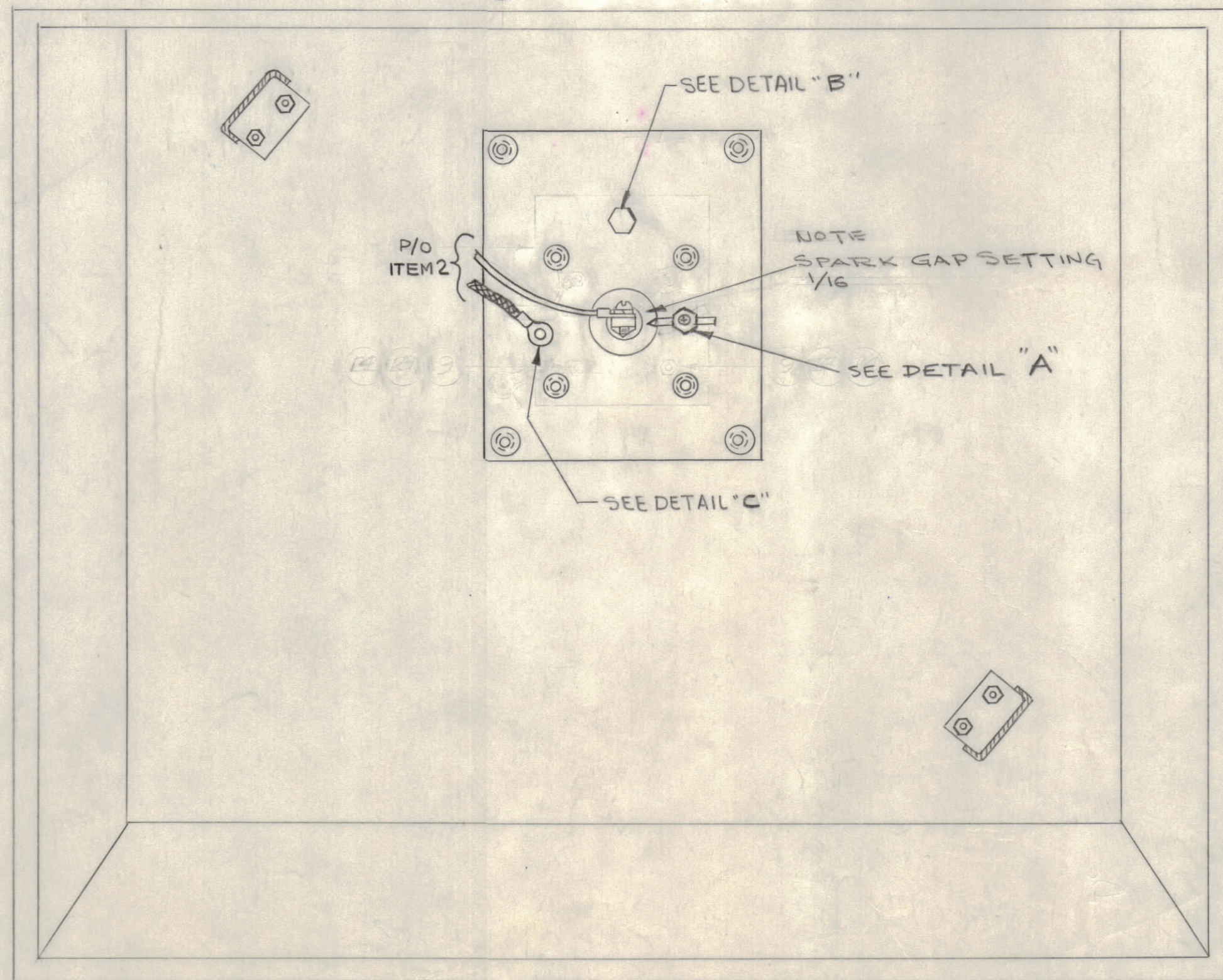
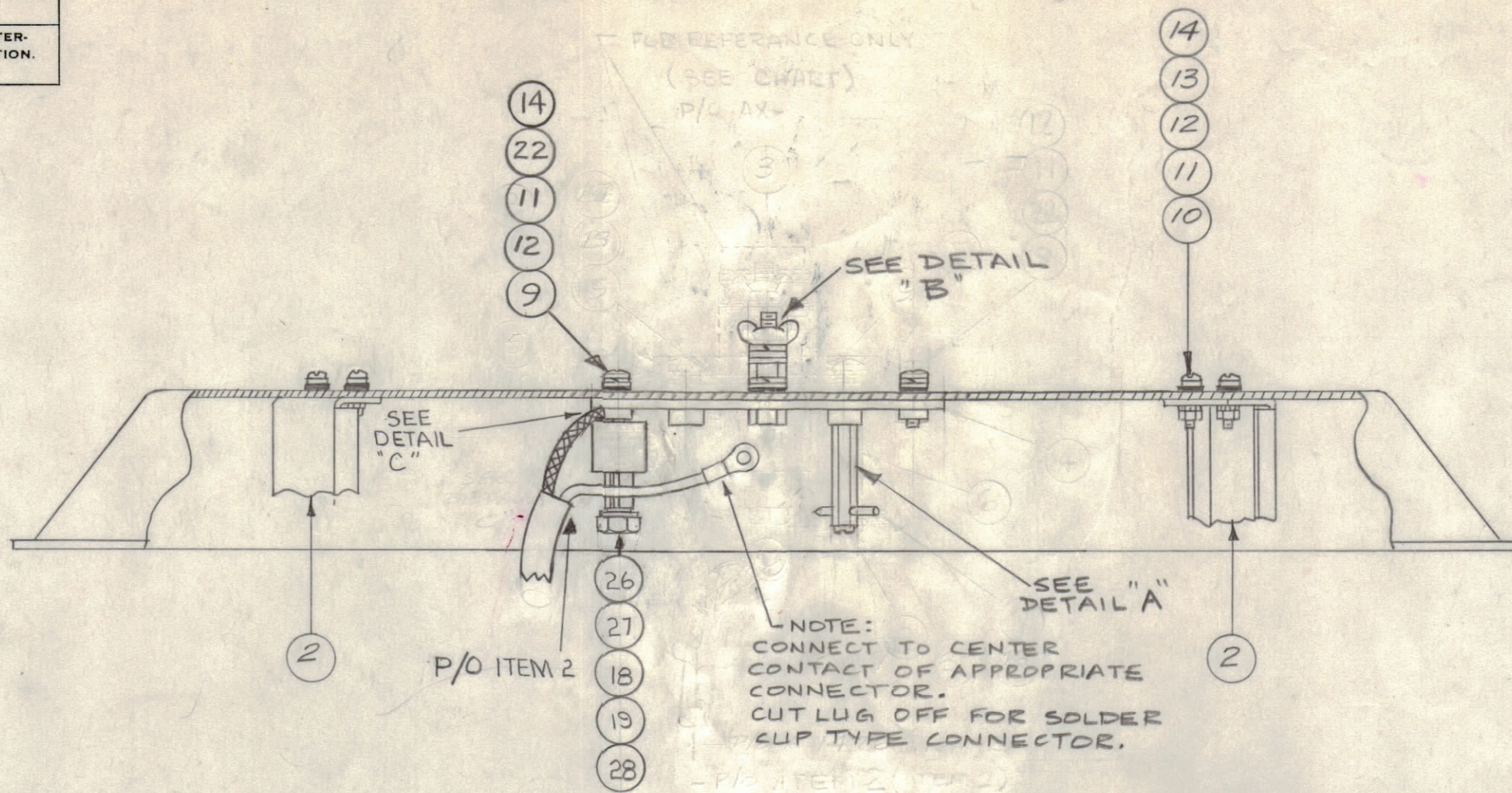
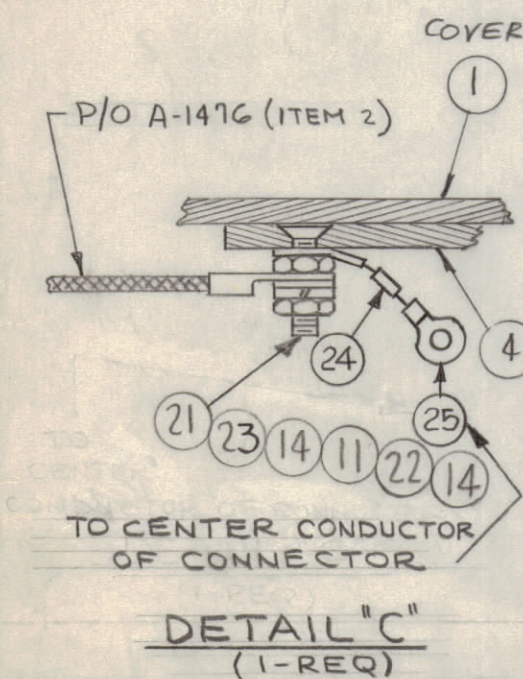
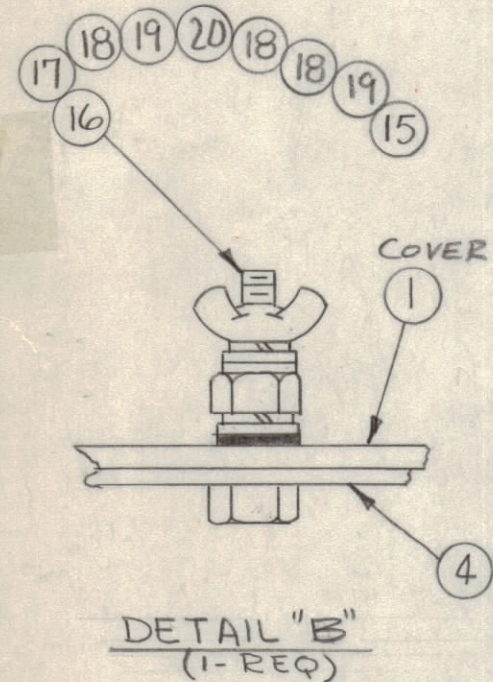
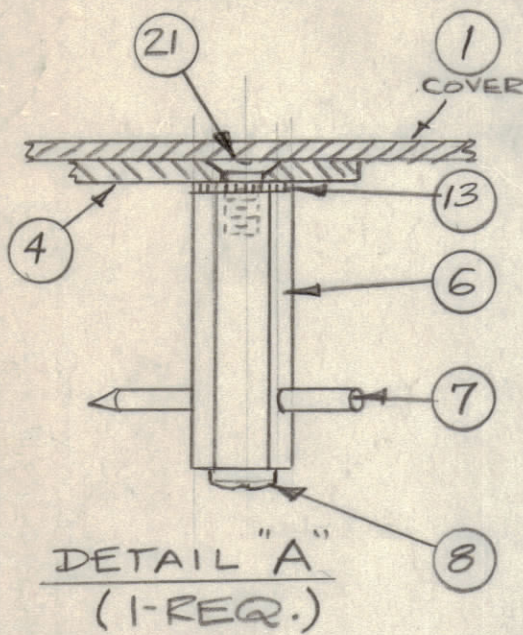
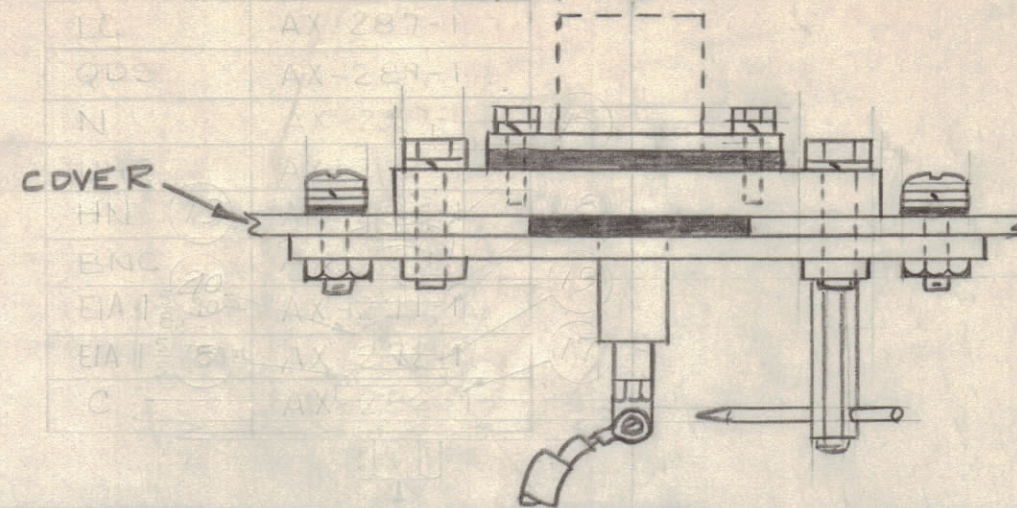


IF IT IS FOUND DESIRABLE TO CHANGE ANY TOLERANCE OR OTHER DETAIL SPECIFIED ON THIS DRAWING NOTIFY THE PURCHASER PROMPTLY.
 MAXIMUM ALLOWABLE TOLERANCES HAVE BEEN DETERMINED AND DEVIATIONS WILL BE CAUSE FOR REJECTION. REMOVE ALL BURRS AND SHARP EDGES



TYPICAL CONN./FLANGE INSTALLATION



TMC PART NO	ITEM 2	USED ON MODEL	USED ON ASSY NO.	IT.24	IT.25
A-1475-1	A-1476	TER-500-70U	A-1474-1	NONE	NONE
A-1475-2	A-1471	TER-3500-70U	A-1474-2	NONE	NONE
A-1475-3	A-4033	TER-3500-50U	A-1474-3	CC109-5	TE141-4

1	28	SCHH2520BN8	SCREW, MACHINE		
1	27	CU102-3	CLAMP "G" TYPE		
1	26	TE2520AE26R	SPACER		
	25	SEE CHART	TERMINAL, LUG - NO 1/4		
	24	SEE CHART	CAPACITOR, FIXED, CER		
	23	TE-104-4	TERMINAL, LUG, LOCKING		
6	22	LWS10MRN	WASHER, LOCK, SPLIT		
2	21	SCFP1032BN8	SCREW, MACHINE		

A-1475 E

1	20	NTH2520BN14	Nut, Hex.		
3	19	LWS25MRN	Washer, Lock, Split		
4	18	FW25HBN	Washer, Flat		
1	17	GA-137-1	Gasket, Neoprene		
1	16	SCHH2520BN16	Bolt, Machine		
1	15	NT110-2520BN	Nut, Wing		
8	14	NTH1032BN12	Nut, Hex.		
5	13	LWE10MRN	Washer, Lock, Ext.		
8	12	GA-137-3	Gasket, Neoprene		
9	11	FW10HBN	Washer, Flat		
4	10	SCBP1032BN8	Screw, Machine		
4	9	SCBP1032BN10	Screw, Machine		
1	8	SCBP0832BN4	Screw, Machine		
1	7	PM-381	Rod, Spark		
1	6	PM-466-1	Post, Spark Rod		
1	5	GA-149-9	Gasket, Neoprene		
1	4	MS-3082	Plate, Conn. Mtg.		
1	3	SEE NOTE	Connector & Plate Assy		
1	2	SEE CHART	Resistor Support Ass'y.		
1	1	PX-386	Cover		

NOTE:
USE APPROPRIATE CONNECTOR ASSY AS INDICATED ON MODEL NO. SUFFIX.
 EXAMPLE:
 TER-500-70U/AX-273-2

REQ PER UNIT	MODEL	PROJECT NO.	ASSY. NO.	DATE
1	TER-3500-50U		A-1474-3	
1	TER-3500-70U		A-1474-2	
1	TER-500-70U		A-1474-1	

REQ.	ITEM	PART NO.	DESCRIPTION	SYMBOL
THE TECHNICAL MATERIEL CORP. MAMARONECK, NEW YORK				
COVER ASSEMBLY				
TER-500-70				
TYPE & TEMPER		K10-24-57		
HEAT TREAT. SPEC.		DRAWN		
FINISH & SPEC. NO.		CHECKED		
		FINAL APPROVAL		
		A-1475 E		

ISSUE	ITEM	CHANGED FROM	DATE	CN. NO.	DRAFTS	CHECKER	ENG. APP.
E		CHGD IT.12 FR GA137-2 TO-3. QTY IT.14 WAS 4. QTY IT.19 WAS 2. ADD IT.26, 27, & 28. REVISE CONN. FLANG PICT COMP	25-66	16786	RME	gpb	gpb

SCALE: 1/2

ALL OTHERS: DEC. DIM. ±, FRAC. DIM. ±, ANGULAR DIM. ±

DRILL, PUNCH, COMMERCIAL STOCK SIZES AND MANUFACTURERS TOLERANCES ARE NOT INCLUDED.