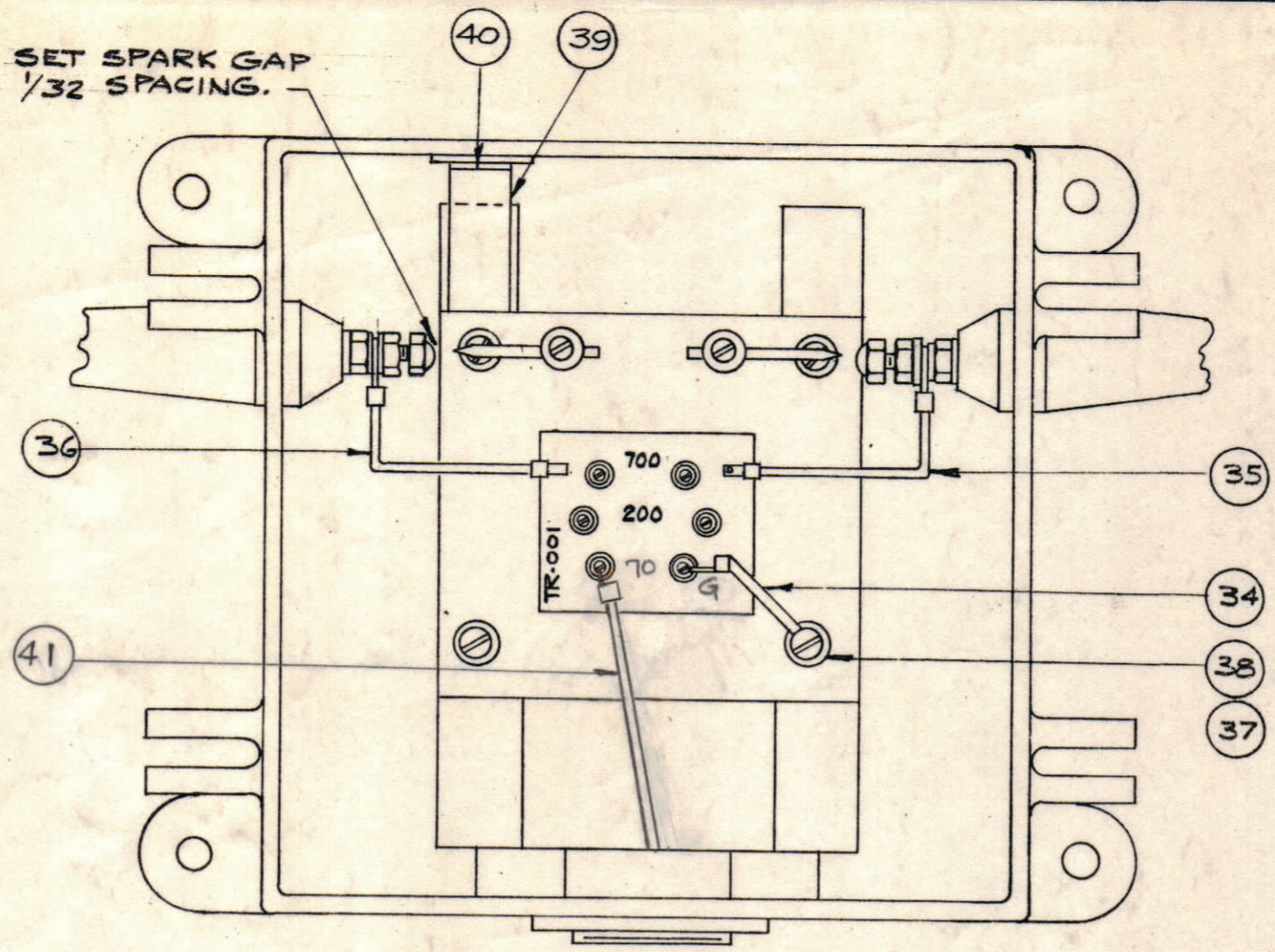
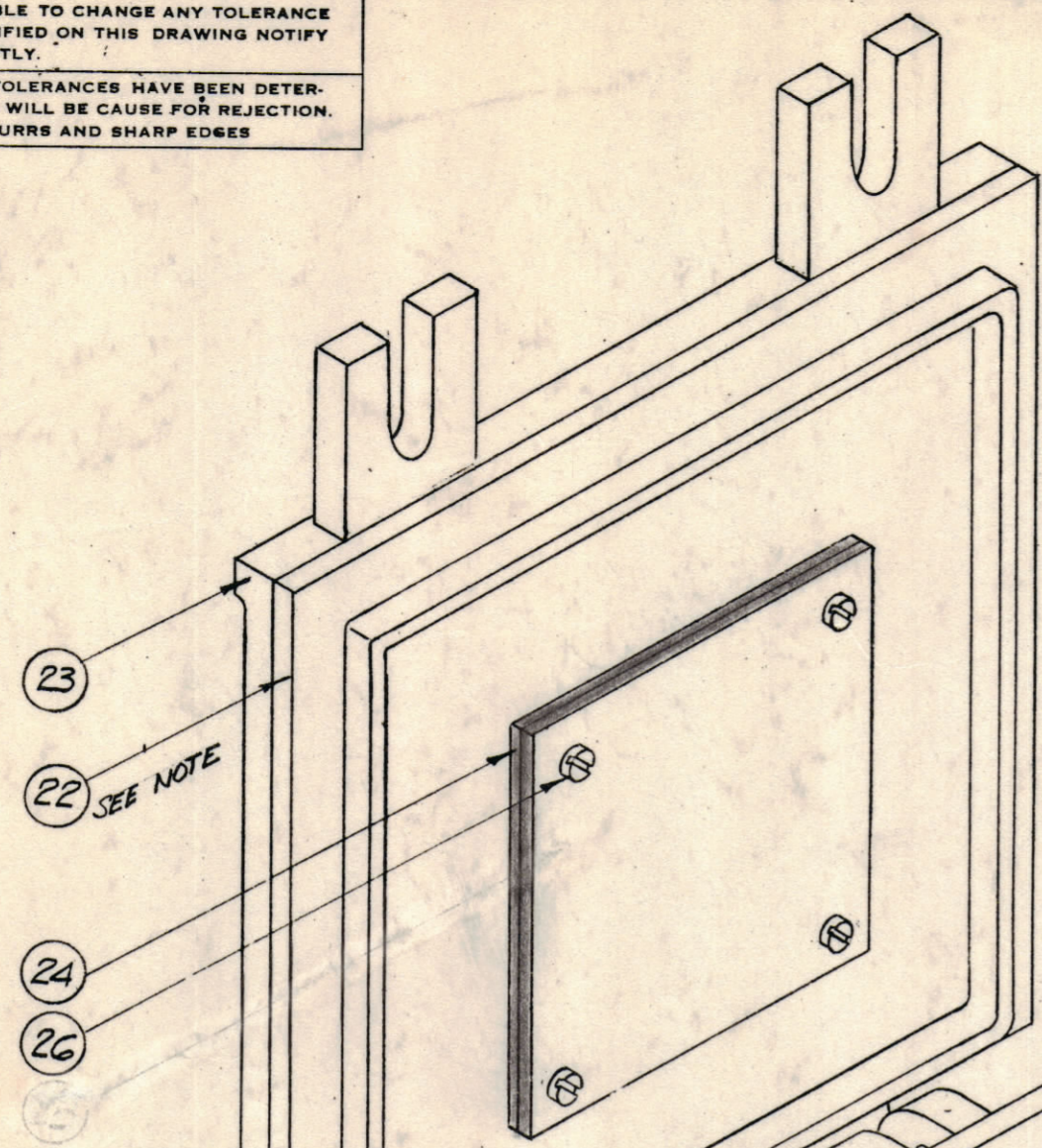


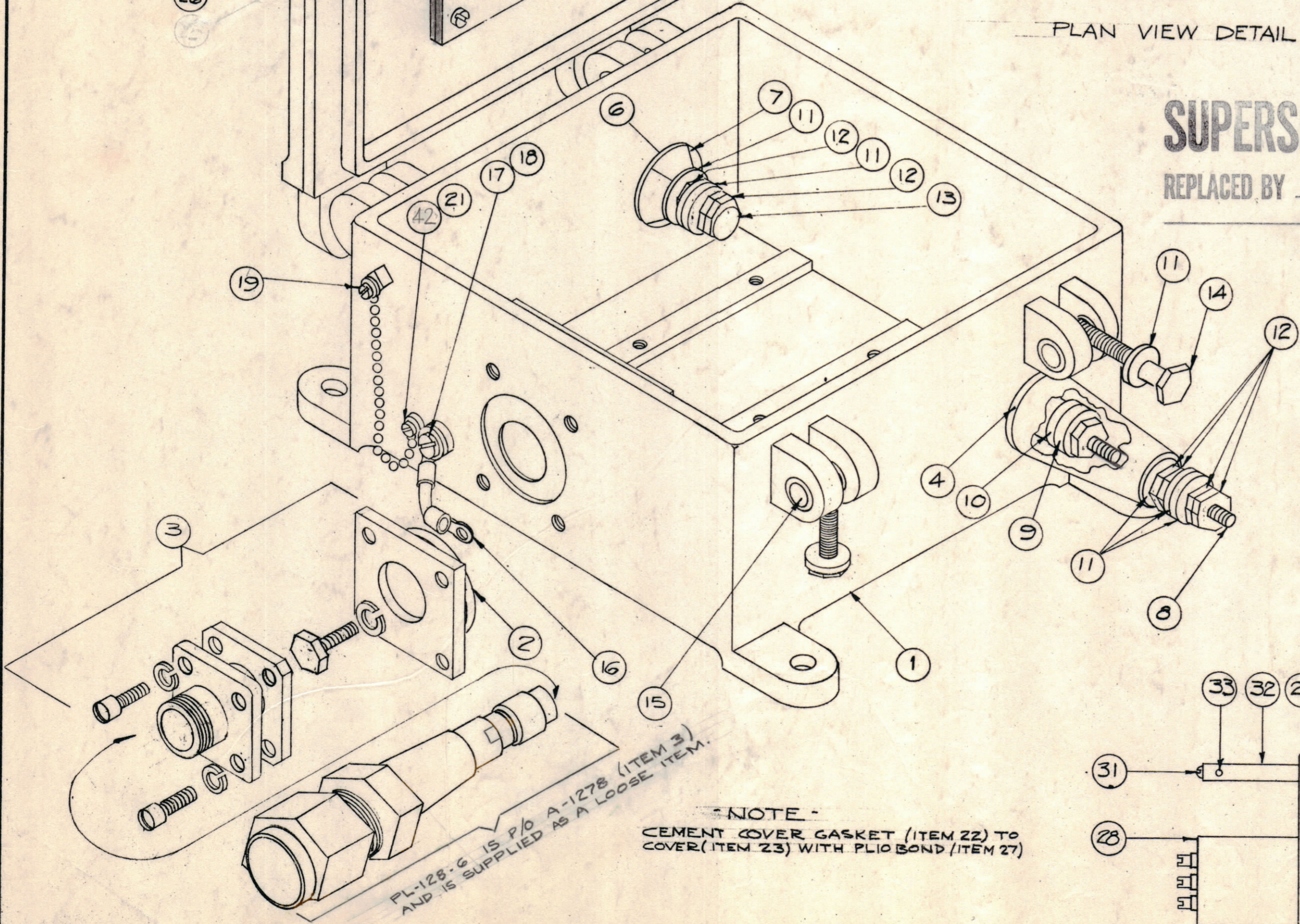
IF IT IS FOUND DESIRABLE TO CHANGE ANY TOLERANCE OR OTHER DETAIL SPECIFIED ON THIS DRAWING NOTIFY THE PURCHASER PROMPTLY.

MAXIMUM ALLOWABLE TOLERANCES HAVE BEEN DETERMINED AND DEVIATIONS WILL BE CAUSE FOR REJECTION. REMOVE ALL BURRS AND SHARP EDGES



PLAN VIEW DETAIL

SUPERSEDED
REPLACED BY A-3080-1

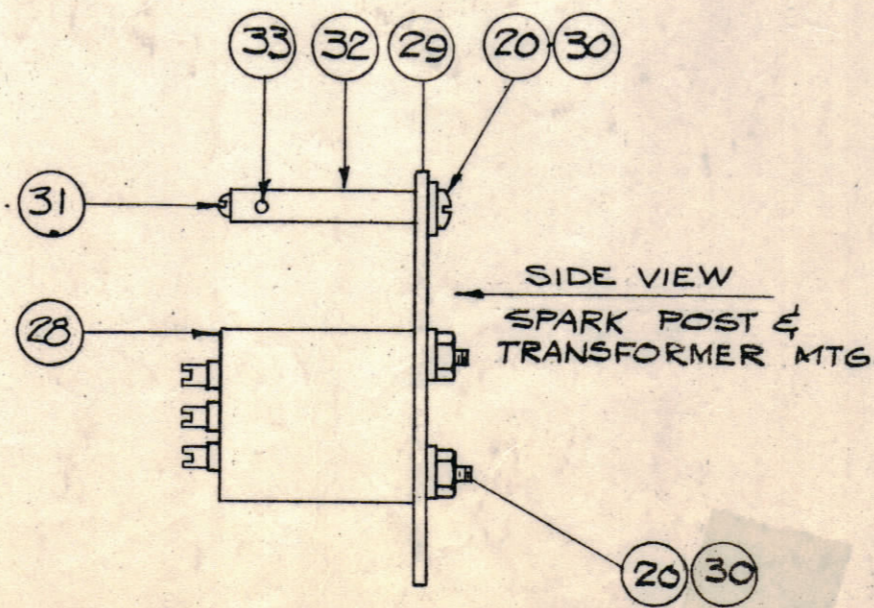


NOTE -
CEMENT COVER GASKET (ITEM 22) TO COVER (ITEM 23) WITH PLIO BOND (ITEM 27) AND IS SUPPLIED AS A LOOSE ITEM.

1	42	LWE06MSS	LOCKWASHER, EXTERNAL TOOTH
1	41	A-876	CONNECTOR, COAX. ASS'Y.
2	40	AD-101-1/6	DESSICANT
1	39	MS-933	HOLDER, DESSICANT
4	38	LWS10MRC	WASHER, LOCKING
4	37	SCBS0832BC6	SCREW, MACHINE
1	36	A-849	CONNECTOR, INSULATOR, LEFT.
1	35	A-848	CONNECTOR, INSULATOR, RT.
1	34	A-850	CONNECTOR, GND. ASS'Y.
2	33	PM-103	ROD, SPARK
2	32	PM-102	POST, SPARK ROD
4	31	SCBS0632BC6	SCREW, MACHINE
1	30	NTH0632BC8	NUT, HEX
1	29	MS-100	PLATE, MOUNTING
1	28	TR-001	TRANSFORMER, R.F.
X	27	GL-101-2	CEMENT, PLIOBOND
4	26	SC-102-1	SCREW, THREAD CUTTING
+	25		DELETED
1	24	LD-382	SCHEMATIC DIAGRAM
1	23	PM-105	COVER
1	22	GA-103	GASKET, COVER
1	21	SCBS0632SS3	SCREW, MACHINE

A-1465 B

6	20	LWE06MRC	WASHER, LOCKING
1	19	A-1291	DRAIN, PLUG ASSY.
1	18	SCBS1032SS4	SCREW, MACHINE
1	17	LWS10MSS	WASHER, LOCKING
1	16	A-1164	GROUND STRAP ASSY.
4	15	PM-100	PIN, COVER, BOLT
4	14	SC-108-9	BOLT, HEX
2	13	NTH2520BCL	NUT, CAP
12	12	NTH2520SSW	NUT, HEX.
20	11	FW25MSS	WASHER, FLAT
2	10	FW25LBC	WASHER, FLAT
2	9	GA-104	GASKET
2	8	A-100	STUD, SUB-ASSY.
2	7	NS-101	INSULATOR, INSIDE
2	6	GA-101	GASKET, INSIDE
2	5	NS-100	INSULATOR, OUTSIDE
2	4	GA-100	GASKET, OUTSIDE
1	3	A-1278	MOUNTING PLATE CONNECTOR
1	2	GA-102	GASKET
1	1	PM-106	CASE



SIDE VIEW
SPARK POST & TRANSFORMER MTG.

ISSUE	ITEM	CHANGED FROM	DATE	CN. NO.	DRAFTS	CHECKER	ENG. APP.	
TOLERANCES								
ALL OTHERS	DEC. DIM. ±	FRAC. DIM. ±	ANGULAR DIM. ±	SCALE:				DRILL PUNCH, COMMERCIAL STOCK SIZES AND MANUFACTURERS TOLERANCES ARE NOT INCLUDED.

B	*SUPERSEDED NOTE ADD.	6.9.64	11509	ASB			
A	ITEM 42 DELETED WAS PK115, ITEM 42 ADDED	8-20-62	1076	GS			
	ITEM 18 WAS SCBS1032SS6, 20 WAS 8 RE Q.						
ISSUE	CHANGED FROM	DATE	CH. NO.	DRAW	CHECK	ENG	

1	RAC-19	PROJECT NO.	A-1465	ASS'Y. NO.	9-17-57	DATE
REQ PER UNIT	MODEL	PROJECT NO.	ASS'Y. NO.	DATE	USED ON	

REG. ITEM	PART NO.	DESCRIPTION	SYMBOL
THE TECHNICAL MATERIEL CORP. MAMARONECK, NEW YORK			
FINAL ASSEMBLY			
MODEL RAC-19			
9-17-57			
DRAWN		ELEC. DES. APP.	MECH. DES. APP.
CHECKED		FINAL APPROVAL	
A-1465 B			