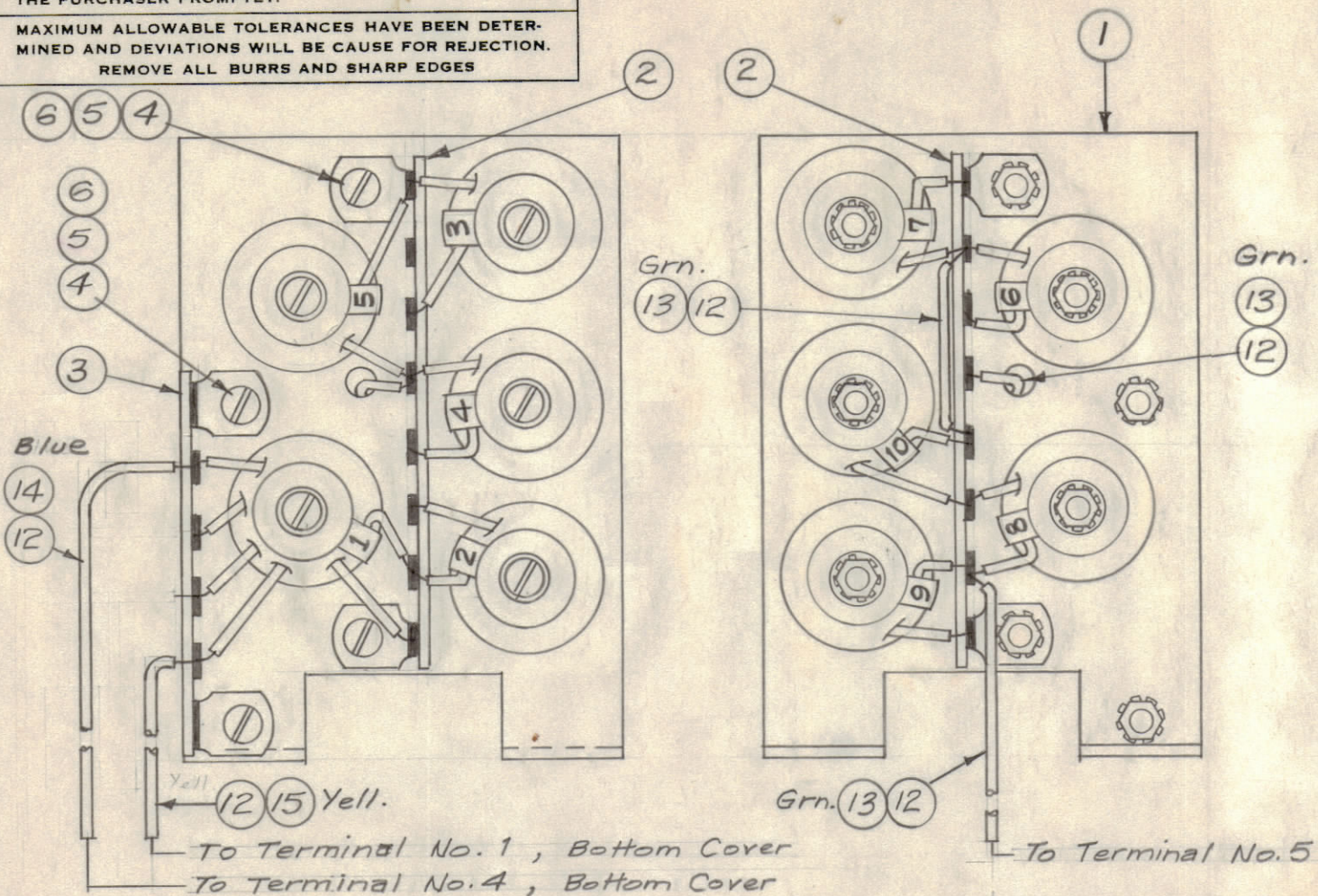
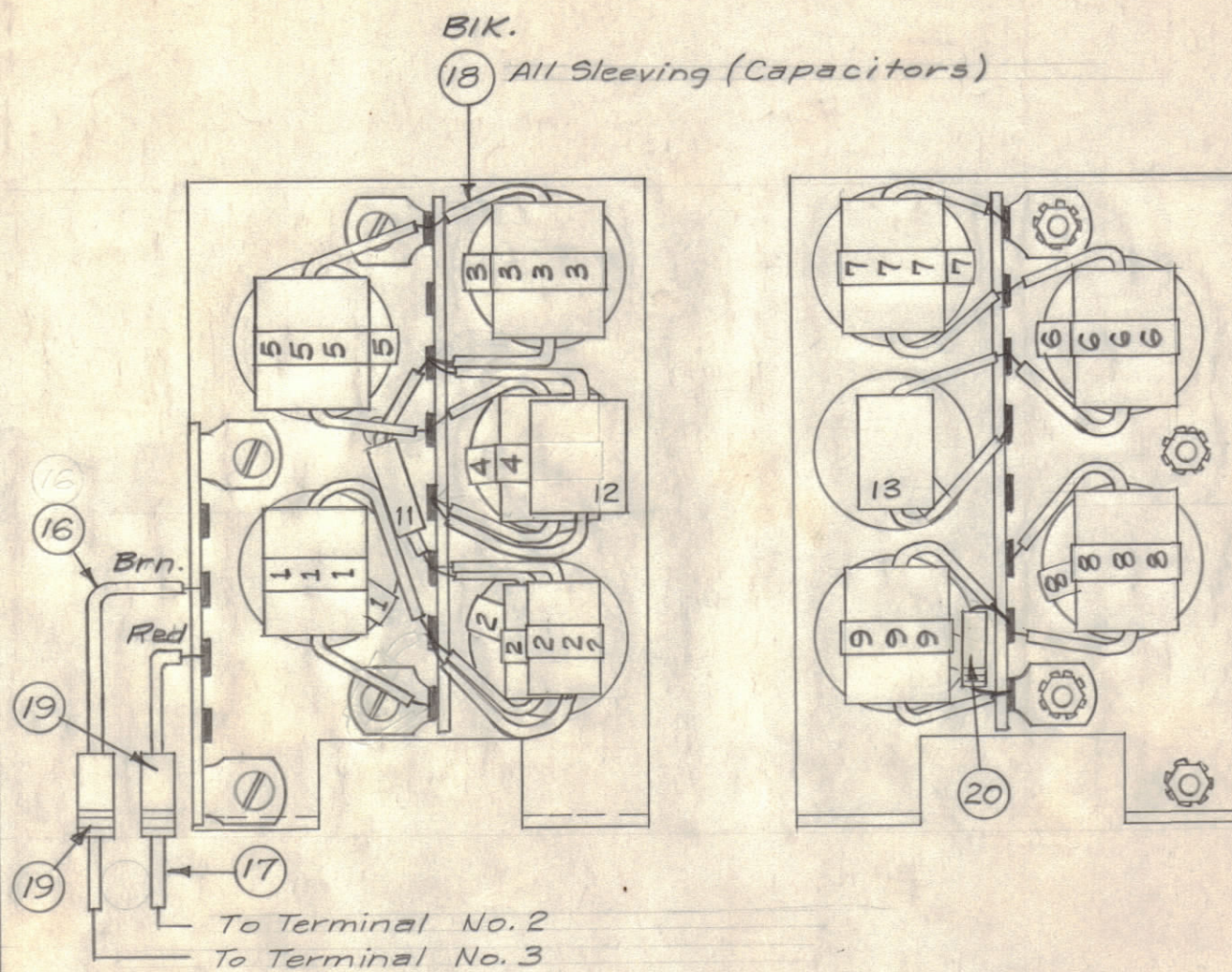


IF IT IS FOUND DESIRABLE TO CHANGE ANY TOLERANCE OR OTHER DETAIL SPECIFIED ON THIS DRAWING NOTIFY THE PURCHASER PROMPTLY.

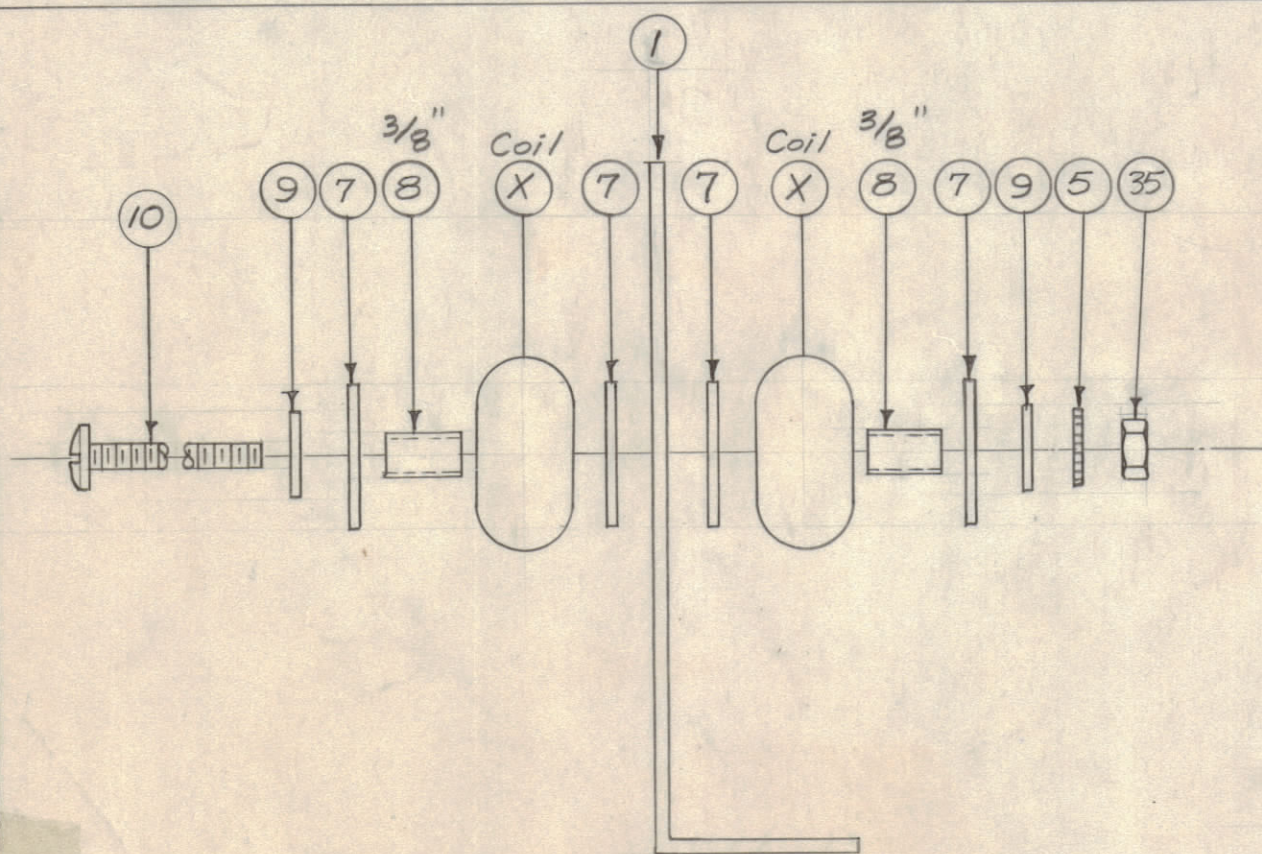
MAXIMUM ALLOWABLE TOLERANCES HAVE BEEN DETERMINED AND DEVIATIONS WILL BE CAUSE FOR REJECTION. REMOVE ALL BURRS AND SHARP EDGES



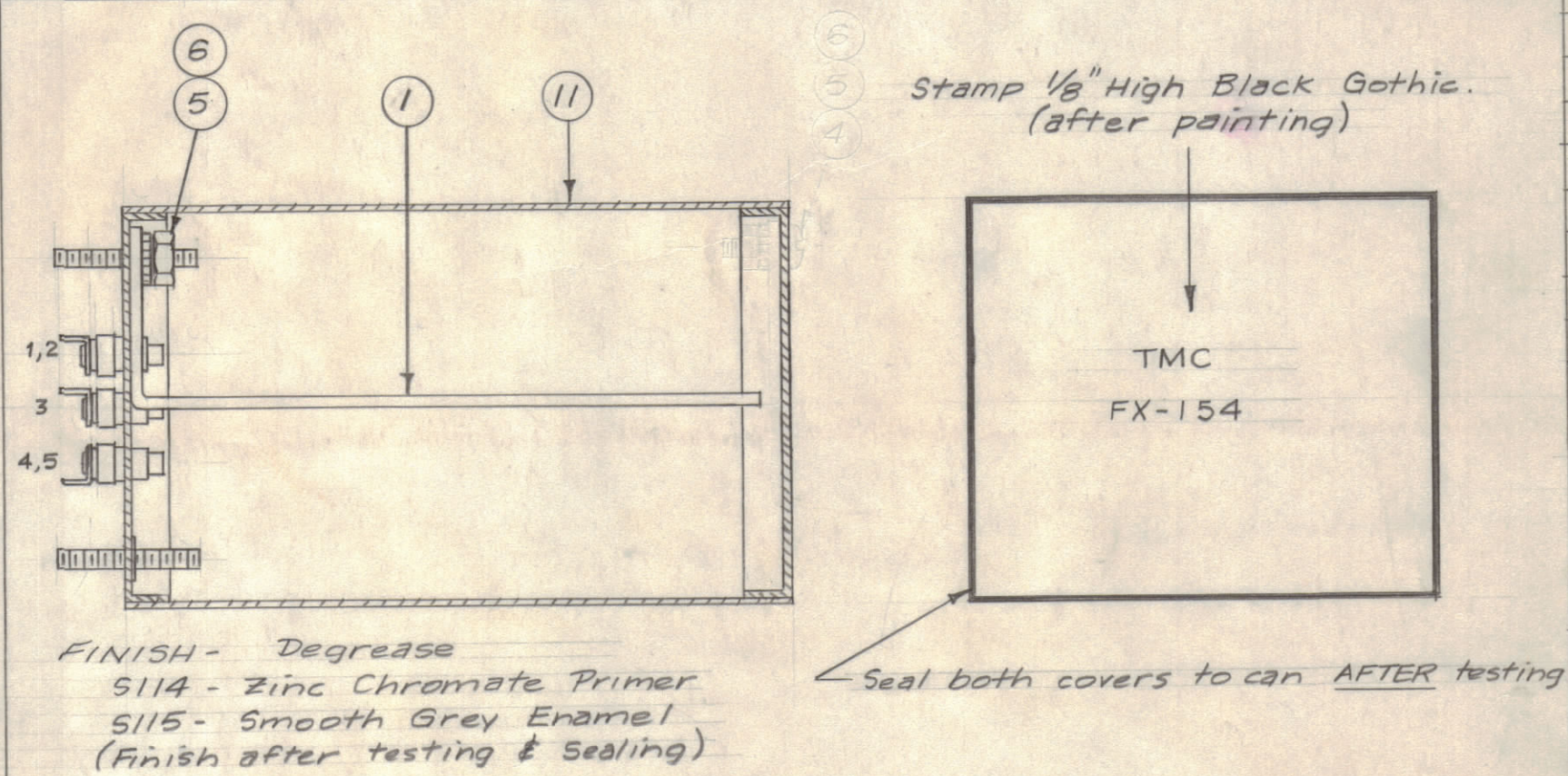
TERMINAL STRIP, COIL & JUMPER ASS'Y. STEP 1



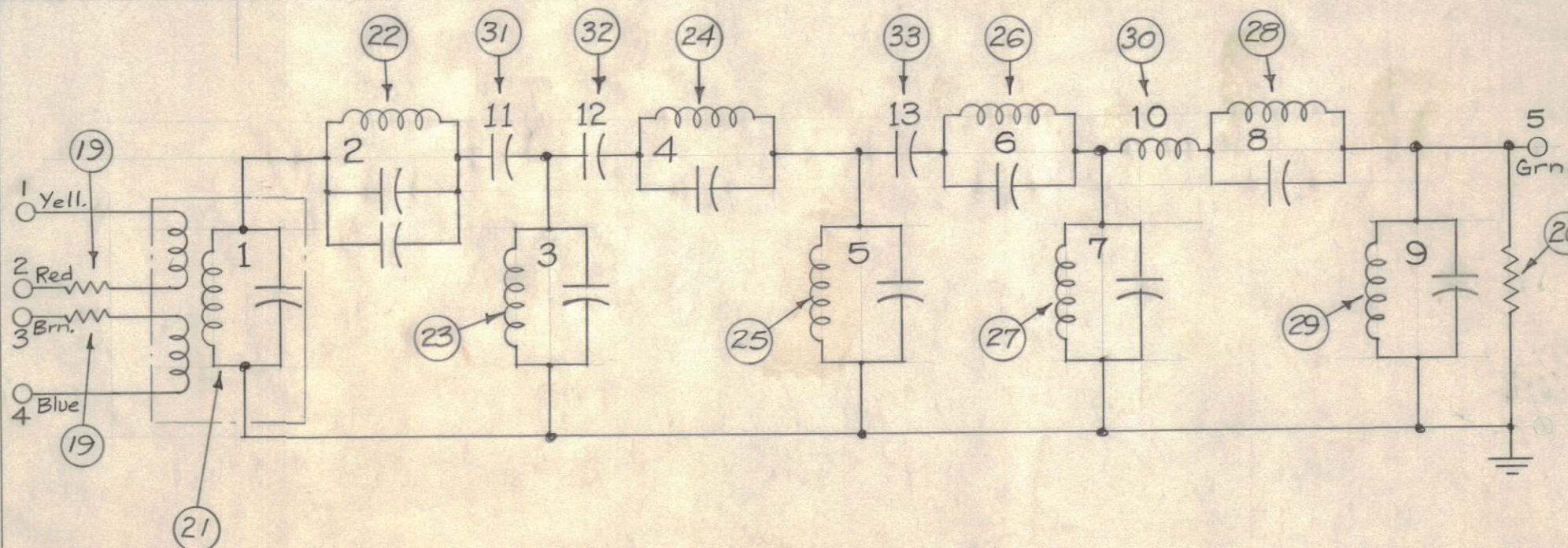
RESISTOR & CAPACITOR ASS'Y. STEP 2



COIL MOUNTING



FINAL ASS'Y.



SCHEMATIC

- ASS'Y. INSTRUCTIONS
- A. Mechanical Ass'y.
1. Assemble bracket to base.
2. Assemble terminal strips to brackets.
3. Connect Jumpers
- B. Electrical Ass'y.
1. Clear work Area.
2. Place on table one of each numbered elements.
3. Separate tuned pairs.
4. Assemble coils to bracket as shown in step 1.
5. After coil leads are aligned, tighten supporting screws.
6. Connect coil leads to proper terminals.
7. Assemble capacitors and resistors to terminal strip as shown in Step 2.
8. Solder all connections.
9. Assemble into can, but DO NOT SEAL.
10. Test in accordance with Test Spec. 5304 & TMC Dwg. FX-154.
11. If unit passes test, seal can, paint all except terminal end and stamp top as shown.
12. If rejected, unit must be checked for proper resonance of elements.

5	35	NTH0632BCB	Nut, Hex	
X	34	BS-100	Solder, Soft	
1	33	CM20E681G	Capacitor, Fixed, Mica	13
1	32	CM20E621G	Capacitor, Fixed, Mica	12
1	31	CM20E431G	Capacitor, Fixed, Mica	11
1	30	A-1423-10	Coil & Capacitor Ass'y.	10
1	29	A-1423-9		9
1	28	A-1423-8		8
1	27	A-1423-7		7
1	26	A-1423-6		6
1	25	A-1423-5		5
1	24	A-1423-4		4
1	23	A-1423-3		3
1	22	A-1423-2		2
1	21	A-1423-1	Coil & Capacitor Ass'y.	1

A-1424

1	20	RC20GF103J	Resistor, Fixed, Comp.	
2	19	RC20GF680J	Resistor, Fixed, Comp.	
X	18	PX-104-1-.034	Insulation, Slewing	BIK.
X	17	PX-104-3-.034		Red
X	16	PX-104-5-.034		Brn.
X	15	PX-104-2-.034		Yell.
X	14	PX-104-6-.034		Blue
X	13	PX-104-4-.034	Insulation, Slewing.	Grn.
X	12	WL-100-7	Wire, Buss 22 Ga.	
1	11	BX-111	Case & Covers	
5	10	SCBS0632BC18	Screw, Machine	
10	9	FW08HBC	Washer, Flat	
3 3/4	8	PX-100-1-.208	Insulation, Slewing	BIK.
20	7	WA-109-56	Washer, Fiber	
6	6	NTH0632BC10	Nut, Hex.	
11	5	LWE06MRC	Lockwasher, Ext.	
4	4	SCBS0632BC6	Screw, Machine	
1	3	TM-117-26	Terminal Strip	
2	2	TM-117-35	Terminal Strip	
1	1	MS-1046	Bracket, Coil Mtg.	

REQ. ITEM	PART NO.	DESCRIPTION	SYMBOL
THE TECHNICAL MATERIEL CORP. MAMARONECK, NEW YORK			
BANDPASS FILTER ASS'Y.			
(LSB) FX-154			
STOCK SIZE		16 6-19-57	
MATERIAL		WEIGHT PER PC.	
TYPE & TEMPER		DRAWN	
HEAT TREAT. SPEC.		ELEC. DES. APP.	
FINISH & SPEC. NO.		MECH. DES. APP.	

ISSUE ITEM	CHANGED FROM	DATE	CN. NO.	DRAFTS	CHECKER	ENG. APP.
TOLERANCES						
SCALE:						
DRILL, PUNCH, COMMERCIAL STOCK SIZES AND MANUFACTURERS TOLERANCES ARE NOT INCLUDED.						

1	FX-154	SBE-1	6-19-57
REQ PER UNIT	MODEL	PROJECT NO.	DATE
USED ON			