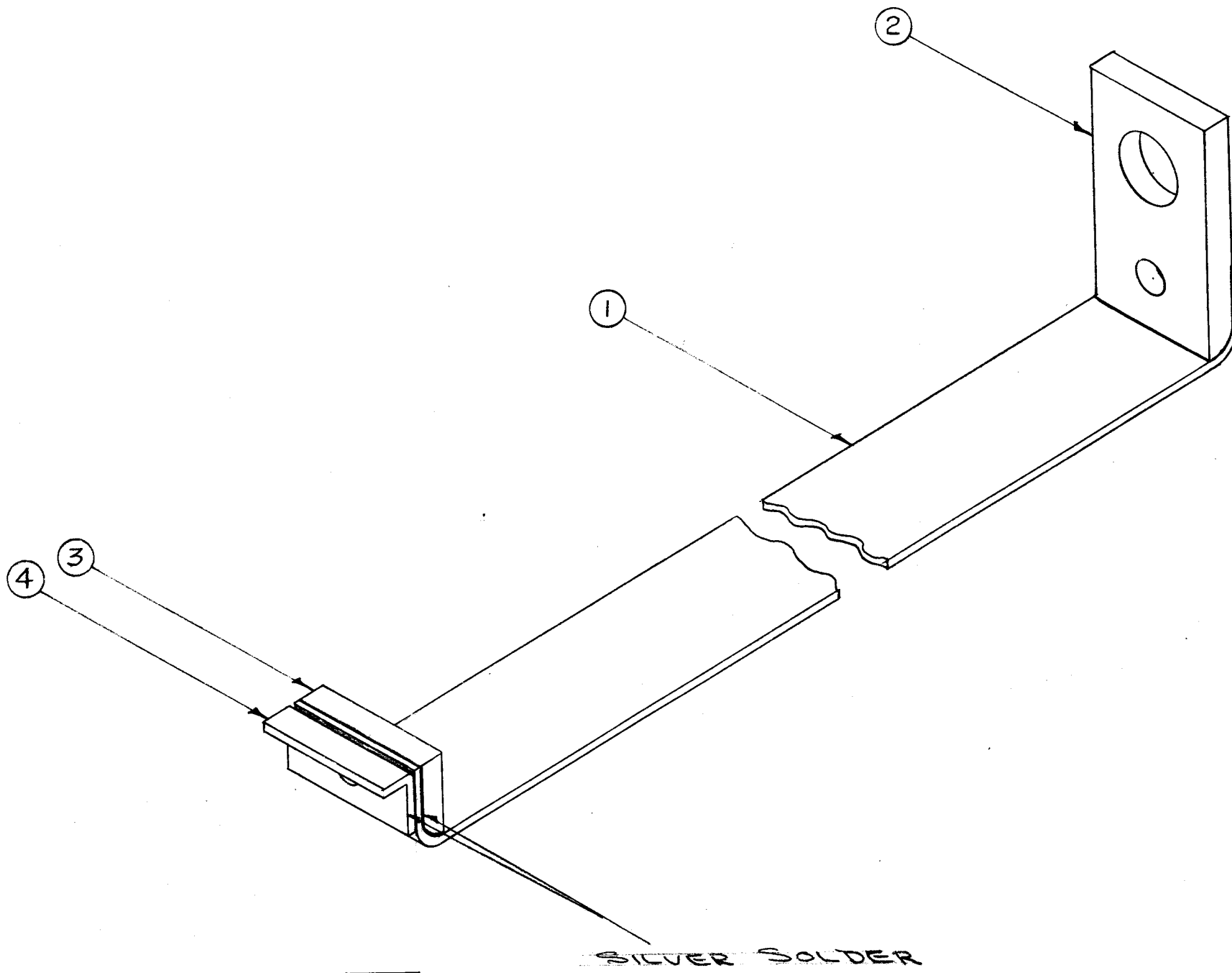


A-1404 A

NOTICE TO PERSONS RECEIVING THIS DRAWING

THE TECHNICAL MATERIEL CORPORATION claims proprietary right in the material disclosed hereon. This drawing is issued in confidence for engineering information only and may not be reproduced or used to manufacture anything shown hereon without permission from THE TECHNICAL MATERIEL CORPORATION to the user. This drawing is loaned for mutual assistance and is subject to recall at any time.

Property of:
THE TECHNICAL MATERIEL CORPORATION
MAMARONECK, NEW YORK



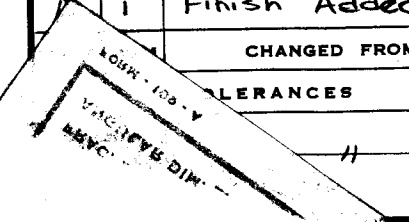
NOTE - Silver Solder all items - As shown, Keep holes matched.

Finish - S-245 - Silver Plate .0005
S-423 - Iridite

REQ. ITEM	PART NO.	DESCRIPTION	SYMBOL
X 5	BS-101	SOLDER, SILVER	
1 4	MS-1029	GUARD, STRAP	
1 3	PM-434	ENDPLATE, STRAP, SMALL	
1 2	PM-433-1	END PLATE, STRAP, LARGE (1/2 P.H.)	
1 1	MS-1030	STRAP, RESISTOR	
		STOCK SIZE	
		MATERIAL	
		TYPE & TEMPER	
		HEAT TREAT. SPEC.	
		FINISH & SPEC. NO.	
		DRAWN	
		CHECKED	
		FINAL APPROVAL	
		ELEC. DES. APP.	
		MECH. DES. APP.	

CHANGED FROM	DATE	CH. NO.	DRAFTS	CHECKER	ENG. APP.
1 Finish Added	6/9/59			J.C.B.	[Signature]
TOLERANCES	SCALE: #				
MAXIMUM ALLOWABLE TOLERANCES HAVE BEEN DETERMINED AND ANY DEVIATIONS WILL BE CAUSE FOR REJECTION. REMOVE ALL BURRS AND SHARP EDGES					

REQ. PER UNIT	MODEL	PROJECT NO.	ASS'Y. NO.	DATE
2	TER-5000		A-1431(8)	3-22-57
USED ON				



A-1404