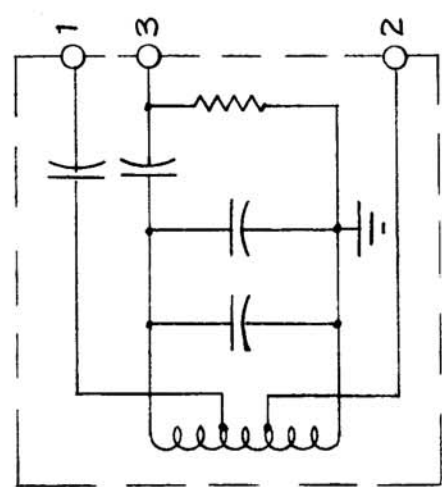
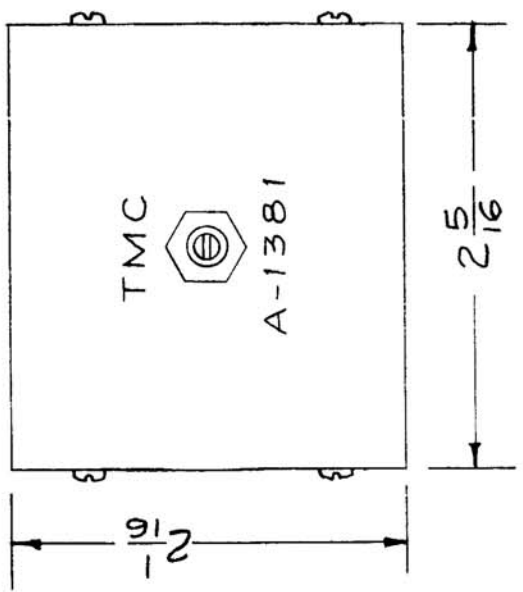
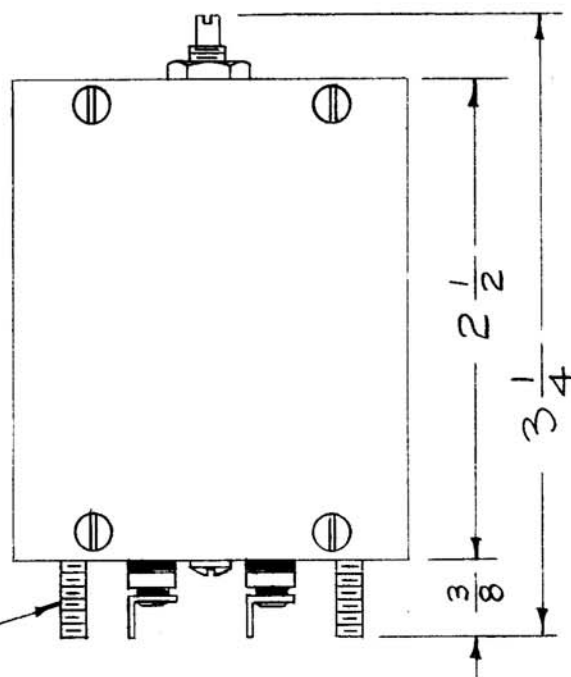
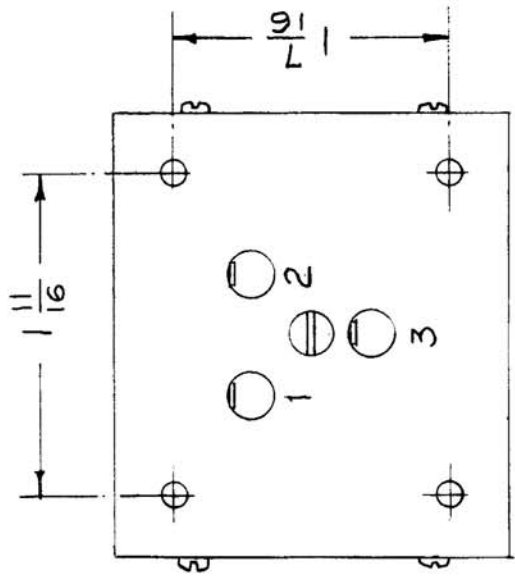


REQ. PER UNIT		USED ON	
1		MODEL	SYMBOL
		MSR-1	Z4
		MSR-4	
		DATE	
		1-3-58	
		4-27-59	

A-1381

6-32 Thds.



SCHEMATIC

CASE - Steel, Hot Tinned
 FINISH - Smooth Grey Enamel
 Dimensions for Ref. Only.

REQ. ITEM	PART NO.	DESCRIPTION	SYMBOL
		THE TECHNICAL MATERIEL CORP. MAMARONECK. NEW YORK	
		17 KC OSCILLATOR	
		NETWORK	
		16 1/3/58	ATT
		DRAWN	CHECKED
		TYPE & TEMPER	HEAT TREAT. SPEC.
		FINISH & SPEC. NO.	ELEC. DES. APP. MECH. DES. APP.
		2A-1493	FINAL APPROVAL
		SCALE: FULL	A-1381
		DATE	CH. NO. DRAFTS
		2A-1493	CHECKER
		MAXIMUM ALLOWABLE TOLERANCES HAVE BEEN DETERMINED AND ANY DEVIATIONS WILL BE CAUSE FOR REJECTION. REMOVE ALL BURRS AND SHARP EDGES	ENG. APP.
		TOLERANCES	
		DEC. DIM. ±	
		FRAC. DIM. ±	
		ANGULAR DIM. ±	