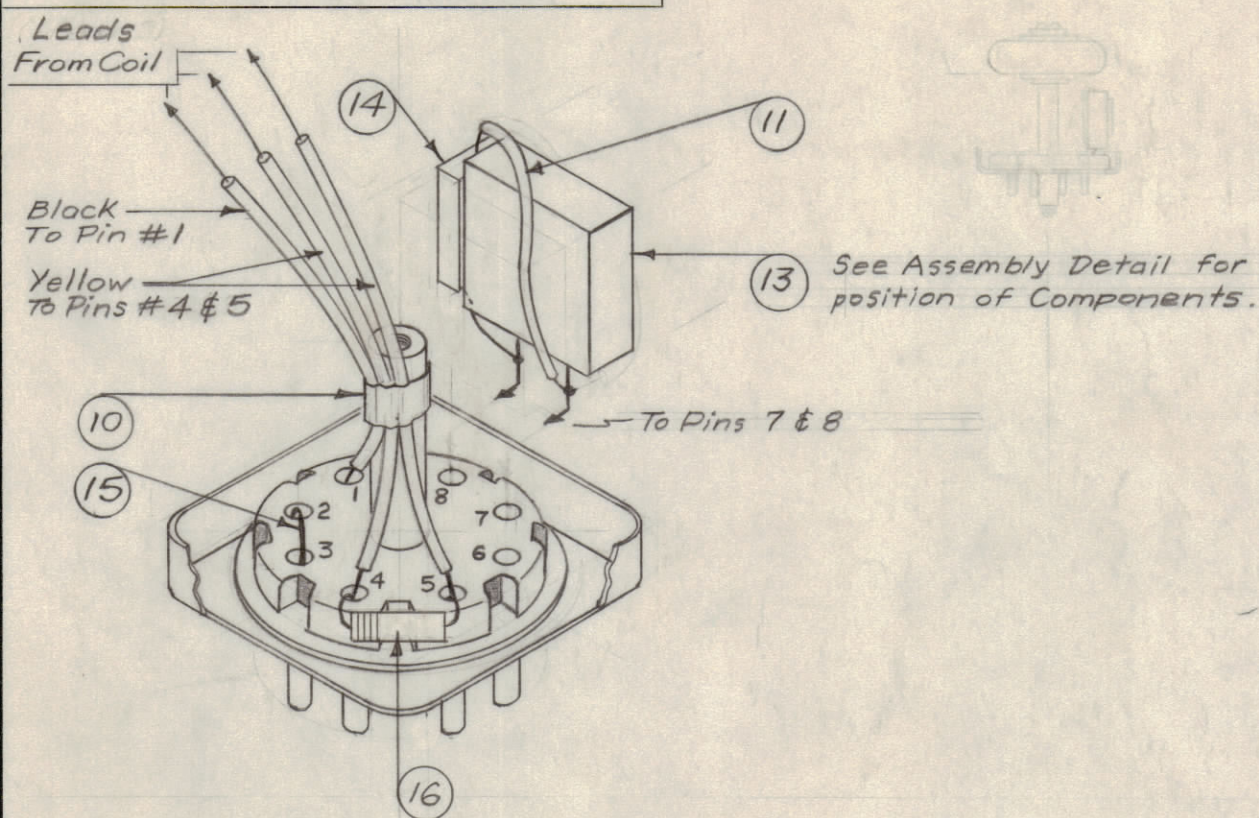
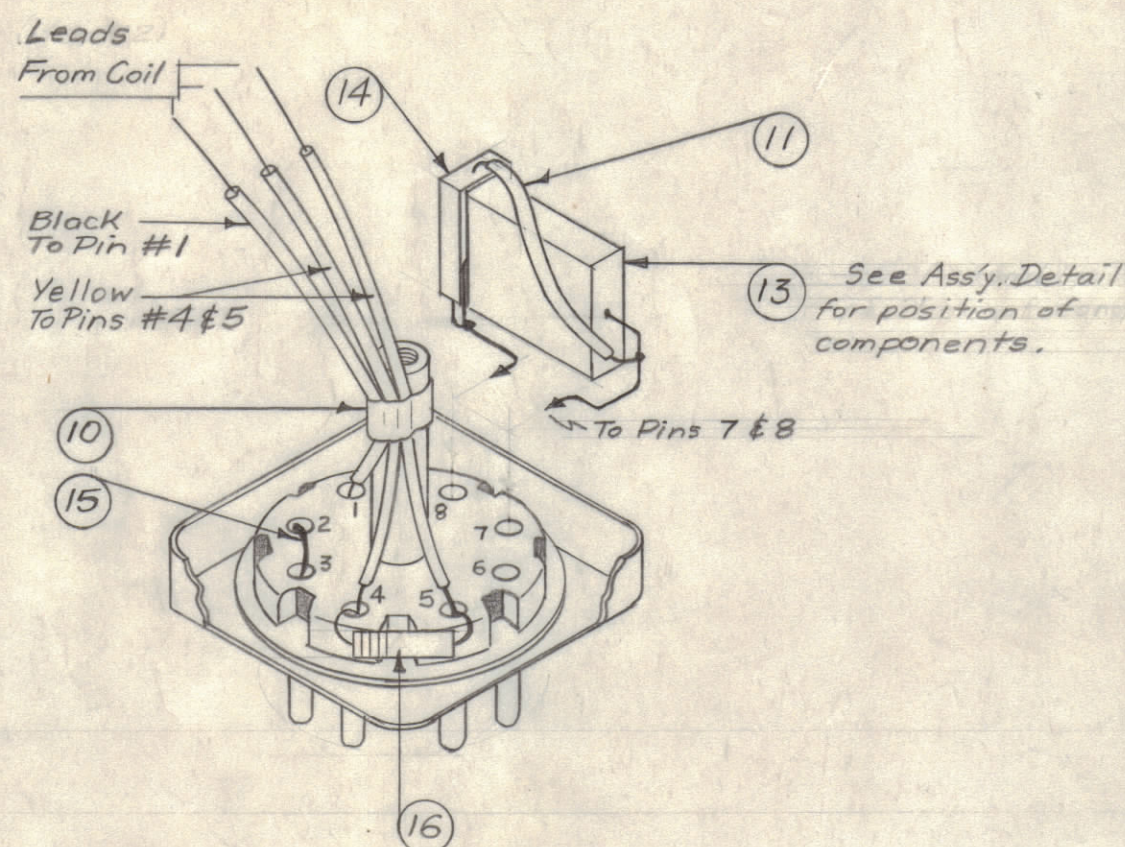


IF IT IS FOUND DESIRABLE TO CHANGE ANY TOLERANCE OR OTHER DETAIL SPECIFIED ON THIS DRAWING NOTIFY THE PURCHASER PROMPTLY.

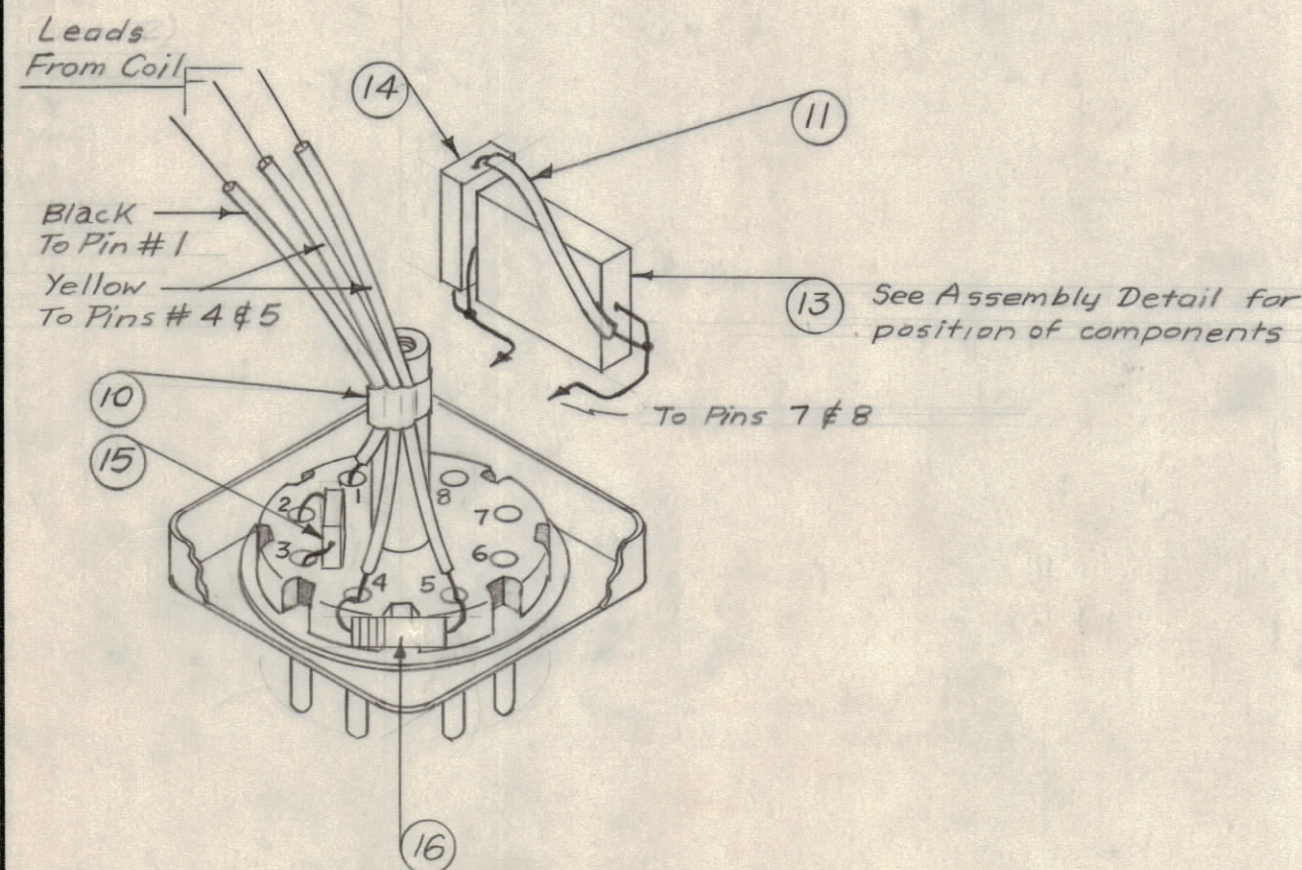
MAXIMUM ALLOWABLE TOLERANCES HAVE BEEN DETERMINED AND DEVIATIONS WILL BE CAUSE FOR REJECTION. REMOVE ALL BURRS AND SHARP EDGES



Pictorial "A" (See Notes)



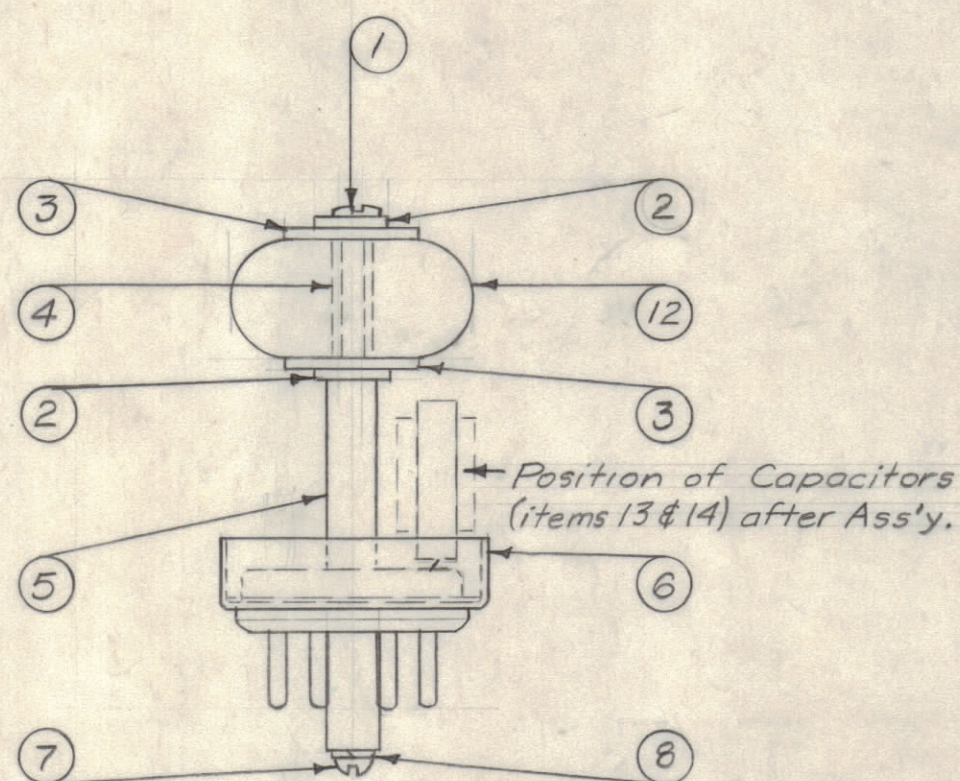
Pictorial "B" (See Notes)



Pictorial "C" (See Notes)

Assembly Detail

Note - Assemble item 12 Last.

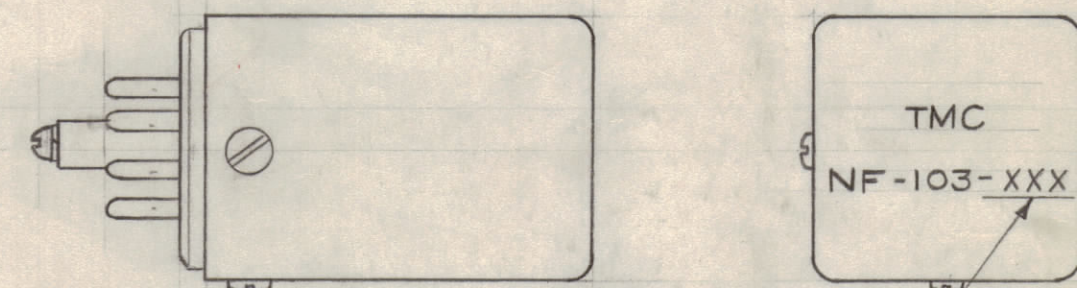


NOTES -

- Item 11 is used only when item 14 is used.
- Solder all connections - Sand & clean all soldered terminals.

PIC-TORIAL	TMC NO.	ITEM 12	ITEM 13	ITEM 14	ITEM 15	ITEM 16
A	NF-103-425	CL-125-4R0	CM110E333G	CM20D102G	WL-100-8	NONE
A	-595	-4R0	CM108E163G	CM20E821G	WL-100-8	RC20GF474K
B	-765	-4R0	CM35D912G	CM20E821G	WL-100-8	RC20GF394K
B	-935	-2R9	CM35D912G	NONE	WL-100-8	RC20GF394K
B	-1105	-2R9	CM35E622G	NONE	WL-100-8	RC20GF334K
C	-1275	-2R9	CM35E472G	NONE	CM30D202G	RC20GF334K
C	-1445	-2R9	CM30D362G	NONE	CM30E152G	RC20GF274K
B	-1615	-0R96	CM35D912G	NONE	WL-100-8	RC20GF394K
B	-1785	-0R96	CM35D752G	NONE	WL-100-8	RC20GF474K
C	-1955	-0R96	CM35E562G	CM20D431G	CM30D402G	RC20GF394K
C	-2125	-0R96	CM35E502G	CM20D181G	CM30D222G	RC20GF334K
C	-2295	-0R96	CM30D432G	NONE	CM30D182G	RC20GF334K
C	-2465	-0R5	CM35D752G	NONE	CM35D682G	NONE
C	-2635	-0R5	CM35E622G	CM20D301G	CM35E472G	NONE
C	-2805	-0R5	CM30E562G	CM20D361G	CM30E332G	NONE
C	NF-103-2975	CL-125-0R5	CM30E512G	NONE	CM30D242G	NONE

Note - Stamping shall be 1/8" black Gothic.



Stamp correct frequency here

Stamping Detail

A-1374 A

REQ.	ITEM	PART NO.	DESCRIPTION	SYMBOL
X	16	RC20GF__K	Resistor, Fixed, Comp.	
X	15	CM- or WL-	Cap. fixed, Mica; or Buss Wire	
X	14	CM-	Capacitor, Fixed, Mica	
X	13	CM-	Capacitor, Fixed, Mica	
X	12	CL-125-XXX	Reactor, Toroidal	
X	11	PX-104-2-.034	Insulation, Sleeving	Yel.
X	10	TA-102-2	Tape, Paper	
X	9	BS-100	Solder, Soft	
1	8	LWS06MRC	Lockwasher, Split	
1	7	SCRS0632BC20	Screw, Machine	
1	6	PO-106-1-NT	Socket, Turret, Plug-in	
1	5	TE-135-5	Spacer, Standoff	
1/2"	4	PX-100-1-.148	Insulation, Sleeving	BIK.
2	3	WA-109-55	Washer, Fibre	
2	2	FW08MBC	Washer, Flat	
1	1	SCBS0632BC16	Screw, Machine	

See Chart Above

See Note 1 ->

ISSUE	ITEM	CHANGED FROM	DATE	CN. NO.	DRAFTS	CHECKER	ENG. APP.
A	2	REF-NF-103-1955 ITEM 13 WAS CM35E622G ITEM 14 WAS CM20D221G	4/1/57	1	16	ajs	ATT
	1	ITEM 16 ADDED					

FORM - 110

REQ. PER UNIT	MODEL	PROJECT NO.	ASSY. NO.	DATE
1	NF-103		NF-103	2-13-57

STOCK SIZE	THE TECHNICAL MATERIEL CORP. MAMARONECK, NEW YORK		
	NETWORK, FREQ. DETERMINING		
	NF-103 ASS'Y.		
	62-13-57	ajs	
	DRAWN	ELEC. DES. APP.	MECH. DES. APP.
		ajs	
	CHECKED	FINAL APPROVAL	
	NF-103 2 size Customer's dwg.	A-1374	A