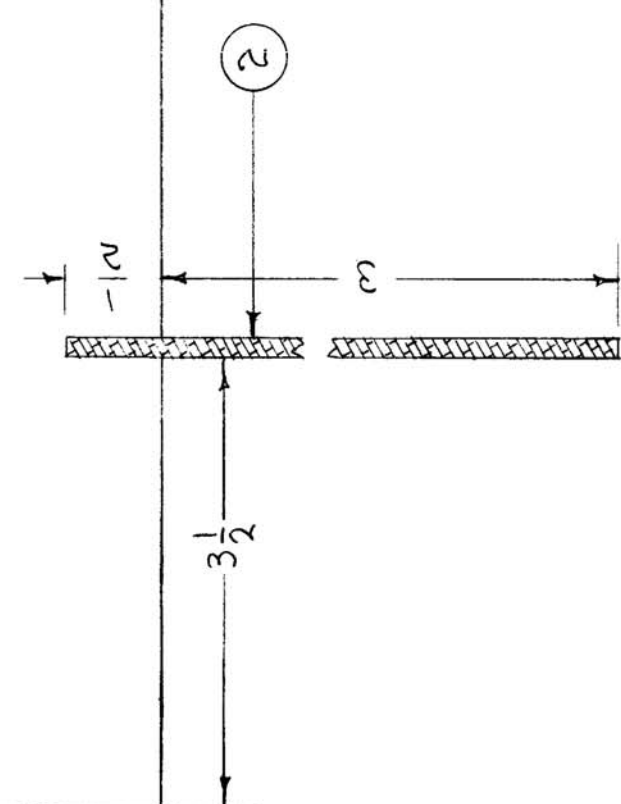
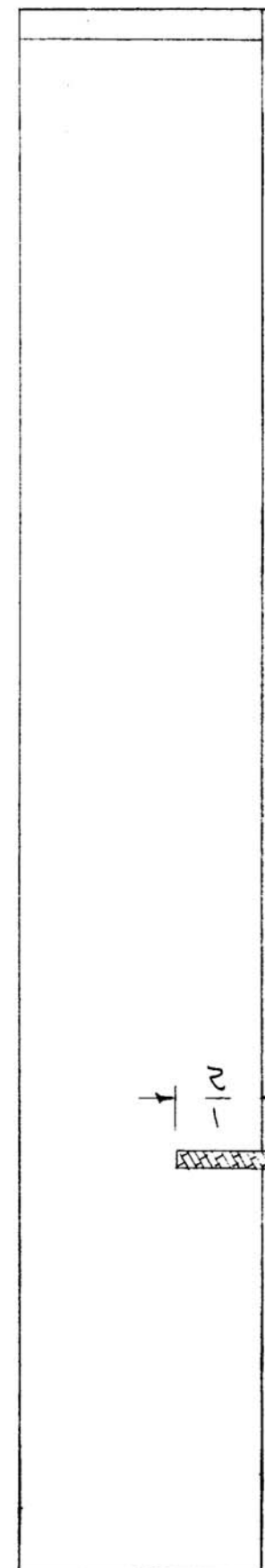


REQ. PER UNIT	MODEL	USED ON ASSY. NO.	DATE
1	TR-103	A-1216	
1	TR-162	A-1216	

A 1213 C



REQ. ITEM	PART NO.	DESCRIPTION	SYMBOL
X 4	B5100	SOLDER, TIN ALLOY	
X 3	TA108-9	INSULATION TAPE, ELECTRICAL SIZE 1 1/2	
3/2 2	WL103-2	BRAD, WIRE, FLAT SIZE 1/8	
1 1	MS1205-7.50	SHIELD	

THE TECHNICAL MATERIEL CORP. MAMARONECK. NEW YORK
SHIELD ASSY.
CDD 1-16-56
DRAWN
CHECKED
FINAL APPROVAL
A 1213 C

ISSUE ITEM	CHANGED FROM	DATE	CH. NO.	DRAFTS	CHECKER	ENG. APP.
C	IT. 2 WAS WL103-1, SIZE WAS 1/16 3-12 WAS 2, IT. 1 WAS MS1205B	3-8-67	17929			
B 1	B/M, TITLE, USED ON UPDATE.	9-29-64	12483	9 F.		
A 1	ITEM 1 WAS MS-792	6-9-61	5030	M.H.F.		

SCALE:

MAXIMUM ALLOWABLE TOLERANCES HAVE BEEN DETERMINED AND ANY DEVIATIONS WILL BE CAUSE FOR REJECTION.
REMOVE ALL BURRS AND SHARP EDGES

TOLERANCES

DEC. DIM. ±
FRAC. DIM. ±
ANGULAR DIM. ±