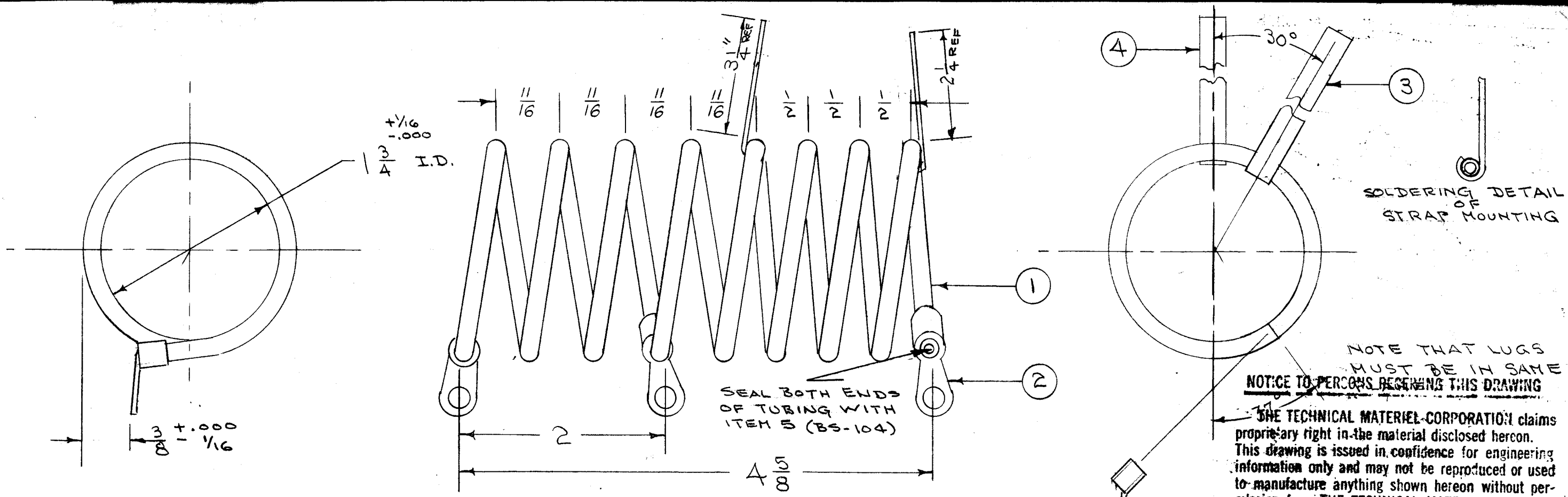


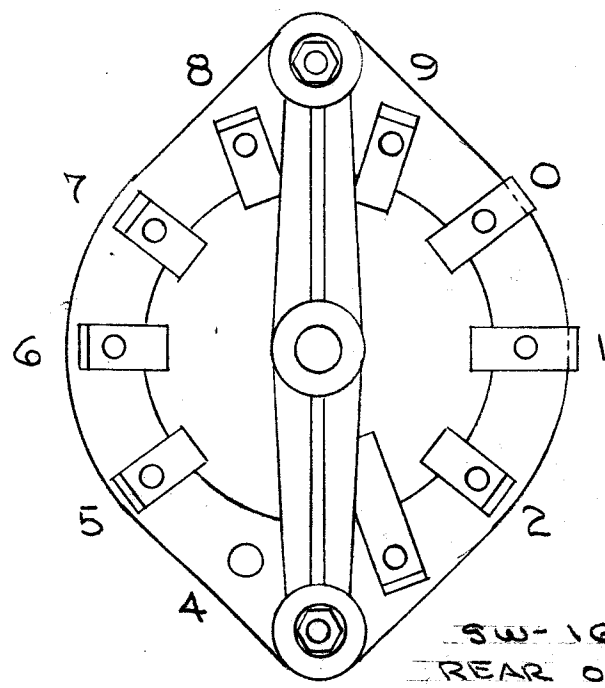
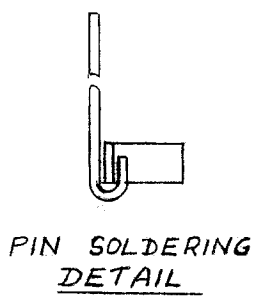
A-1208



FINISH NOTE:
 S245 - SILVER PLATE .0005
 S423 - CLEAR IRIDITE

NOTE THAT LUGS MUST BE IN SAME PLANE
 NOTICE TO PERSONS RECEIVING THIS DRAWING
 THE TECHNICAL MATERIEL CORPORATION claims proprietary right in the material disclosed hereon. This drawing is issued in confidence for engineering information only and may not be reproduced or used to manufacture anything shown hereon without permission from THE TECHNICAL MATERIEL CORPORATION to the user. This drawing is loaned for mutual assistance and is subject to recall at any time.

NOTE - FOR PROPER PHYSICAL CONFIGURATION, COIL (L112) AND SWITCH (SW-166) MUST BE ASSEMBLED IN A JIG.



DETAIL - FOR CONNECTIONS ONLY
 ITEM 3 TO PIN 6 - ITEM 4 TO PIN 5

NOTE:
 SILVER PLATE AFTER PLATING OF ITEMS: 2, 3, 4, TO CL-122
 ENTIRE PART SHOULD BE LEACHED AS PER RECOMMENDED PROCEDURE AFTER PLATING.

Property of:
 THE TECHNICAL MATERIEL CORPORATION
 MAMARONECK, NEW YORK

F	1	FINISH # SPEC. WAS SILVER PLATE .0005	1-9-63	7980	JAL	JAL	JAL
E	1	ITEMS 3 & 4 CHANGED FROM MS 783-5 TO MS 783-6	12/5/58	551	J.C.B.	JAL	JAL
D	1	machining & sealing note added	10/11/57	4	JAL	JAL	JAL
C	1	ITEMS 3 & 4 CORRECTED	4/9/56	3	ESS	JAL	JAL
B	2	STRAPS MOVED	4/29/56	2	JAL	JAL	JAL
A	1	PICTORIAL CLARIFIED	4/11/56	1	ESS	JAL	JAL
A	2	5/8 WAS 300					
A	1	ITEM 2 WASTE - 141-7					

TOLERANCES		SCALE:
DEC. DIM. ±		MAXIMUM ALLOWABLE TOLERANCES HAVE BEEN DETERMINED AND ANY DEVIATIONS WILL BE CAUSE FOR REJECTION. REMOVE ALL BURRS AND SHARP EDGES

REQ.	MODEL	PROJECT NO.	ASS'Y. NO.	DATE
1	RTF	P/A		11-20-58
				1-11-55

X	5	BS-10.4	EUTECTIC, TIN, WELD #1	
1	4	MS-783-6-29-A	CONNECTOR STRAP	
1	3	MS-783-6-21-A	CONNECTOR STRAP	
3	2	TE-158-31134	TERMINAL, SOLDER LESS	
1	1	CL-122	COIL (NO DRAWING)	L112
REQ. ITEM	PART NO.		DESCRIPTION	SYMBOL
3/16 O.D.		THE TECHNICAL MATERIEL CORP. MAMARONECK, NEW YORK		
COPPER TUBING		COIL, PA TANK, HIGH FREQ. POWER AMP.		
COMMERCIAL SOFT		ESS 1/11/55	JAL	A. J. J.
TYPE & TEMPER	HEAT TREAT. SPEC.	DRAWN	CHECKED	FINAL APPROVAL
SEE NOTE		O.I.P.	JAL	A-1208
FINISH & SPEC. NO.		ELEC. DES. APP.	MECH. DES. APP.	