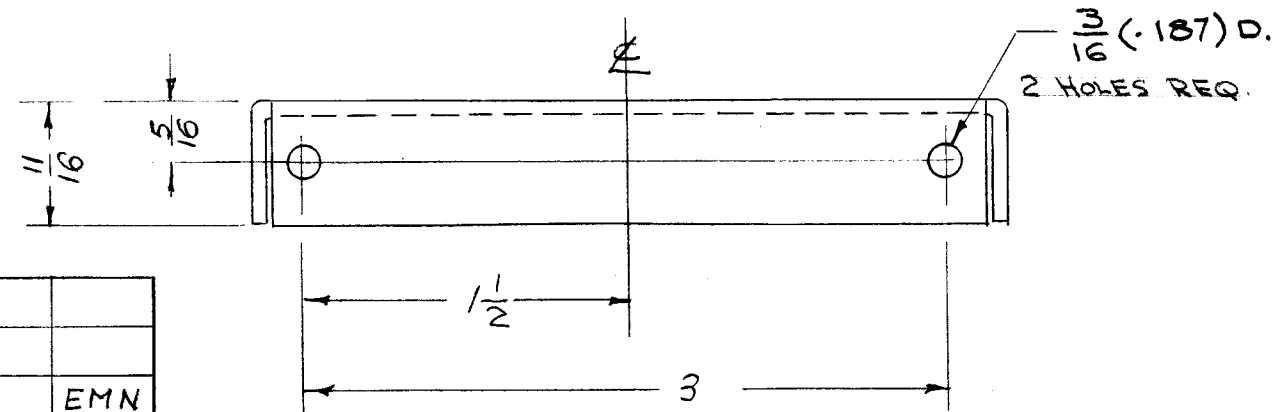


4 3 2 5

**NOTICE TO PERSONS RECEIVING THIS DRAWING**  
 THE TECHNICAL MATERIEL CORPORATION claims proprietary right in the material disclosed hereon. This drawing is issued in confidence for engineering information only and may not be reproduced or used to manufacture anything shown hereon without permission from THE TECHNICAL MATERIEL CORPORATION to the user. This drawing is loaned for mutual assistance and is subject to recall at any time.  
 Property of:  
 THE TECHNICAL MATERIEL CORPORATION  
 MAMARONECK, NEW YORK

REF. DWG A-1188



REQ. ITEM	PART NO.	DESCRIPTION	SYMBOL
1 5	FS-102-1	SPRING, "S" TYPE	
2 4	NTH0348BC6	NUT, HEX	
2 3	LWS03MRC	WASHER, LOCK	
2 2	SCFS0348BC4	SCREW, MACHINE	
1 1	MS-679	BRACKET, LEFT (NO DRAWING)	

ISSUE	ITEM	CHANGED FROM	DATE	CH. NO.	DRAFTS	CHECKER	ENG. APP.
B	1	S-404 WAS S-101	12/10/59	1001	AB		EMN
A	1	3/16 D. WAS 1/64 D.	5/10/57	1	SC.	JAKO	ONB

TOLERANCES: DEC. DIM.  $\pm$ , FRAC. DIM.  $\pm Y64$ , ANGULAR DIM.  $\pm$

SCALE: MAXIMUM ALLOWABLE TOLERANCES HAVE BEEN DETERMINED AND ANY DEVIATIONS WILL BE CAUSE FOR REJECTION. REMOVE ALL BURRS AND SHARP EDGES

REQ. PER UNIT	MODEL	PROJECT NO.	ASS'Y. NO.	DATE
1	RTP			8-22-65

USED ON

STOCK SIZE		THE TECHNICAL MATERIEL CORP. MAMARONECK, NEW YORK	
.064		COVER BRACKET ASSY., LEFT GPT-750	
MATERIAL		ALUMINUM	
52S-H32		1182255	A. J. J.
TYPE & TEMPER	HEAT TREAT. SPEC.	DRAWN	CHECKED
S-404 YELLOW IRIDITE		11/14/59	
FINISH & SPEC. NO.		ELEC. DES. APP.	MECH. DES. APP.