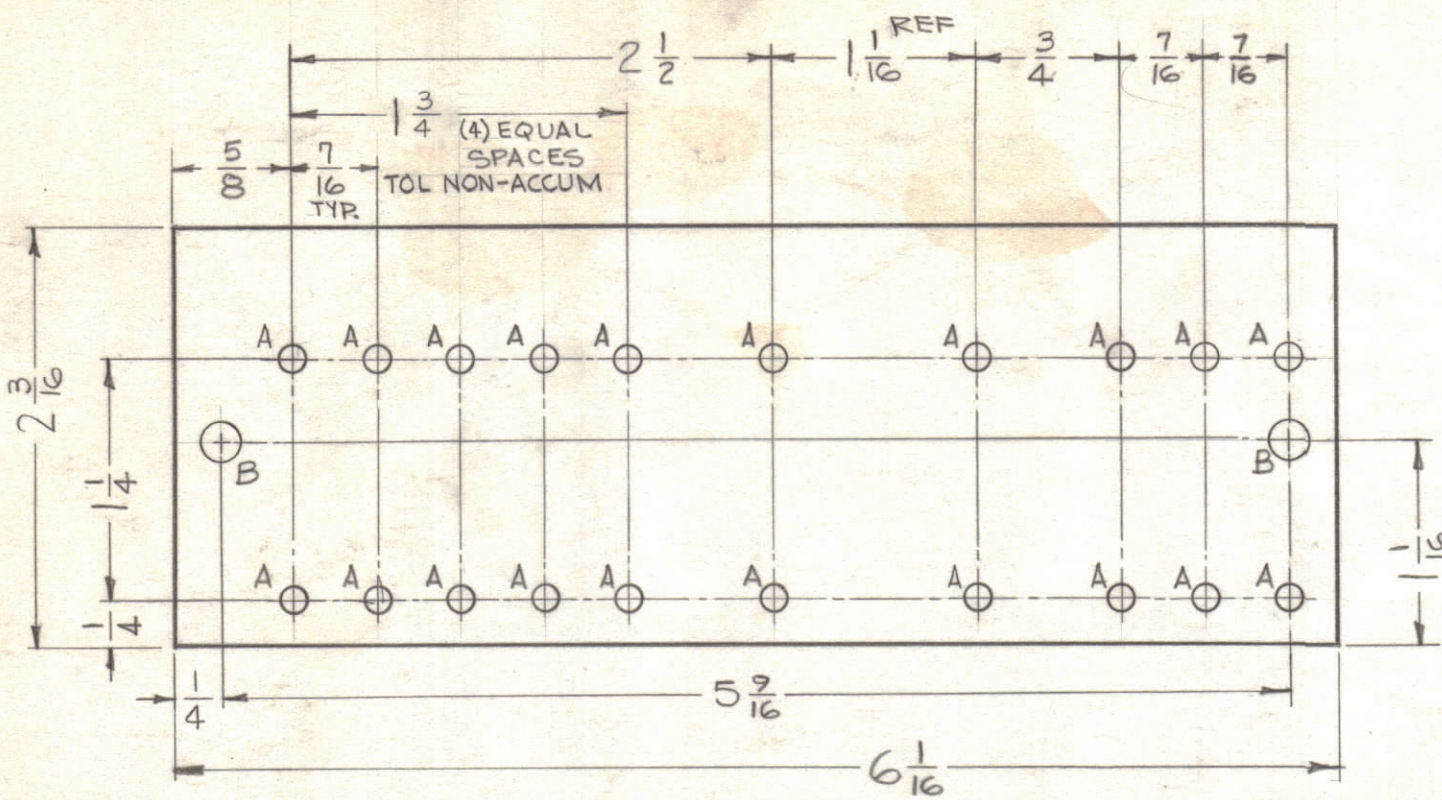


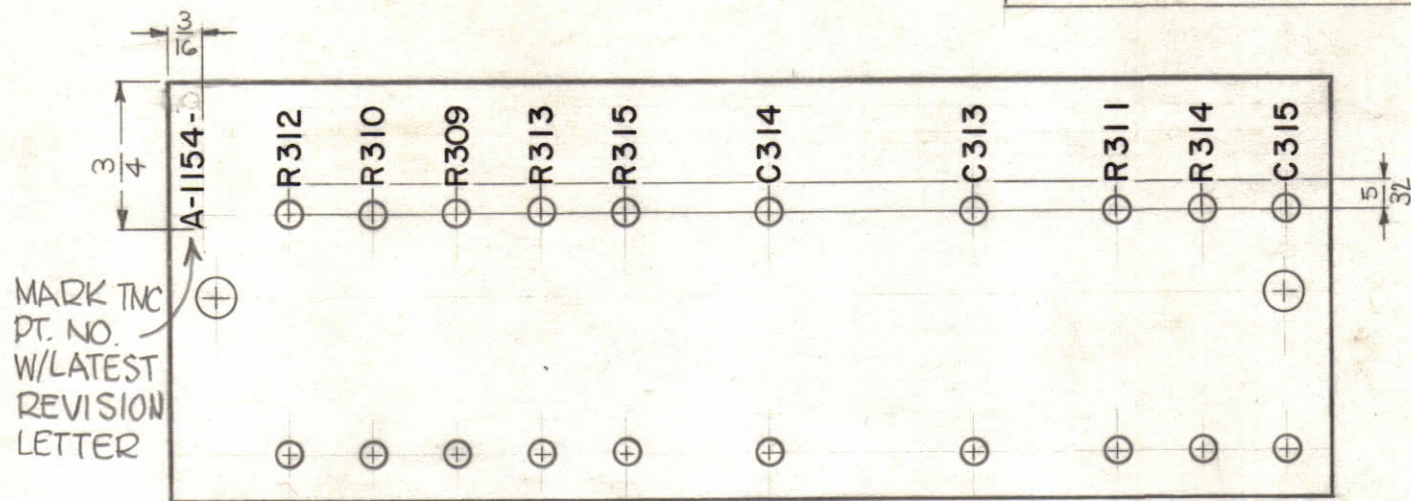
LEGEND		
HOLE	DESCRIPTION	REQ.
A	* 32 (.116) DIA.	20
B	* 12 (.189) DIA.	2

REVISIONS						
ZONE	SYM	DESCRIPTION	DATE	E.M.N. NO.	DRAFT	CHKD
	C	REDRAWN & REVISED	3-18-63	8576		
H4	D	S-113 ADDED	4-13-64	11186		
	E	IT 3 WAS CM35F103F03 TOL ITEM # 7 WERE K, ITEM 9 DEC POINT DELETED	11-14-66	17251		

- UNLESS OTHERWISE SPECIFIED -
- 1- ALL LETTERING TO BE 1/8 HIGH, BLACK GOTHIC.
 - 2- MARKING PROCESS: USE TMC SPECIFICATION S-727.
 - 3- ALL LETTERING TO BE CENTERED ON HOLES.
 - 4- APPLY S-113 AFTER MARKING *

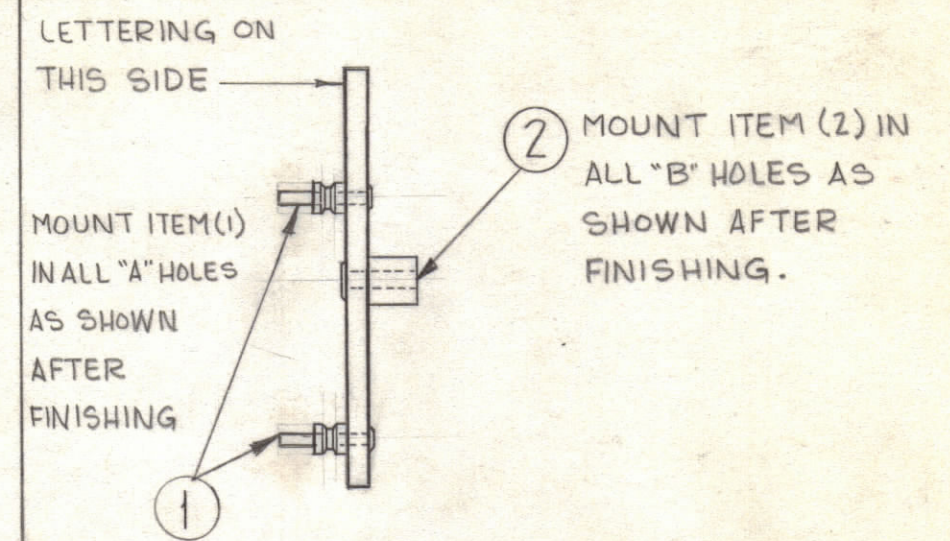


STAGE 1 - MACHINING (A-1154-1)
MAT'L: 1/8 THK, PHENOLIC; XXXP LAMINATE; FINISH: NATURAL.

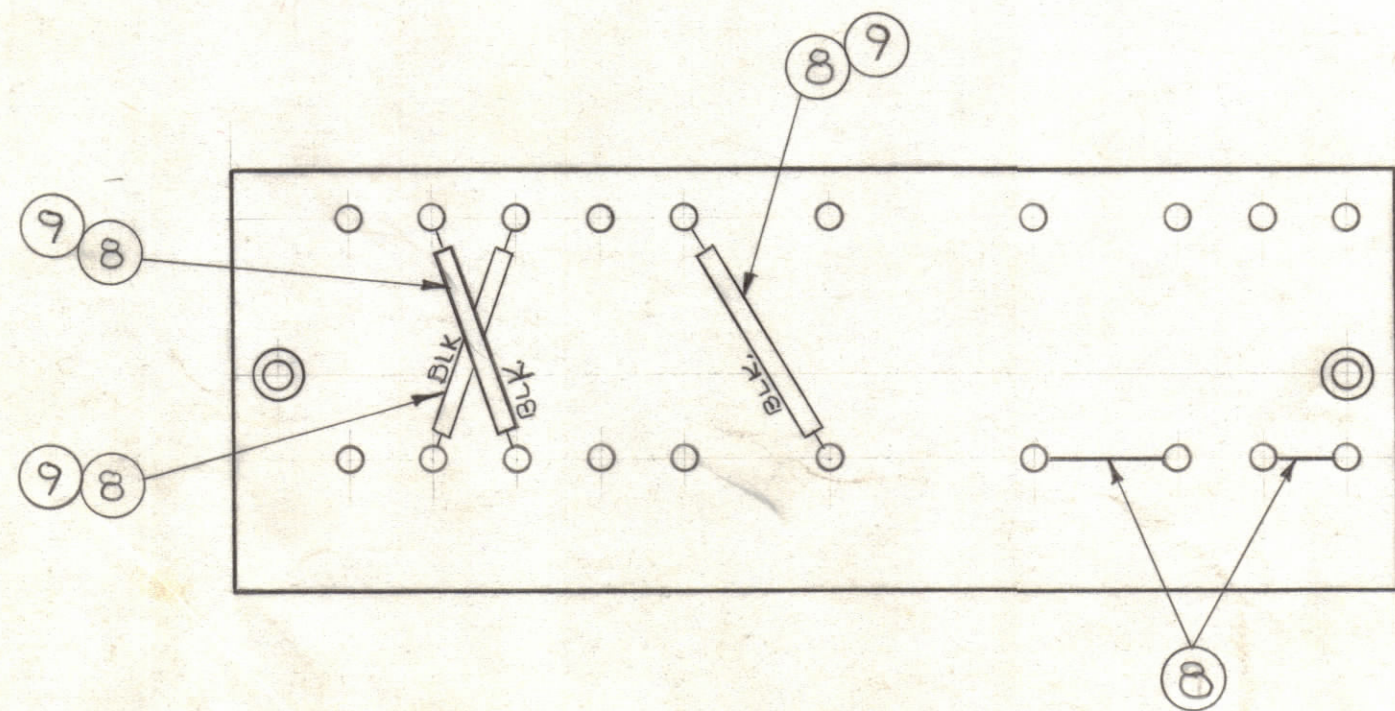
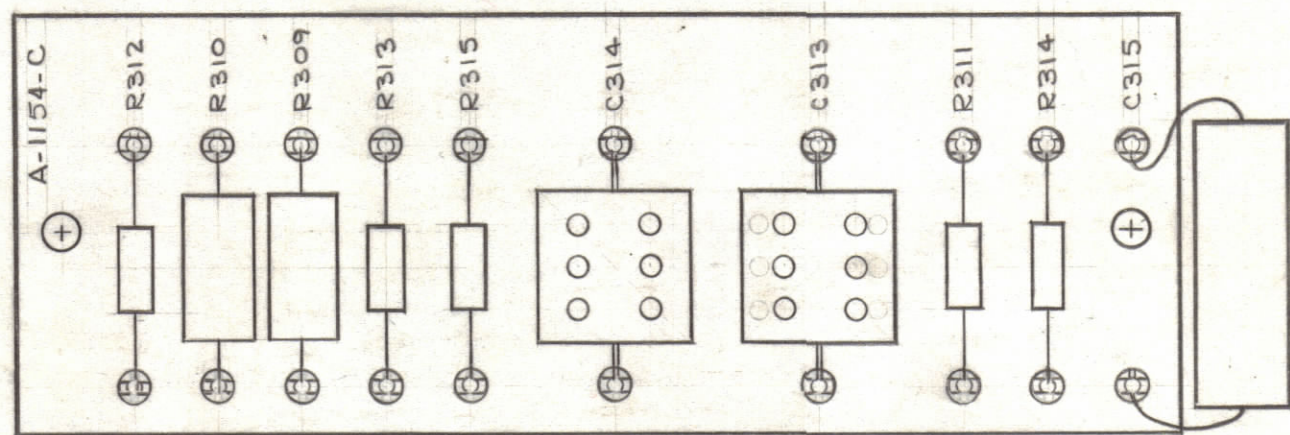


* FUNGUS PROOFING PER TMC SPECIFICATION S-113

STAGE 2 - LETTERING (A-1154-2)



STAGE 3 - SUB-ASSY. (A-1154-3)



STAGE 4 - FINAL ASSY (A-1154-4)

REQ'D.	ITEM	PART NUMBER	DESCRIPTION	SYMBOL
X	10	BS-100	SOLDER, SOFT	
X	9	PX-104-1-022	INSULATION, SLEEVING	BLACK
X	8	WL-100-8	WIRE, BUSS BAR #24	
2	7	RC20GF224J	RESISTOR, FIXED COMPOSITION	R312, R313
3	6	RC20GF101J		
2	5	RC42GF912J	RESISTOR, FIXED COMPOSITION	R309, R310
1	4	CN-100-4	CAPACITOR, FIXED, PAPER DIELECTRIC	C315
2	3	CM35F103F03	CAPACITOR, FIXED MICA.	C313, C314
2	2	TE-182	STANDOFF, RIVET TYPE	B
20	1	TE-109-3	TERMINAL, LUG, SPLIT	A

LIST OF MATERIAL						
MATERIAL			THE TECHNICAL MATERIEL CORP. MAMARONECK, NEW YORK			
FINISH			TITLE			
SEE STAGE - 1			OVEN TERMINAL BOARD ASSEMBLY R.F. DECK			
SEE STAGE - 2			DRAWN: [Signature]			
UNLESS OTHERWISE SPECIFIED DIMENSIONS ARE IN INCHES AND INCLUDE CHEMICALLY APPLIED OR PLATED FINISHES			DATE: 3-18-63		FINAL APPROVAL: [Signature]	
DECIMALS: .X ± .05, .XX ± .01, .XXX ± .005			DATE: 5-25-63		DATE: [Blank]	
FRACTIONS: ± 1/64, ANGLES: ± 0° 30'			ELECT. DES. [Signature]		DATE: [Blank]	
TOLERANCES			MECH. DES. [Signature]		DATE: [Blank]	
THE CONTENTS OF THIS DRAWING ARE THE EXCLUSIVE PROPERTY OF THE TECHNICAL MATERIEL CORP. ITS UNAUTHORIZED USE OR REPRODUCTION IN WHOLE OR IN PART IS STRICTLY FORBIDDEN.			DATE: [Blank]		DATE: [Blank]	

NOTES

1 RTF-2
1 RTF
Q'TY./UNIT MODEL USED ON ASS'Y. NO.
SCALE FULL CODE A

A-1154 E

A-1154 E