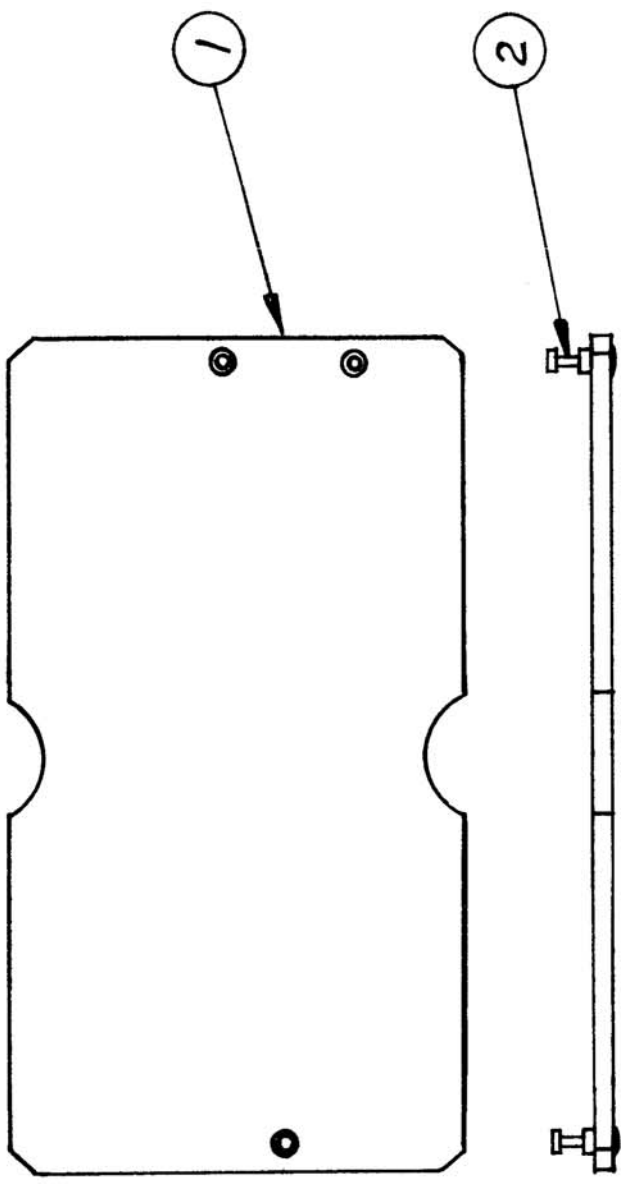


ISSUE	ITEM	CHANGED FROM	DATE	CH. NO.	DRAFTS	CHECKER	ENB. APP.	REQ.	ITEM	PART NO.	DESCRIPTION	SYMBOL
Ø		PROD. RELEASE	7 SEPT 73		LTS		ØN	1	1	A 10909-3	PRINTED CIRC ASS'Y (LETT.)	
								3	2	TE127-3	TERM STUD	



MODEL		113/70	PROJECT NO.	A10909-5		DATE	17 JULY 1970
TOLERANCES		MAXIMUM ALLOWABLE TOLERANCES HAVE BEEN DETERMINED AND DEVIATIONS WILL BE CAUSE FOR REJECTION. REMOVE ALL BURRS AND SHARP EDGES		IF IT IS FOUND DESIRABLE TO CHANGE ANY TOLERANCE OR OTHER DETAIL SPECIFIED ON THIS DRAWING NOTIFY THE PURCHASER PROMPTLY.		SCALE 1/2"	
ALL OTHERS	DEC. DIM. ± .05	DIMENSIONS IN INCHES UNLESS OTHERWISE SPECIFIED		DRILL, PUNCH, COMMERCIAL STOCK SIZES AND MANUFACTURERS TOLERANCES ARE NOT INCLUDED.		HEAT TREAT. SPEC.	
	FRAC. DIM. ± 1/64	.XX = .01		.XXX = .005		FINISH & SPEC. NO.	
	ANGULAR DIM. ± 0° 30'					MATERIAL	
						WEIGHT PER PC.	
						TYPE & TEMPER	
						STOCK SIZE	
						DRAWN	
						ELEC. DES. APP.	
						MECH. DES. APP.	
						CHECKED	
						FINAL APPROVAL	
						Sht 4 of 5 A10909-4 Ø	
TMC (Canada) LIMITED		OTTAWA		ONTARIO		PRINTED CIRCUIT	
(SUB ASS'Y)		FILTER		LTS			