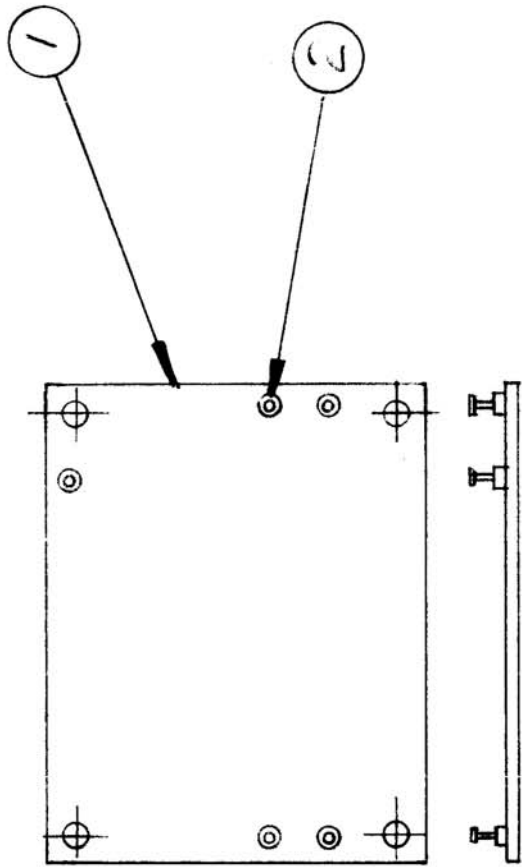


ISSUE	ITEM	CHANGED FROM	DATE	CM. NO.	DRAFTS	CHECKER	ENG. APP.	REQ.	ITEM	PART NO.	DESCRIPTION	SYMBOL
Ø		REL. TO PRIM	JULY 7/69		AP			1	1	A10755-3	PC ASSY MIC. AMP. (LETT)	
A		REV. AS PER CEMN	JULY 21/69	513	AP			5	2	TE127-2	TERMINAL STUD	
B		REV. PER CEMN	20 JAN 71	895	JDR	<i>[Signature]</i>						



SME-5	107/70	A10755-6	20 JAN 71
MCU-16	085/69	A10755-5	JULY 7/69
MODEL	PROJECT NO.	ASS'Y. NO.	DATE
USED ON			
MAXIMUM ALLOWABLE TOLERANCES HAVE BEEN DETERMINED AND DEVIATIONS WILL BE CAUSE FOR REJECTION REMOVE ALL BURRS AND SHARP EDGES		IF IT IS FOUND DESIRABLE TO CHANGE ANY TOLERANCE OR OTHER DETAIL SPECIFIED ON THIS DRAWING NOTIFY THE PURCHASER PROMPTLY.	
TOLERANCES DEC. DIM. ± .X = .05 FRAC. DIM. ± 1/64 ANGULAR DIM. ± 0'30"		SCALE 1:1 DIMENSIONS IN INCHES UNLESS OTHERWISE SPECIFIED DRILL: PUNCH, COMMERCIAL STOCK SIZES AND MANUFACTURERS TOLERANCES ARE NOT INCLUDED.	
ALL OTHERS			
TMC (Canada) LIMITED OTTAWA PC. ASSY (SUB) MICROPHONE		AMPLIFIER AP DRAWN ELEC. DES. APP. MECH. DES. APP.	
STOCK SIZE MATERIAL TYPE & TEMPER WEIGHT PER PC. HEAT TREAT. SPEC.		CHECKED FINISH & SPEC. NO.	
Sh 40:6		FINAL APPROVAL A10755-4 B	