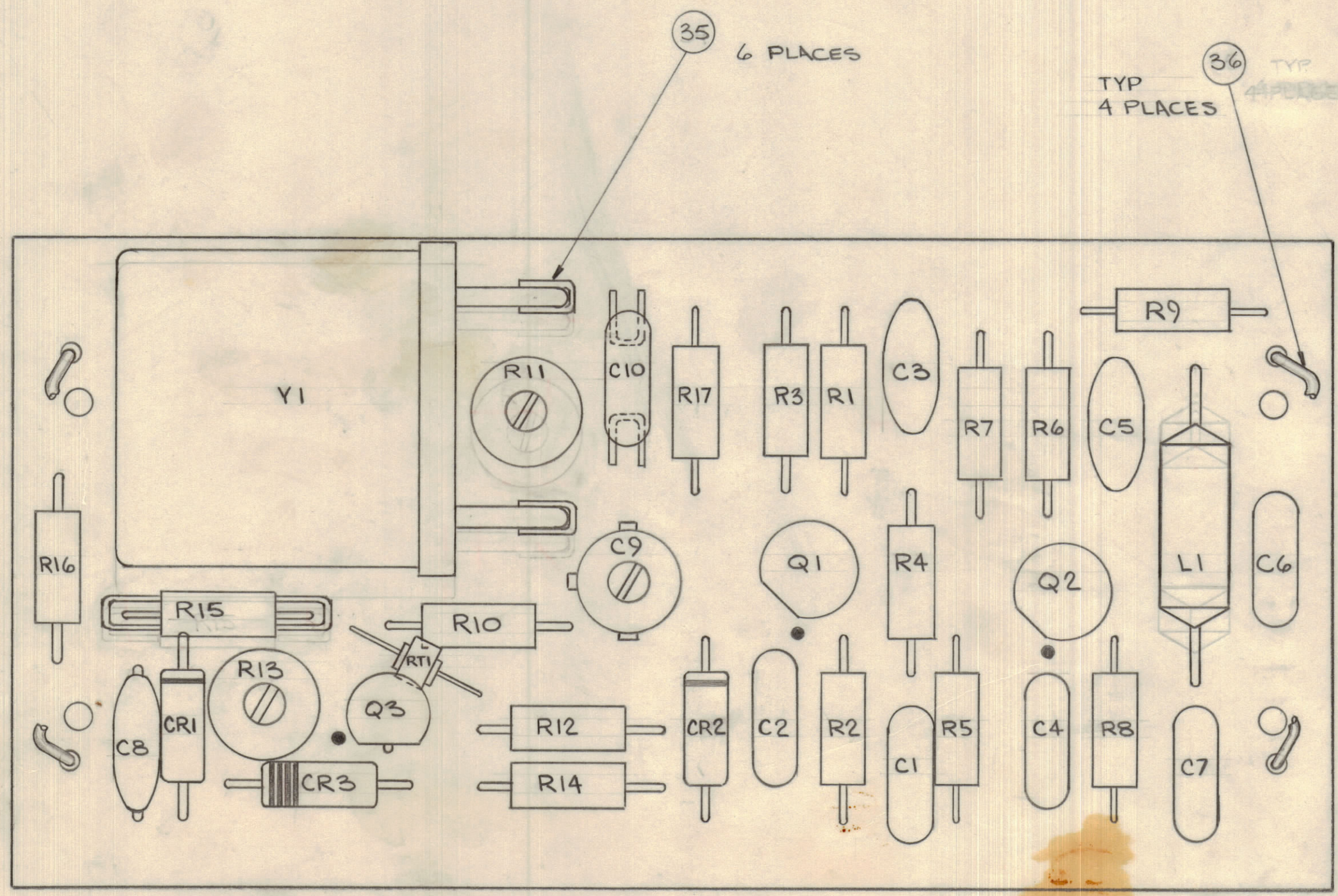
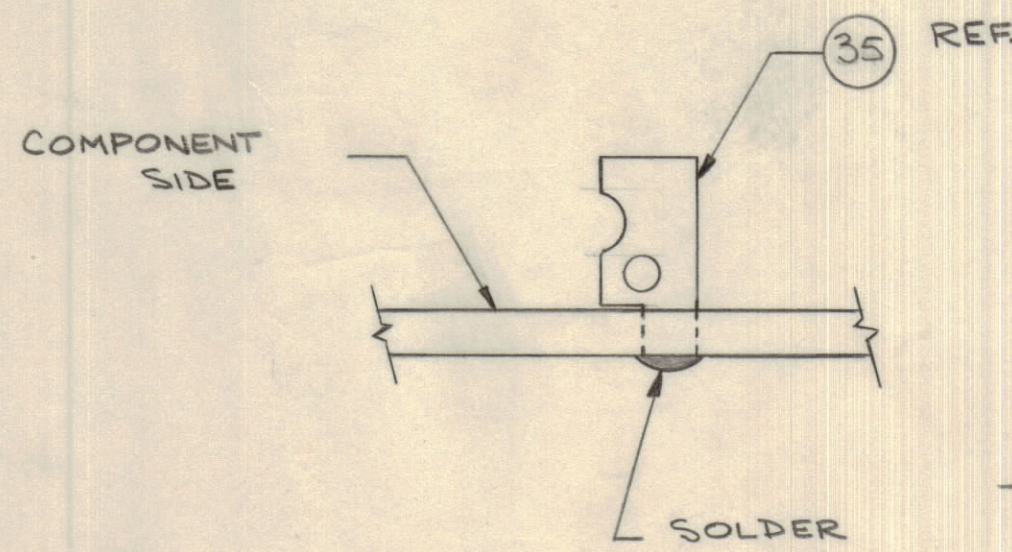


IF IT IS FOUND DESIRABLE TO CHANGE ANY TOLERANCE OR OTHER DETAIL SPECIFIED ON THIS DRAWING NOTIFY THE PURCHASER PROMPTLY.		DIMENSIONS IN INCHES UNLESS OTHERWISE SPECIFIED					
MAXIMUM ALLOWABLE TOLERANCES HAVE BEEN DETERMINED AND DEVIATIONS WILL BE CAUSE FOR REJECTION. REMOVE ALL BURRS AND SHARP EDGES.		OTHERWISE SPECIFIED					
ISSUE	ITEM	CHANGED FROM	DATE	CH. NO.	DRAFTS	CHECKER	ENG. APP.
B		REDRAWN PER CEMN. 1087	NOV. 19/71	1087	PL	<i>[Signature]</i>	<i>[Signature]</i>



REQ.	ITEM	PART NO.	DESCRIPTION	USED ON	REMARKS
1		A10638-1	P.C. BD. ETCH.	A10638-2	
1		A10638-2	P.C. BD. MACH.	A10638-3	
1	1	A10638-3	P.C. BD. LETTERING	A10638-5	
	2				
	3				
2	4	CC100-29	CAP. FXD., CER.	A10638-5	C3,5
1	5	CC10012	CAP. FXD., CER.		C8
1	6	CL275-470	COIL, RF, FXD.		L1
2	7	CM1002C101J	CAP. FXD., MICA		C4 C10*
1	8	CM10002C151J			*C10, S1200 NOTE 34
1	8	CM10002C181J			C10*
1	9	CM10002C201J			C2
3	10	CM10002C331J	CAP. FXD. MICA		C1,6,7
1	11	CR10007	CRYSTAL UNIT, QTZ.		Y1
1	12	CV10001	CAP. FXD., VAR.		C9
1	13	DD10003-1	DIODE, VVC		CR2
2	14	RC07GF101J	RES., FXD. COMP.		R4, B
1	15	RC07GF102J			R3
2	16	RC07GF103J			R14, R16
1	17	RC07GF104J			R10
1	18	RC07GF152J			R17
1	19	RC07GF333J			R1
1	20	RC07GF472J			R12
1	21	RC07GF473J			R2
2	22	RC07GF562J			R5,6
1	23	RC07GF683J	RES., FXD., COMP.	A10638-5	R7
					A10638-5 B
1	24	RC07GF821J	RES., FXD., COMP.	A10638-5	R9
1	25	RC07GFXXXJ	RES., FXD., COMP.		R15, S1200 NOTE 34
1	26	RR10003	THERMISTOR		RT1
1	27	RV10007-7P	RES., VAR., COMP.		R11
1	28	RV10007-9P	RES., VAR., COMP.		R13
1	29	1N456	DIODE		CR3
1	30	1N756A	DIODE		CR1
1	31	2N3640	TRANSISTOR		Q3
2	32	2N3646	TRANSISTOR	A10638-5	Q1, Q2
	33				
	34				
6	35	TE10019	TERM., SOLDER	A10638-5	
X	36	WL100-7	WIRE, BUSS	A10638-5	
					CK10536 SCHEMATIC, TCXO REF.

TOLERANCES		SCALE: 4:1
ALL OTHERS	DEC. DIM. ± .XX	DRILL, PUNCH, COMMERCIAL STOCK
	FRAC. DIM. ± 1/64	SIZES AND MANUFACTURERS
	ANGULAR DIM. ± 0° 30'	TOLERANCES ARE NOT INCLUDED.

TCXO	068/67	NF10002	NOV. 19/71
MODEL	PROJECT NO.	ASS'Y. NO.	DATE

TMC (Canada) LIMITED OTTAWA ONTARIO			
P.C. BD., OSCILLATOR ASSEMBLY			
DRAWN: PLINDSAY		MECH. DES. APP.	
CHECKED: A PROCTOR		FINAL APPROVAL	
SHEET 4 OF 4		A10638-5 B	