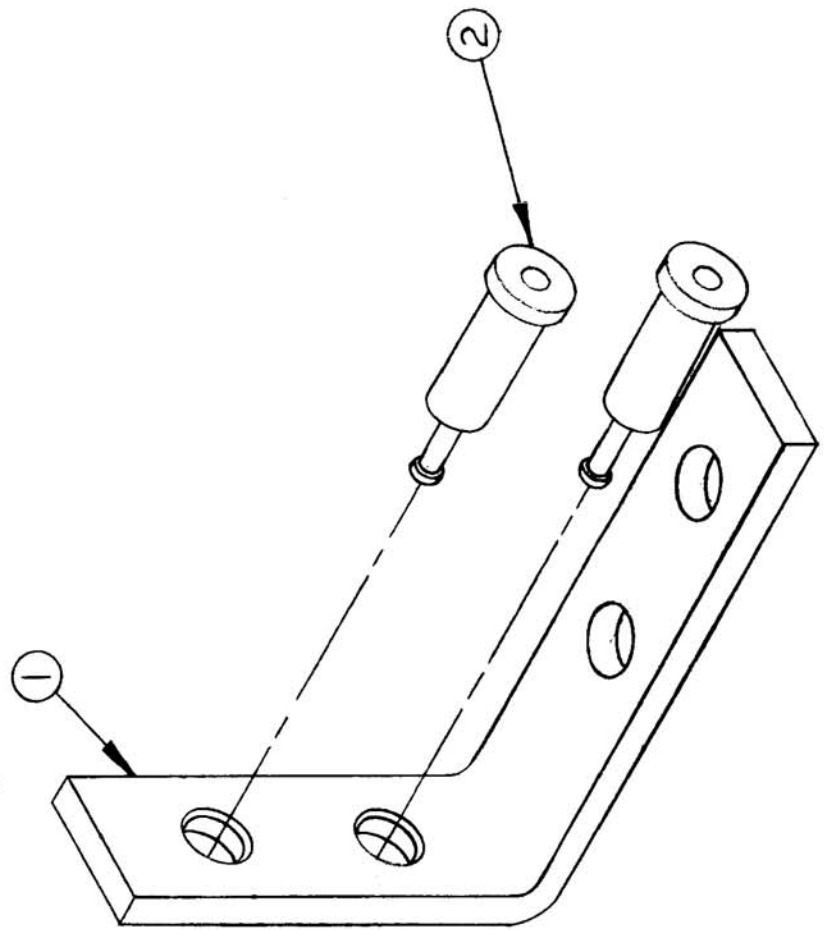


A 10427

ISSUE	ITEM	CHANGED FROM	DATE	CN. NO.	DRAFTS	CHECKER	ENG. APP.	REQ.	ITEM	PART NO.	DESCRIPTION	SYMBOL
Ø		REL. TO PROD.	MAR. 28/66		GM		<i>[Signature]</i>	1	1	MS10647	XTAL, MOUNTING BRKT.	
A		REV TO CEMN	4/7/67	249	AP	<i>[Signature]</i>	<i>[Signature]</i>	2	2	JJ219-18-9	JACK, TIP, SUBMINIATURE	



MODEL		005/66		PROJECT NO.		005/66		DATE		MAR. 25/66	
ISSUED ON		PROJECT NO.		ISSY. NO.		DATE		STOCK SIZE		TMC (Canada) LIMITED OTTAWA ONTARIO	
MAXIMUM ALLOWABLE TOLERANCES HAVE BEEN DETERMINED AND DEVIATIONS WILL BE CAUSE FOR REJECTION. REMOVE ALL BURRS AND SHARP EDGES		IF IT IS FOUND DESIRABLE TO CHANGE ANY TOLERANCE OR OTHER DETAIL SPECIFIED ON THIS DRAWING NOTIFY THE PURCHASER PROMPTLY.		SCALE NTS		DIMENSIONS IN INCHES UNLESS OTHERWISE SPECIFIED		DRILL, PUNCH, COMMERCIAL STOCK SIZES AND MANUFACTURERS TOLERANCES ARE NOT INCLUDED.		ASSEMBLY, BRACKET	
TOLERANCES		DEC. DIM. ±		FRAC. DIM. ±		ANGULAR DIM. ±		MATERIAL		GAM	
ALL OTHERS		DEC. DIM. ±		FRAC. DIM. ±		ANGULAR DIM. ±		TYPE & TEMPER		DRAWN: <i>[Signature]</i>	
TOLERANCES		DEC. DIM. ±		FRAC. DIM. ±		ANGULAR DIM. ±		HEAT TREAT. SPEC.		ELEC. DES. APP. MECH. DES. APP.	
TOLERANCES		DEC. DIM. ±		FRAC. DIM. ±		ANGULAR DIM. ±		FINISH & SPEC. NO.		CHECKED: <i>[Signature]</i>	
TOLERANCES		DEC. DIM. ±		FRAC. DIM. ±		ANGULAR DIM. ±		FINISH & SPEC. NO.		PLUMMER	
TOLERANCES		DEC. DIM. ±		FRAC. DIM. ±		ANGULAR DIM. ±		FINISH & SPEC. NO.		FINAL APPROVAL	
TOLERANCES		DEC. DIM. ±		FRAC. DIM. ±		ANGULAR DIM. ±		FINISH & SPEC. NO.		A-10427	
TOLERANCES		DEC. DIM. ±		FRAC. DIM. ±		ANGULAR DIM. ±		FINISH & SPEC. NO.		A	