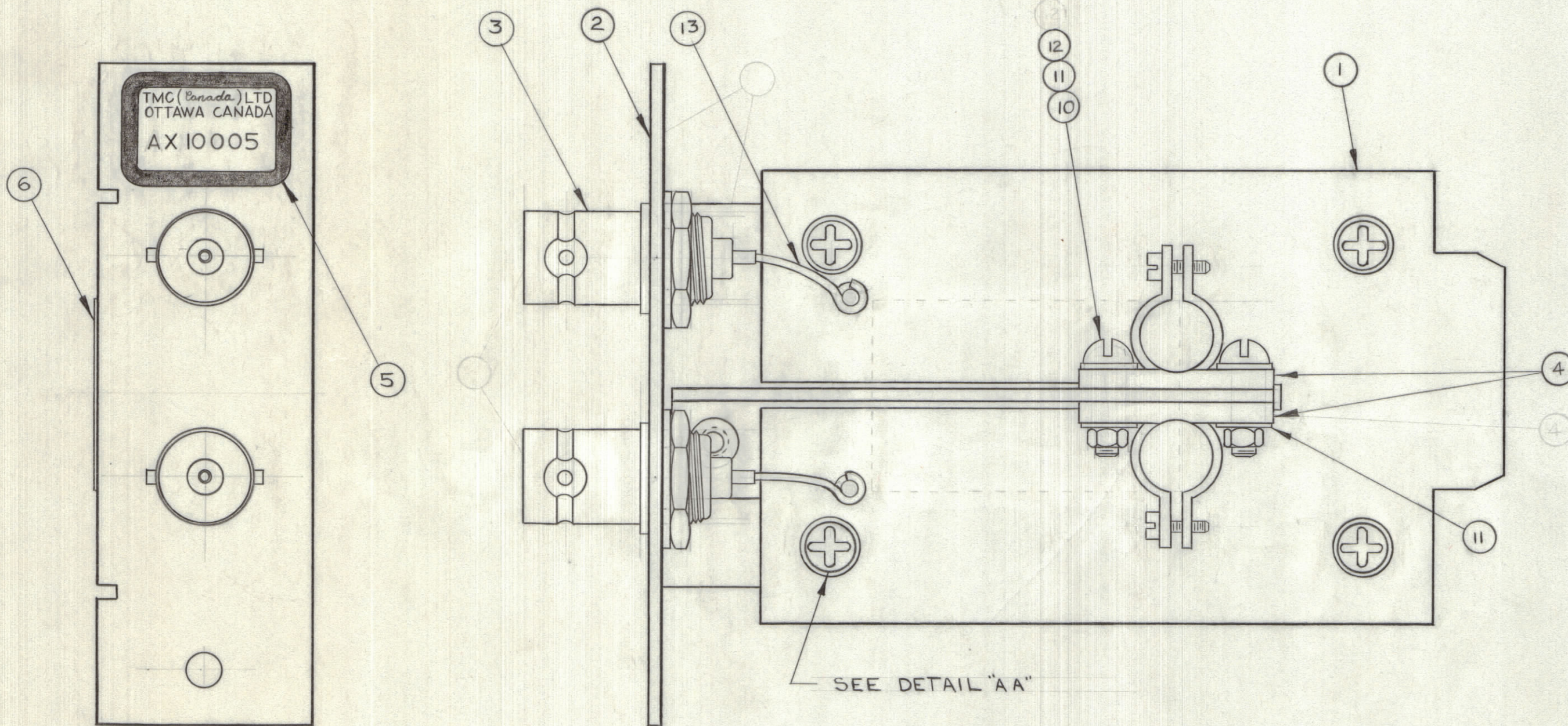
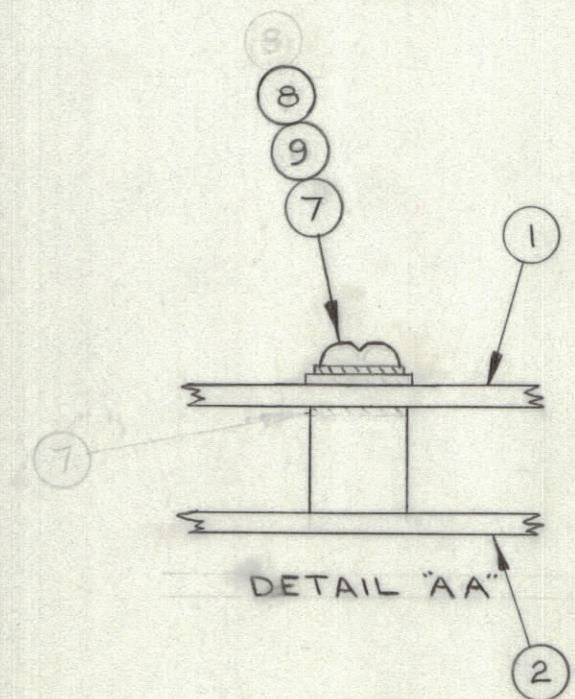


IF IT IS FOUND DESIRABLE TO CHANGE ANY TOLERANCE OR OTHER DETAIL SPECIFIED ON THIS DRAWING NOTIFY THE PURCHASER PROMPTLY.		DIMENSIONS IN INCHES UNLESS OTHERWISE SPECIFIED					
MAXIMUM ALLOWABLE TOLERANCES HAVE BEEN DETERMINED AND DEVIATIONS WILL BE CAUSE FOR REJECTION. REMOVE ALL BURRS AND SHARP EDGES.							
ISSUE	ITEM	CHANGED FROM	DATE	CN. NO.	DRAFTS	CHECKER	ENG. APP.
A	7	WAS QTY 8	9-2-66		RD		<i>[Signature]</i>

REQ.	ITEM	PART NO.	DESCRIPTION	SYMBOL
1	1	A 10385	ASS'Y, OUTPUT P.C. BOARD	
1	2	A 10384	ASS'Y, OUTPUT MODULE CHASSIS	
2	3	UG 625B/U	CONNECTOR, R.F.	
2	4	HD10001	SINK, HEAT CONDUCTING	
1	5	NP10131	NAMEPLATE, AX10005	
1	6	NP 10090	PLATE, MANUFACTURING NUMBER	
4	7	LWE04MRN	WASHER, EXTERNAL LOCK	
4	8	SCBP0440BN4	SCREW, MACHINE 4-40	
4	9	FW04HBN	WASHER, FLAT	
2	10	SCRPO44-0BN7	SCREW, MACHINE 4-40	
4	11	LWI04MRN	WASHER, INTERNAL LOCK	
2	12	NTH0440BN6	NUT, HEX, 4-40	
AR	13	WL100-7	WIRE, BUSS BAR #22	



A10386 A



TOLERANCES		SCALE: NTS
ALL OTHERS	DEC. DIM. ± FRAC. DIM. ± ANGULAR DIM. ±	DRILL, PUNCH, COMMERCIAL STOCK SIZES AND MANUFACTURERS TOLERANCES ARE NOT INCLUDED.

AX10005	020/66		DEC 29/65
MODEL	PROJECT NO.	ASS'Y. NO.	DATE

STOCK SIZE		TMC (Canada) LIMITED OTTAWA ONTARIO	
MATERIAL		OUTPUT MODULE, FINAL ASS'Y.	
TYPE & TEMPER		RL	<i>[Signature]</i>
HEAT TREAT. SPEC.		DRAWN	ELEC. DES. APP. <i>[Signature]</i>
FINISH & SPEC. NO.		CHECKED	MECH. DES. APP. <i>[Signature]</i>
		FINAL APPROVAL	
		A10386 A	