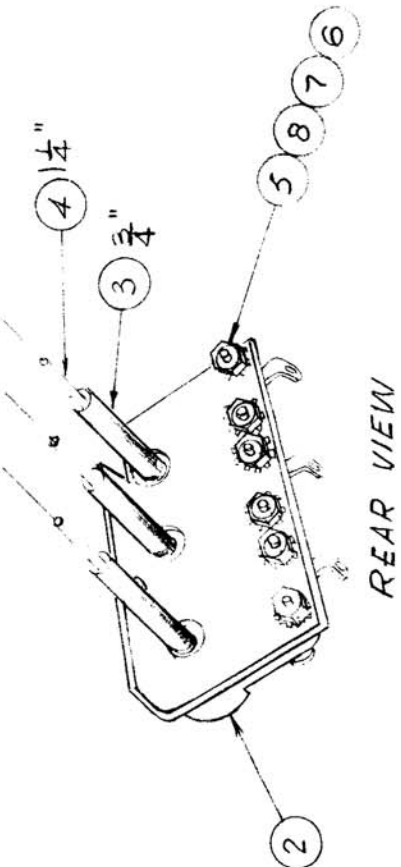
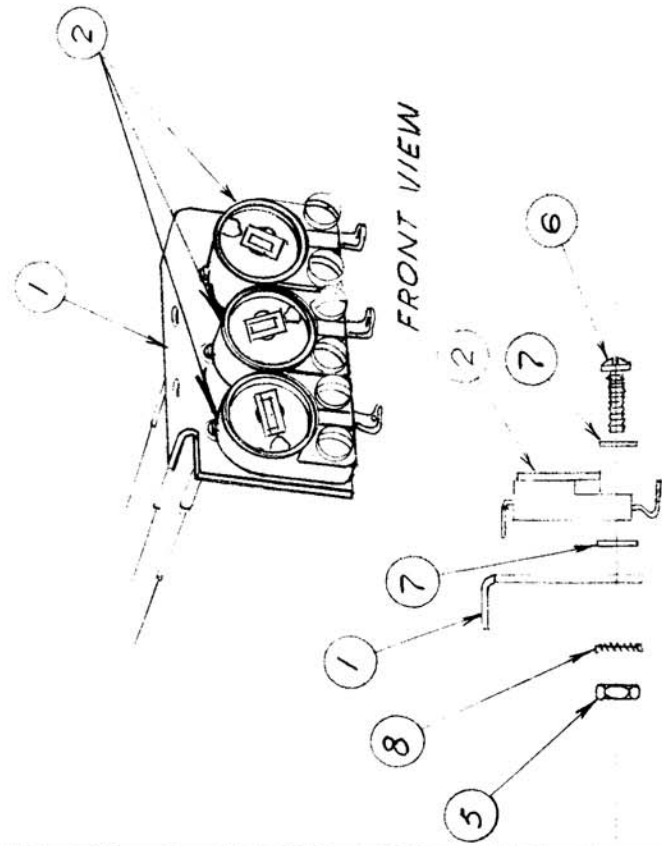


IF IT IS FOUND DESIRABLE TO CHANGE ANY TOLERANCE OR OTHER DETAIL SPECIFIED ON THIS DRAWING NOTIFY THE PURCHASER PROMPTLY.

MAXIMUM ALLOWABLE TOLERANCES HAVE BEEN DETERMINED AND DEVIATIONS WILL BE CAUSE FOR REJECTION. REMOVE ALL BURRS AND SHARP EDGES



REAR VIEW



FRONT VIEW

NOTICE TO PERSONS RECEIVING THIS DRAWING

THE TECHNICAL MATERIAL CORPORATION claims proprietary right in the patent rights and design of this drawing as issued to the undersigned by the U.S. Patent Office. This drawing is the property of THE TECHNICAL MATERIAL CORPORATION, 1000 W. 12th St., New York, N.Y. 10019. All rights reserved.

Property of

THE TECHNICAL MATERIAL CORPORATION
MAMARONECK, NEW YORK

A-10308

USED ON

MODEL	PROJECT NO.	ASSY. NO.	DATE
RFA-1			1 MAR 1961

REQ.	ITEM	PART NO.	DESCRIPTION	SYMBOL
6	8	LWE04MRN	WASHER LOCK	
12	7	WA-109-17	WASHER FIBRE	
6	6	SCBS0440BN7	SCREW	
6	5	NTH0440BN6	NUT	
3	4	PX-104-1-034	SLEEVING BLACK	
3	3	PX-100-1-125	SLEEVING BLACK	
3	2	CV11C300	CAPACITOR TRIMMER	
1	1	MS-10404	BRACKET	

TMC (Canada) LIMITED
OTTAWA ONTARIO
TRIMMER SUB ASSY
PAL-350

WH DAIVISON	ELEC. DES. APP.	MECH. DES. APP.
DRAWN		
CHECKED		
FINAL APPROVAL		
A-10308		

ISSUE	ITEM	CHANGED FROM	DATE	CN. NO.	DRAFTS	CHECKER	ENG. APP.
TOLERANCES							
SCALE N.T.S.							
DIMENSIONS IN INCHES UNLESS OTHERWISE SPECIFIED							
DRILL, PUNCH, COMMERCIAL STOCK SIZES AND MANUFACTURERS TOLERANCES ARE NOT INCLUDED.							
ALL OTHERS	DEC. DIM. ±	FRAC. DIM. ±	ANGULAR DIM. ±				