

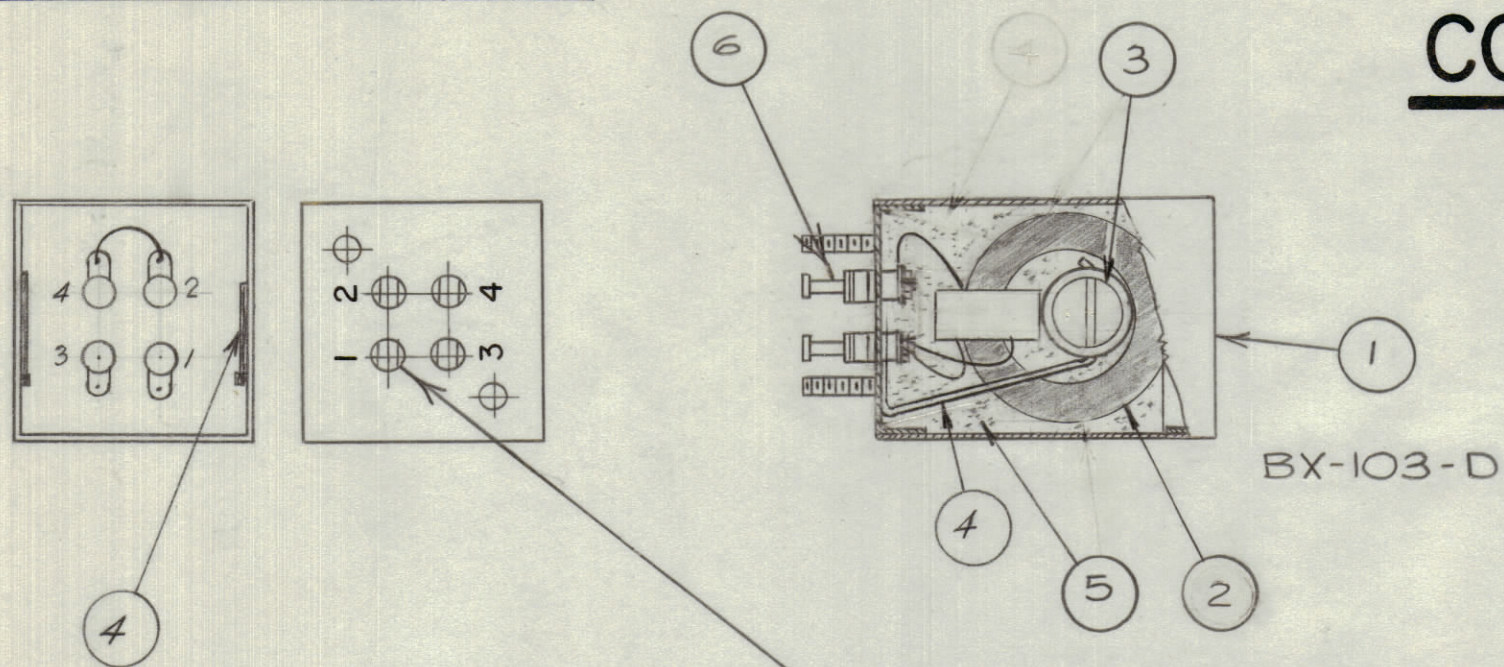
IF IT IS FOUND DESIRABLE TO CHANGE ANY TOLERANCE OR OTHER DETAIL SPECIFIED ON THIS DRAWING NOTIFY THE PURCHASER PROMPTLY.

MAXIMUM ALLOWABLE TOLERANCES HAVE BEEN DETERMINED AND DEVIATIONS WILL BE CAUSE FOR REJECTION. REMOVE ALL BURRS AND SHARP EDGES

CONFIDENTIAL

NOT TO BE RELEASED
W/O AUTHORIZATION

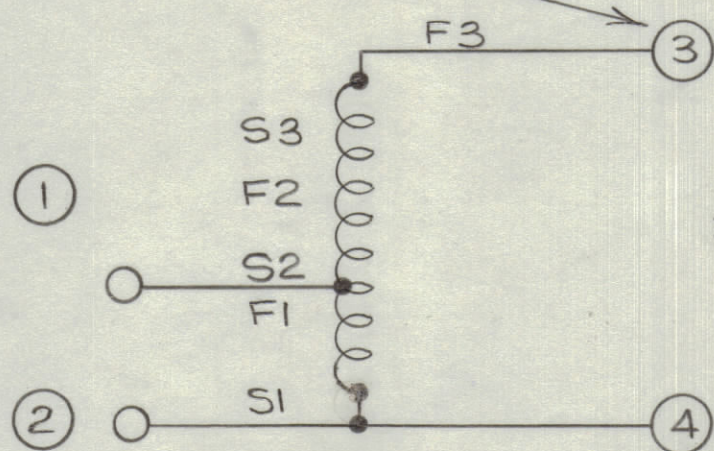
AUTH. BY _____
DATE: _____



NOTE: S-114 ZINC CHROMATE PRIMER.
S-115 SMOOTH GREY ENAMEL.

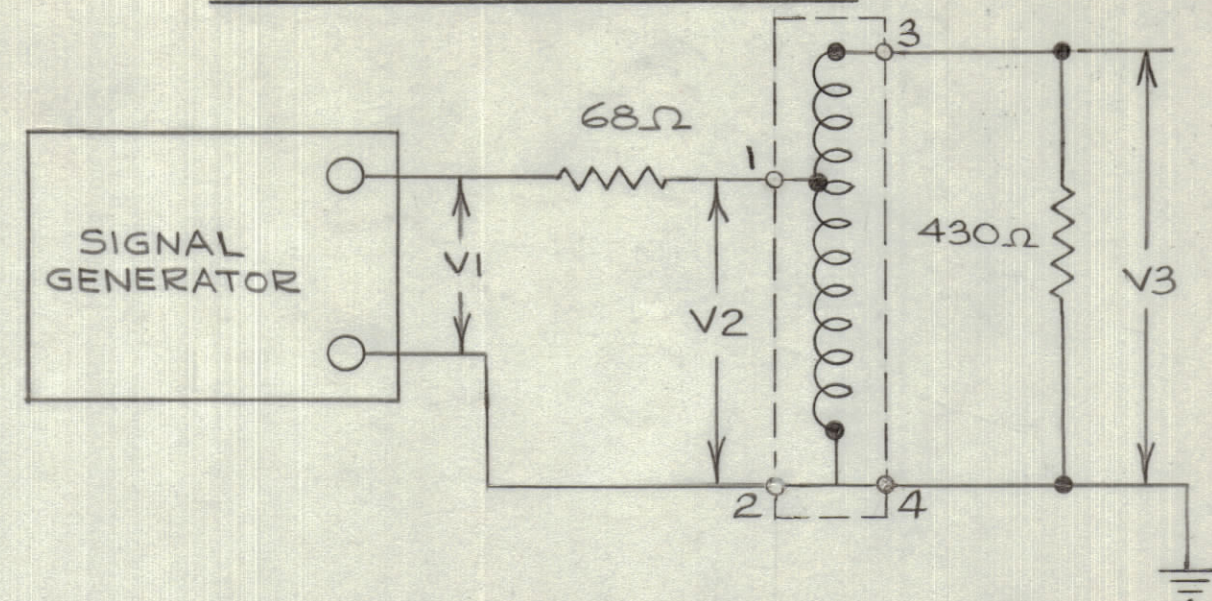
BX-103-D

NUMBERS IN CIRCLES INDICATE TERMINAL NUMBERS AS SHOWN ON COVER



1-2 INPUT 75Ω UNBALANCED
3-4 OUTPUT 400Ω UNBALANCED

ELECTRICAL TEST DATA



f	RF VOLTS*		
fmcs	V1	V2	V3
2	1.0 ± .02	1.20 ± .02	
8	1.0 ± .02	1.20 ± .02	
24	1.0 ± .02	1.20 ± .02	
32	1.0 ± .02	1.10 ± .02	

*VOLTAGES MEASURED WITH H.P.V.T.V.M. OR EQUIVALENT

NOTICE TO PERSONS RECEIVING THIS DRAWING

A10296 A

THE TECHNICAL MATERIEL CORPORATION claims proprietary right in the material disclosed herein. This drawing is issued in confidence for engineering information only and may not be reproduced or used to manufacture anything shown herein without permission from THE TECHNICAL MATERIEL CORPORATION to the user. This drawing is loaned for mutual assistance and is subject to recall at any time.

Property of:
THE TECHNICAL MATERIEL CORPORATION
MAMARONECK, NEW YORK

-	12	WI10001-11	WIRE, NO. 30 D.C.C.
-	11	GL10001	RADIO CEMENT (2 COATS)
1	10	TA10001-2	7 LAYERS TAPE MASKING
1	9		6
1	8		2
1	7		5
4	6	TE126	BUSHING, TURRET HEAD
-	5	GL-106	POTTING COMPOUND
2	4	MS10259	STABILIZER
1	3	CF100014	COIL FORM
1	2	CI10001-2	CORE 4B GREEN
1	1	BX103-D	CASE TRANSFORMER

REQ.	ITEM	PART NO.	DESCRIPTION	SYMBOL
TMC (Canada) LIMITED OTTAWA ONTARIO				
TRANSFORMER TR-071 ASS'Y.				
MATERIAL		WEIGHT PER PC.		
TYPE & TEMPER		DRAWN		JPC
HEAT TREAT. SPEC.		ELEC. DES. APP.		M.K.
FINISH & SPEC. NO.		MECH. DES. APP.		love
CHECKED				FINAL APPROVAL
				A10296 A

A	1	IN BOM ITEM 2 CI-10001-2 CORE 4B GREEN WAS CI-10001 CORE ITEM 10 TA-10001-2 WAS TA-10001 TEST DATA REVISED DWG CHANGED PICTORIALY	26 JAN 1961	WHD	GA.	M.K.	
ISSUE	ITEM	CHANGED FROM	DATE	CN. NO.	DRAFTS	CHECKER	ENG. APP.
TOLERANCES			SCALE: NTS				
ALL OTHERS	DEC. DIM. ± FRAC. DIM. ± ANGULAR DIM. ±	DRILL, PUNCH, COMMERCIAL STOCK SIZES AND MANUFACTURERS TOLERANCES ARE NOT INCLUDED.					

BAA-1			DEC. 14/60
MODEL	PROJECT NO.	ASS'Y. NO.	DATE
USED ON			