

IF IT IS FOUND DESIRABLE TO CHANGE ANY TOLERANCE OR OTHER DETAIL SPECIFIED ON THIS DRAWING NOTIFY THE PURCHASER PROMPTLY.

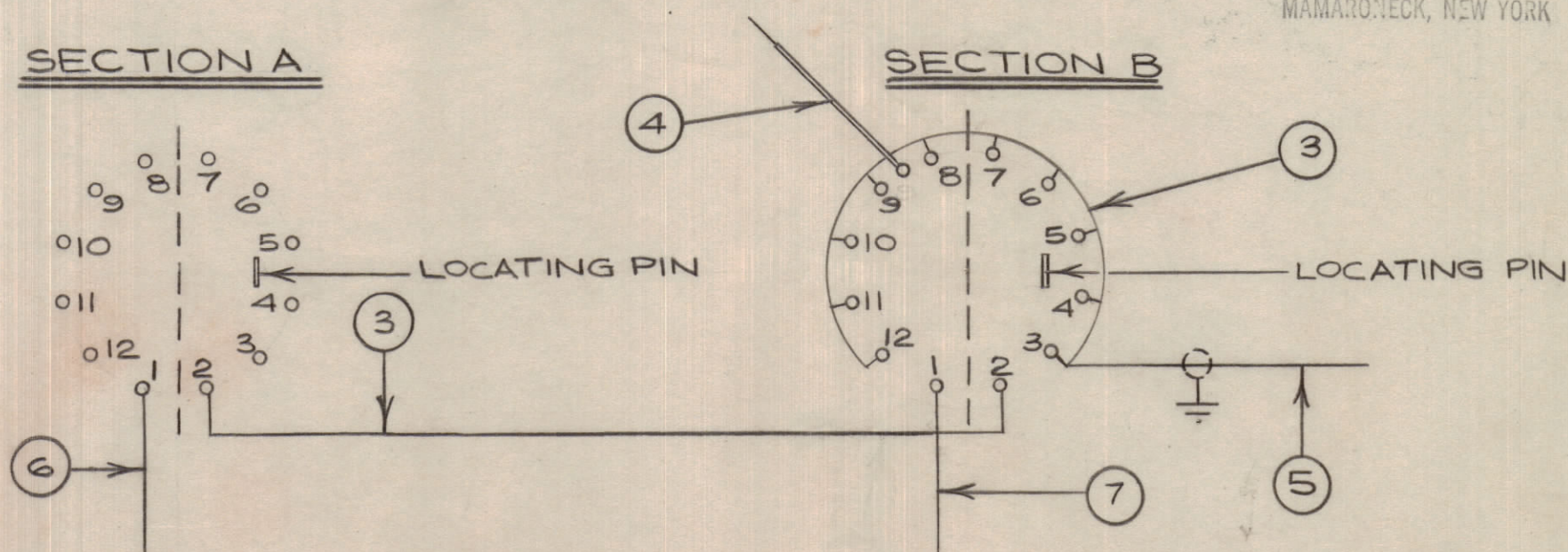
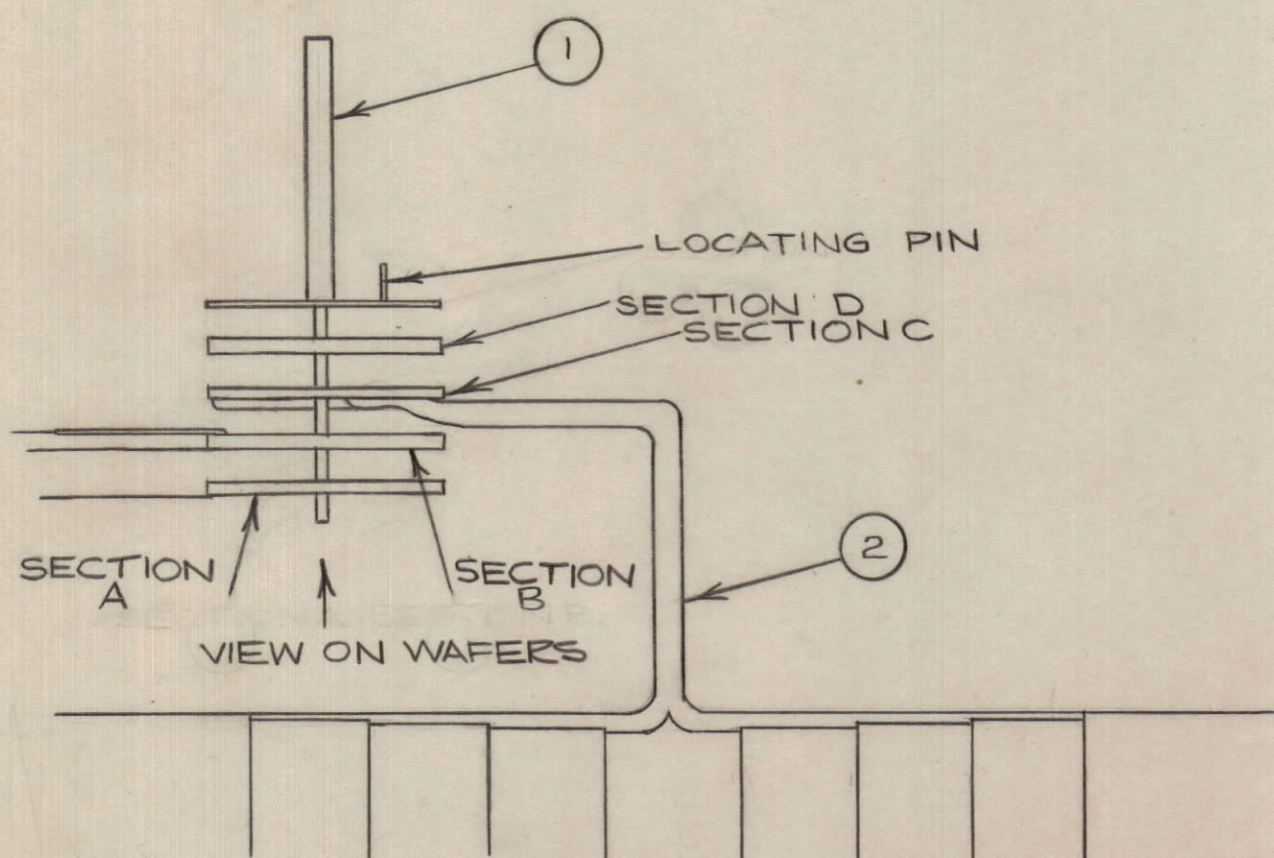
MAXIMUM ALLOWABLE TOLERANCES HAVE BEEN DETERMINED AND DEVIATIONS WILL BE CAUSE FOR REJECTION. REMOVE ALL BURRS AND SHARP EDGES

NOTICE TO PERSONS RECEIVING THIS DRAWING

THE TECHNICAL MATERIEL CORPORATION claims proprietary right in the material disclosed herein. This drawing is issued in confidence for engineering information only and may not be reproduced or used to manufacture anything shown herein without permission from THE TECHNICAL MATERIEL CORPORATION to the user. This drawing is loaned for mutual assistance and is subject to recall at any time.

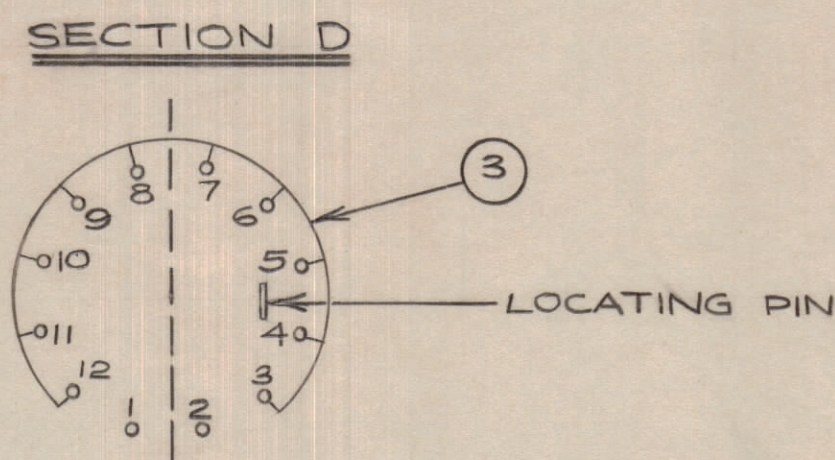
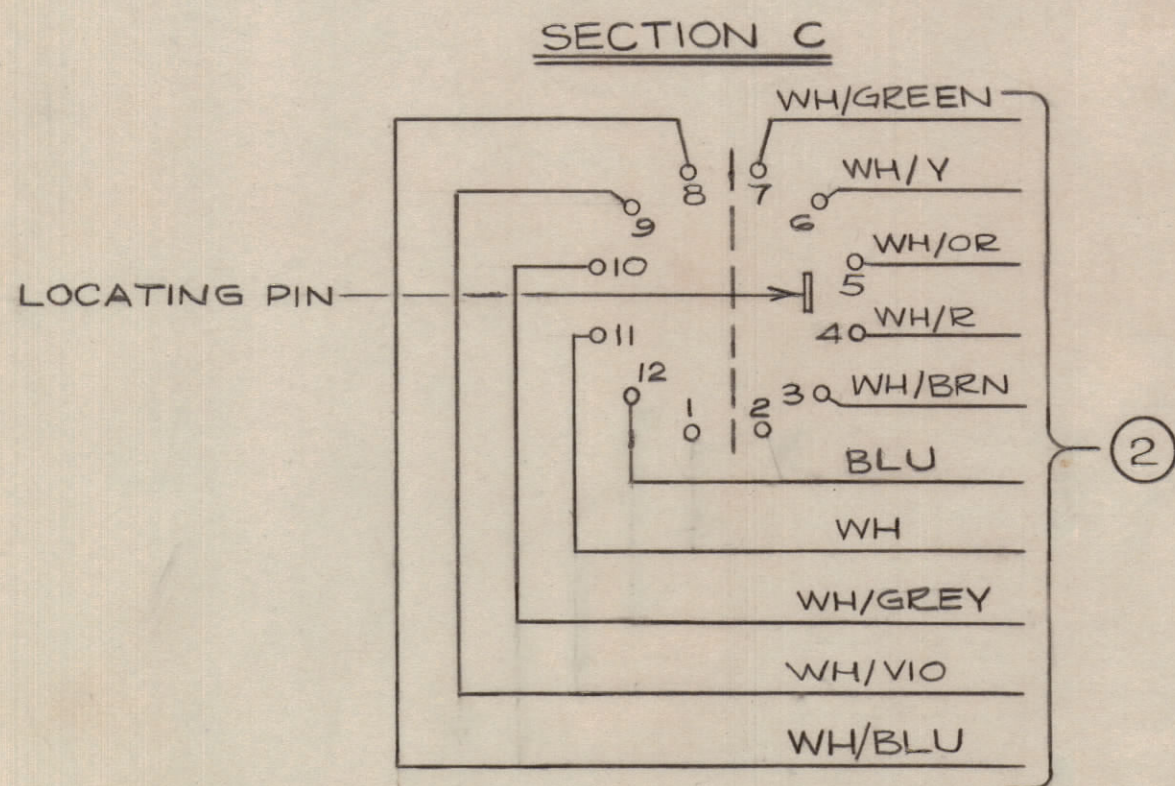
Property of:

THE TECHNICAL MATERIEL CORPORATION
MAMARONECK, NEW YORK



NOTE: BEFORE WIRING REMOVE ALL STOPS OF SWITCH ITEM 1.

A10293 B



3 1/4	7	MWC22(7)U95	WIRE, NO. 22 - WH/GRN
3 1/2	6	MWC22(7)U5	WIRE, NO. 22 - GRN.
-	5	CA10132	COAXIAL LEAD
3 1/2	4	WI10003	ANSTAT, WIRE
A.R.	3	WL100-7	WIRE, BUSS NO. 22.
1	2	CA10115	CABLE ASS'Y.
1	1	SW10018	SWITCH

REQ.	ITEM	PART NO.	DESCRIPTION	SYMBOL
TMC (Canada) LIMITED OTTAWA ONTARIO				
STOCK SIZE				
MATERIAL WEIGHT PER PC.				
TYPE & TEMPER				
HEAT TREAT. SPEC.				
FINISH & SPEC. NO.				

B		ITEM 4 WAS 2 7/8, ITEM 6 WAS 1 3/4, ITEM 7 WAS 2	5/25/64	8267	A.M.	<i>a</i>	<i>[Signature]</i>
A	4	WAS 2 1/2 NOTE ADDED	AUG 30/61		JPC	<i>J.P.C.</i>	<i>[Signature]</i>
ISSUE	ITEM	CHANGED FROM	DATE	CN. NO.	DRAFTS	CHECKER	ENG. APP.
TOLERANCES				SCALE: N.T.S.			
ALL OTHERS	DEC. DIM. ± FRAC. DIM. ± ANGULAR DIM. ±	DRILL, PUNCH, COMMERCIAL STOCK SIZES AND MANUFACTURERS TOLERANCES ARE NOT INCLUDED.					

DA101	CE5107	23/11/60
MODEL	PROJECT NO.	ASS'Y. NO.
USED ON		

A10293 B