

IF IT IS FOUND DESIRABLE TO CHANGE ANY TOLERANCE OR OTHER DETAIL SPECIFIED ON THIS DRAWING NOTIFY THE PURCHASER PROMPTLY.

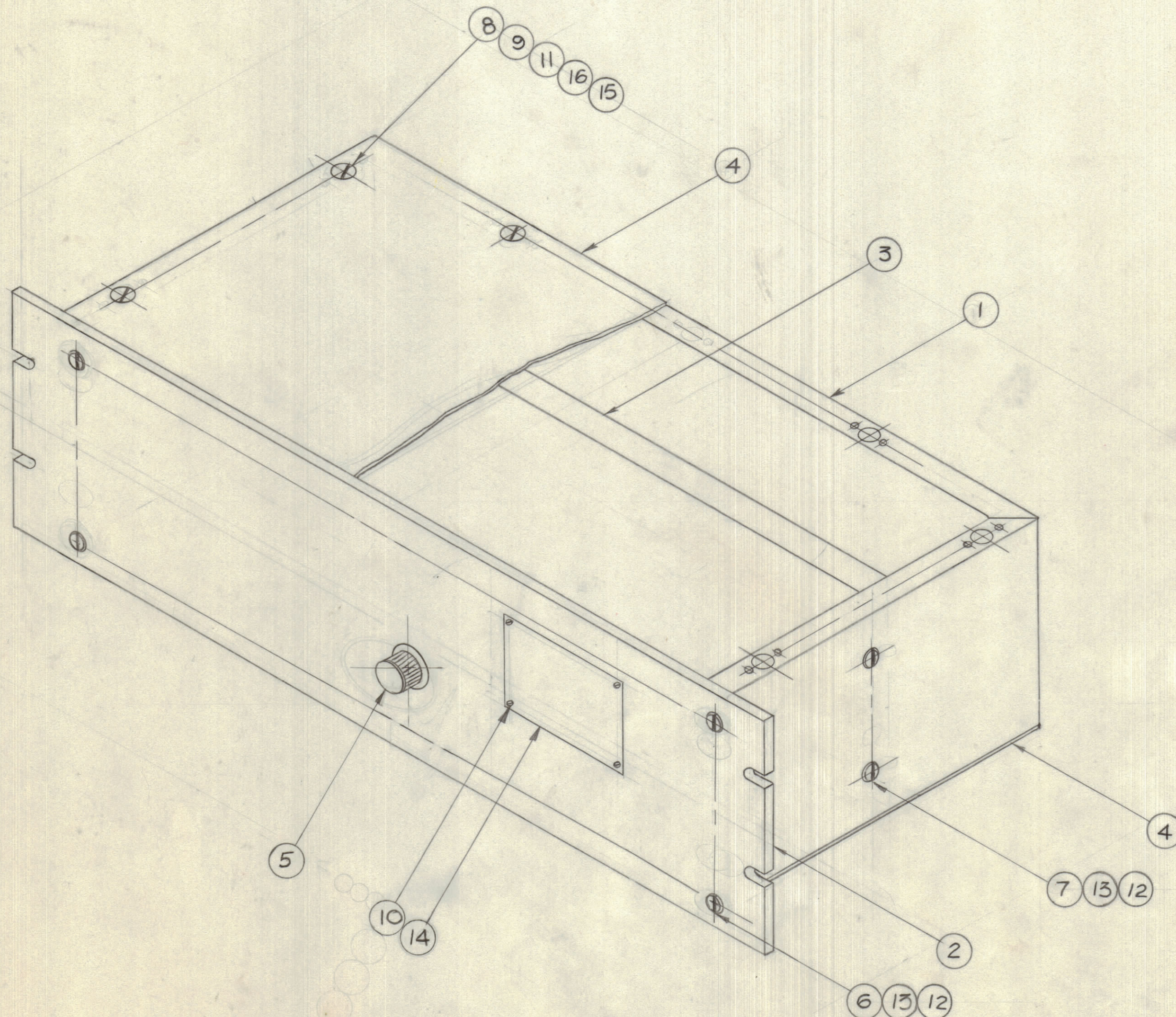
MAXIMUM ALLOWABLE TOLERANCES HAVE BEEN DETERMINED AND DEVIATIONS WILL BE CAUSE FOR REJECTION. REMOVE ALL BURRS AND SHARP EDGES

NOTICE TO PERSONS RECEIVING THIS DRAWING

THE TECHNICAL MATERIEL CORPORATION claims proprietary right in the material disclosed hereon. This drawing is issued in confidence for engineering information only and may not be reproduced or used to manufacture anything shown hereon without permission from THE TECHNICAL MATERIEL CORPORATION to the user. This drawing is loaned for mutual assistance and is subject to recall at any time.

Property of:

THE TECHNICAL MATERIEL CORPORATION
MAMARONECK, NEW YORK



A10230

24	16	NTH0348BN6	NUT	PLATE
24	15	LW103MRN	WASHER	
1	14		NAMED	PLATE
8	13	NTH0832BN10	NUT	SHER
8	12	LW108MRN	WASHER	
24	11	SCFS0348BN4	SCREW	
24	10	SC110-A	SCREW	
12	9	FS102-1	SPRING	
12	8	FS110-4	STUD	
4	7	SCBS0832BN6	SCREW	
4	6	SCBS0832BN8	SCREW	
1	5	TS106-A	PILOT LIGHT	
2	4	MS10351	COVER PLATE	
1	3	MS10349	BARRIER	
1	2	MS10350	PANEL	
1	1	MS10348	CHASSIS	

REQ.	ITEM	PART No.	DESCRIPTION	SYMBOL
TMC (Canada) LIMITED				
		OTTAWA		ONTARIO
ASSEMBLY OF				
CTRP -2				
TYPE & TEMPER		JPC	DRAWN	
HEAT TREAT. SPEC.		DCM	ELEC. DES. APP.	
FINISH & SPEC. No.			MECH. DES. APP.	
			FINAL APPROVAL	
			A10230	

ISSUE	ITEM	CHANGED FROM	DATE	CN. NO.	DRAFTS	CHECKER	ENG. APP.
TOLERANCES							
				SCALE: 1:2			
ALL OTHERS		DEC. DIM. ±		DRILL, PUNCH, COMMERCIAL STOCK			
		FRAC. DIM. ±		SIZES AND MANUFACTURERS			
		ANGULAR DIM. ±		TOLERANCES ARE NOT INCLUDED.			

CTRP-2 P5002 AUG.24/59

MODEL	PROJECT No.	ASS'Y. No.	DATE
-------	-------------	------------	------