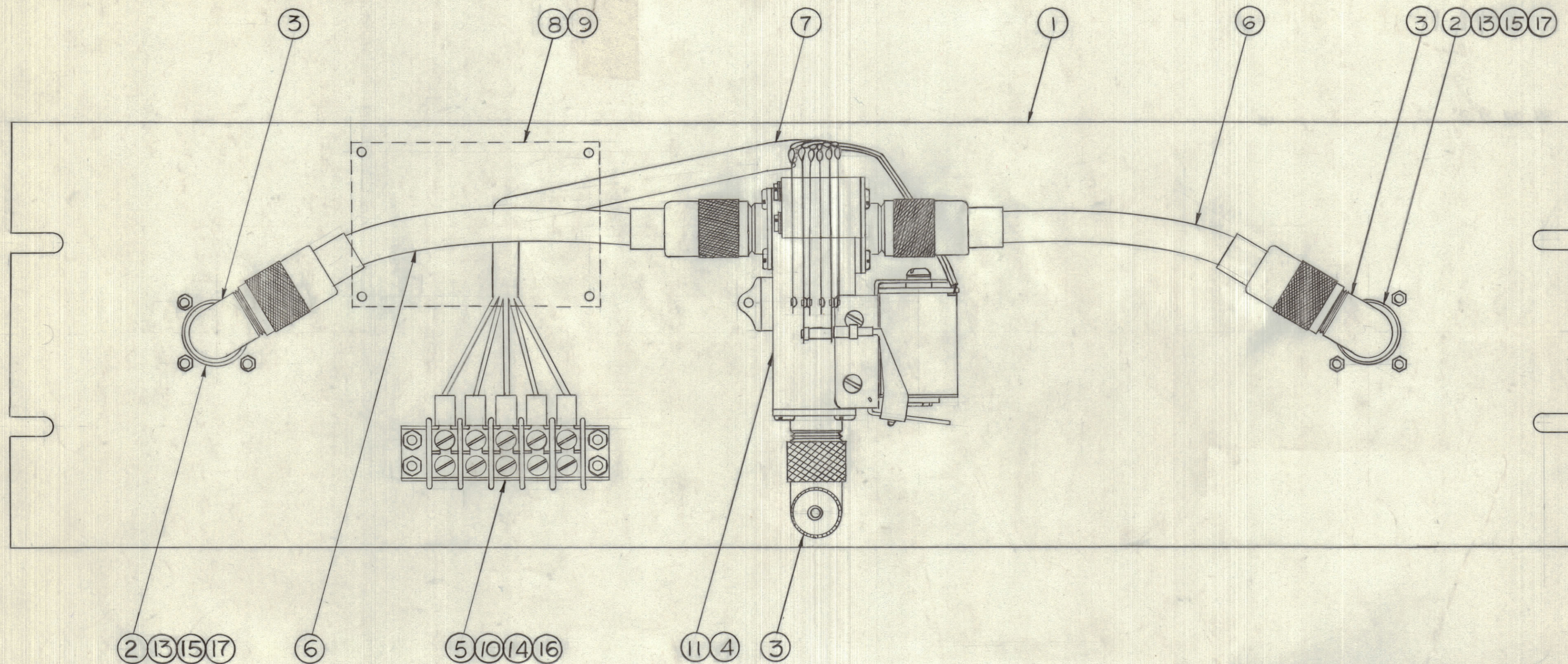


IF IT IS FOUND DESIRABLE TO CHANGE ANY TOLERANCE OR OTHER DETAIL SPECIFIED ON THIS DRAWING NOTIFY THE PURCHASER PROMPTLY.

MAXIMUM ALLOWABLE TOLERANCES HAVE BEEN DETERMINED AND DEVIATIONS WILL BE CAUSE FOR REJECTION. REMOVE ALL BURRS AND SHARP EDGES



A10077

8	17	LWS04MRN	LOCKWASHER
4	16	LW106MRN	"
8	15	NTH0440BN6	NUT
4	14	NTH0632BN8	"
8	13	SCBS0440BN5	SCREW
2	11	SCBS0632BN5	"
4	10	SCBS0632BN12	"
4	9	SC102-1	"
1	8	NP10056	NAMEPLATE
1	7	CA10030	HARNESS
2	6	CA10044	CABLE ASS'Y
1	5	TM102-5	TERMINAL BOARD
1	4	RL10010	RELAY
3	3	UG646U	CONNECTOR
2	2	JJ147	"
1	1	MS10364	FRONT PANEL

REQ.	ITEM	PART NO.	DESCRIPTION	SYMBOL
TMC (Canada) LIMITED OTTAWA ONTARIO				
ASSEMBLY OF CARP-1				
DRAWN		JPC <i>R.W. Thomas</i>		
CHECKED		MECH. DES. APP.		
		FINAL APPROVAL		
				A10077

NOTICE TO PERSONS RECEIVING THIS DRAWING

THE TECHNICAL MATERIEL CORPORATION claims proprietary right in the material disclosed hereon. This drawing is issued in confidence for engineering information only and may not be reproduced or used to manufacture anything shown hereon without permission from THE TECHNICAL MATERIEL CORPORATION to the user. This drawing is loaned for mutual assistance and is subject to recall at any time.

Property of:
THE TECHNICAL MATERIEL CORPORATION
MAMARONECK, NEW YORK

CARP-1 CE5004-A

OCT. 23/59

MODEL	PROJECT No.	ASS'Y. No.	DATE

ISSUE	ITEM	CHANGED FROM	DATE	CN. NO.	DRAFTS	CHECKER	ENG. APP.
TOLERANCES							
SCALE: NTS				DRILL, PUNCH, COMMERCIAL STOCK SIZES AND MANUFACTURERS TOLERANCES ARE NOT INCLUDED.			
ALL OTHERS	DEC. DIM. ±	FRAC. DIM. ±	ANGULAR DIM. ±				