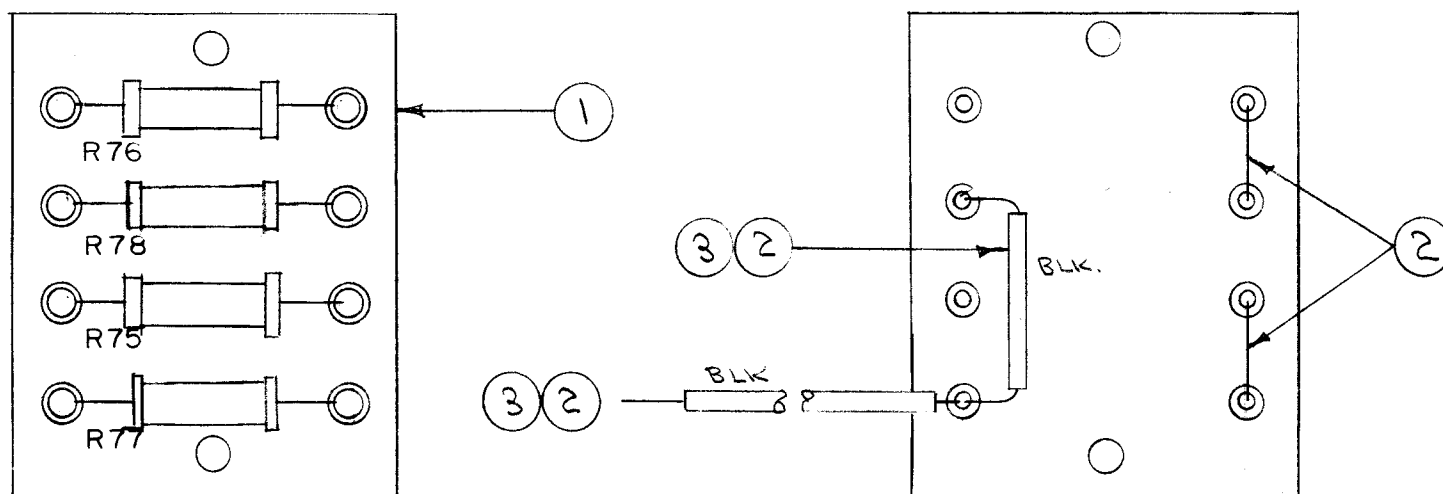


IF IT IS FOUND DESIRABLE TO CHANGE ANY TOLERANCE OR OTHER DETAIL SPECIFIED ON THIS DRAWING NOTIFY THE PURCHASER PROMPTLY.

MAXIMUM ALLOWABLE TOLERANCES HAVE BEEN DETERMINED AND DEVIATIONS WILL BE CAUSE FOR REJECTION. REMOVE ALL BURRS AND SHARP EDGES

A-1063



**NOTICE TO PERSONS RECEIVING THIS DRAWING**

THE TECHNICAL MATERIEL CORPORATION claims proprietary right in the material disclosed hereon. This drawing is issued in confidence for engineering information only and may not be reproduced or used to manufacture anything shown hereon without permission from THE TECHNICAL MATERIEL CORPORATION to the user. This drawing is loaned for mutual assistance and is subject to recall at any time.

Property of:  
THE TECHNICAL MATERIEL CORPORATION  
MAMARONECK, NEW YORK

1	7	RN 70-5602F	RESISTOR, FIXED	R76
1	6	RN 70-5602F	" " "	R75
2	5	RN 70-2201F	" " "	R78 R77
X	4	BS-100	SOLDER, SOFT	
X	3	PX-104-1.022	INSULATION, SLEEVING	
X	2	WL-100-7	WIRE, BUSS BAR, 22 GA	
1	1	A-1062	TERM. BD. SUB ASSY.	
REQ. ITEM	PART NO.		DESCRIPTION	SYMBOL
			<b>THE TECHNICAL MATERIEL CORP.</b> MAMARONECK. NEW YORK	
STOCK SIZE			LOW VOLTAGE DIVIDER TERM.	
MATERIAL			BOARD ASSY. FSS	
WEIGHT PER PC.			CDD 7-28-55 2B WJ	
TYPE & TEMPER			DRAWN ELEC. DES. APP. MECH. DES. APP.	
			JAL KZ A.J.J.	
HEAT TREAT. SPEC.			CHECKED FINAL APPROVAL	
			A-1063	
FINISH & SPEC. NO.				

ISSUE	ITEM	CHANGED FROM	DATE	CN. NO.	DRAFTS	CHECKER	ENG. APP.
TOLERANCES			SCALE:				
ALL OTHERS	DEC. DIM. ±	DRILL, PUNCH, COMMERCIAL STOCK					
	FRAC. DIM. ±	SIZES AND MANUFACTURERS					
	ANGULAR DIM. ±	TOLERANCES ARE NOT INCLUDED.					
1	FSS	PROJECT NO.	ASSY. NO.	7-28-55			
REQ. PER UNIT	USED ON						