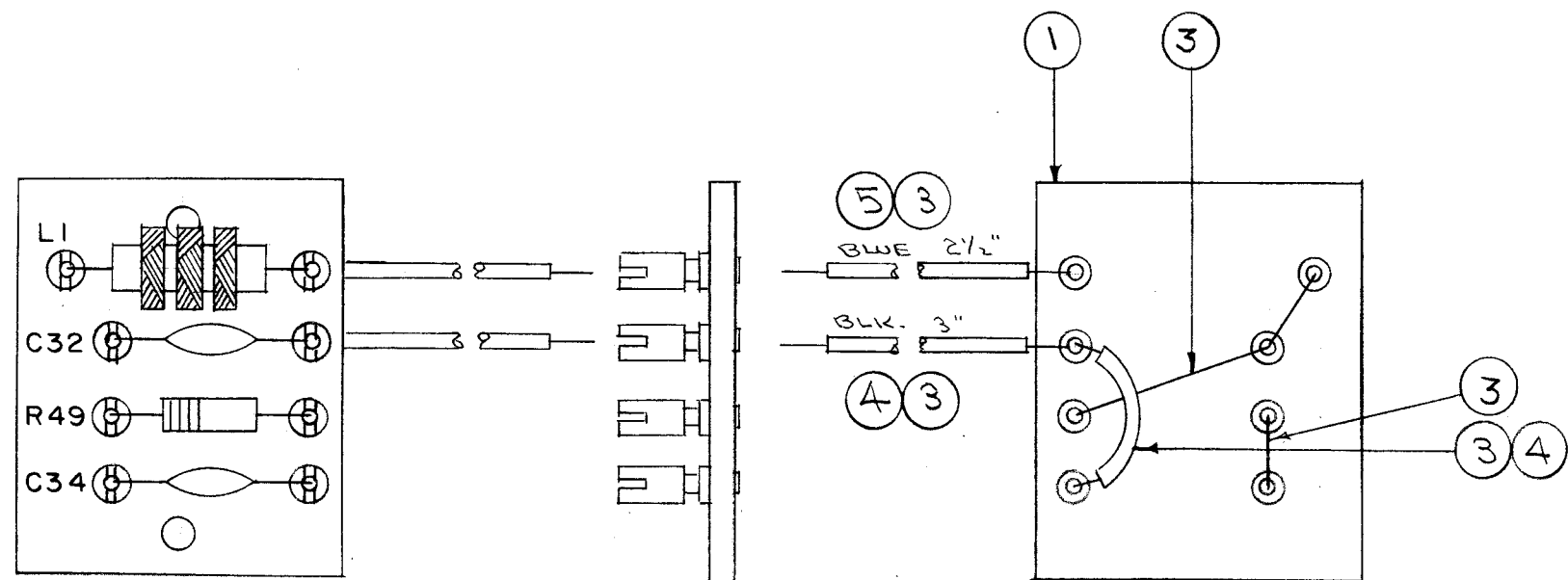


IF IT IS FOUND DESIRABLE TO CHANGE ANY TOLERANCE OR OTHER DETAIL SPECIFIED ON THIS DRAWING NOTIFY THE PURCHASER PROMPTLY.

MAXIMUM ALLOWABLE TOLERANCES HAVE BEEN DETERMINED AND DEVIATIONS WILL BE CAUSE FOR REJECTION. REMOVE ALL BURRS AND SHARP EDGES

A-1055



**NOTICE TO PERSONS RECEIVING THIS DRAWING**  
 THE TECHNICAL MATERIEL CORPORATION claims proprietary right in the material disclosed hereon. This drawing is issued in confidence for engineering information only and may not be reproduced or used to manufacture anything shown hereon without permission from THE TECHNICAL MATERIEL CORPORATION to the user. This drawing is loaned for mutual assistance and is subject to recall at any time.  
 Property of:  
**THE TECHNICAL MATERIEL CORPORATION**  
 MAMARONECK, NEW YORK

1	9	RC42GF473K	RESISTOR, FIXED 2W	R49
1	8	CL-101-A	INDUCTOR, 3 PI	L1
2	7	CC-100-16	CAPACITOR, FIXED	C32 C34
X	6	BS-100	SOLDER, SOFT	
X	5	PX-104-6.022	INSULATION, SLEEVING BLUE	
X	4	PX-104-1.022	" " " BLACK	
X	3	WL-100-7	WIRE, BUSS BAR 22 GA.	
#	2	#	DELETED	
1	1	A-1028	TERM. BD. SUB ASSY	

REQ. ITEM	PART NO.	DESCRIPTION	SYMBOL
<b>THE TECHNICAL MATERIEL CORP.</b> MAMARONECK, NEW YORK			
STOCK SIZE		XTAL. OSC. TERMINAL BOARD	
MATERIAL		ASSEMBLY FSS	
WEIGHT PER PC.		CDD 7-22-55	
TYPE & TEMPER		DRAWN	ELEC. DES. APP. MECH. DES. APP.
HEAT TREAT. SPEC.		FAID	KZ A.J.J.
FINISH & SPEC. NO.		CHECKED	FINAL APPROVAL
		A-1055	

ISSUE	ITEM	CHANGED FROM	DATE	CN. NO.	DRAFTS	CHECKER	ENG. APP.
TOLERANCES				SCALE:			
ALL OTHERS	DEC. DIM. ±	FRAC. DIM. ±	ANGULAR DIM. ±	DRILL, PUNCH, COMMERCIAL STOCK SIZES AND MANUFACTURERS TOLERANCES ARE NOT INCLUDED.			

1	FSS			7-22-55
REQ. PER UNIT	MODEL	PROJECT NO.	ASSY. NO.	DATE
USED ON				