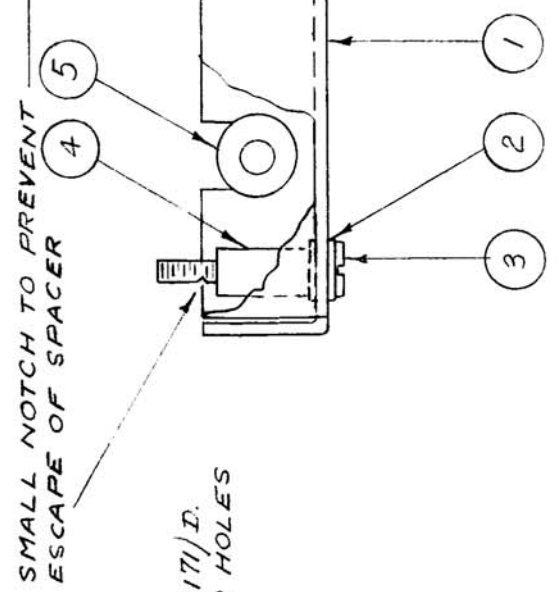
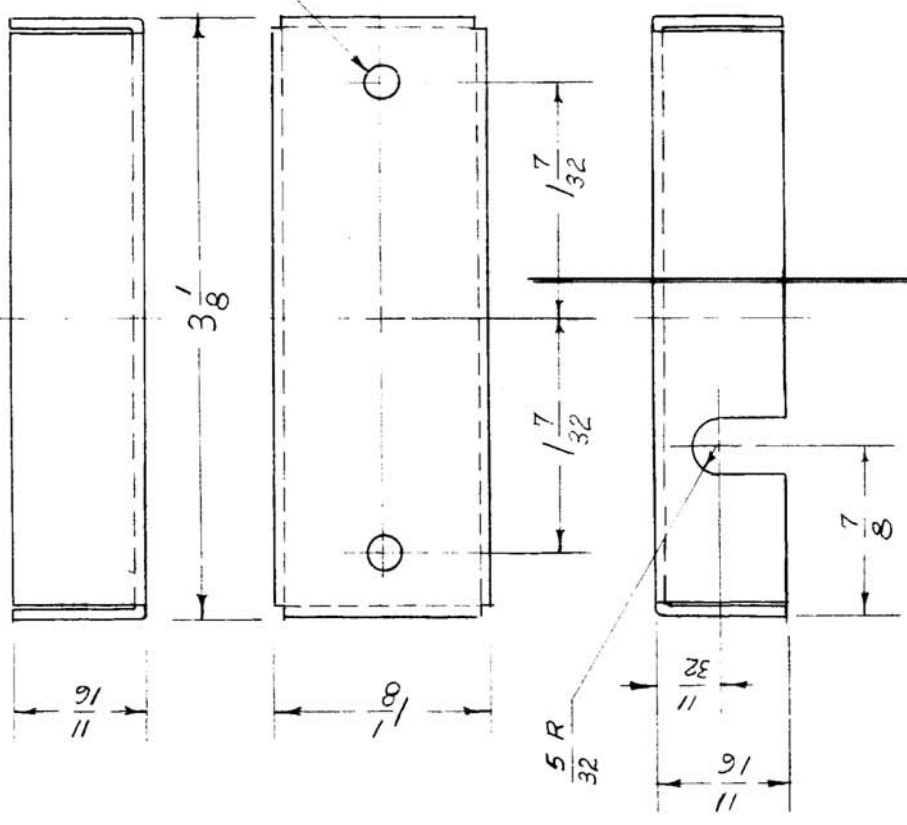


REQ. PER UNIT: 1
 MODEL: FSS
 ASSY. NO.: G-23-SS
 DATE: 6-23-55
 USED ON: A-1042
 A



REQ. ITEM	PART NO.	DESCRIPTION	SYMBOL
1	EY-102-2	GROMMET	
2	TE-135-3	SPACER, THREADED	
2	SCBS0632BC16	SCREW, MACHINE	
4	FW06MRC	WASHER, FLAT	
1	MS-656	OVEN A.C. SHIELD (NO DWG.)	

REQ. ITEM	PART NO.	DESCRIPTION	SYMBOL
THE TECHNICAL MATERIEL CORP. MAMARONECK, NEW YORK			
OVEN A.C. SHIELD ASS'Y.			
MODEL FSS			
525-H32		DRAWN: JMS	CHECKED: JMS
TYPE & TEMPER		HEAT TREAT. SPEC.	
S-404-IRIDITE			
FINISH & SPEC. NO.		ELEC. DES. APP. MECH. DES. APP.	
		DRAWN: RB	
		CHECKED: RB	
		FINAL APPROVAL: KZ A.J.J.	
		A-1042	
		A	

ISSUE ITEM	CHANGED FROM	DATE	CH. NO.	DRAFTS	CHECKER	ENG. APP.
A 1	S404 IRIDITE WAS S101 CAUSTIC DIP	12-7-59	1001	P		EMN

SCALE: MAXIMUM ALLOWABLE TOLERANCES HAVE BEEN DETERMINED AND ANY DEVIATIONS WILL BE CAUSE FOR REJECTION. REMOVE ALL BURRS AND SHARP EDGES

TOLERANCES
 DEC. DIM. ±
 FRAC. DIM. ± 1/64
 ANGULAR DIM. ±