

IF IT IS FOUND DESIRABLE TO CHANGE ANY TOLERANCE OR OTHER DETAIL SPECIFIED ON THIS DRAWING NOTIFY THE PURCHASER PROMPTLY.

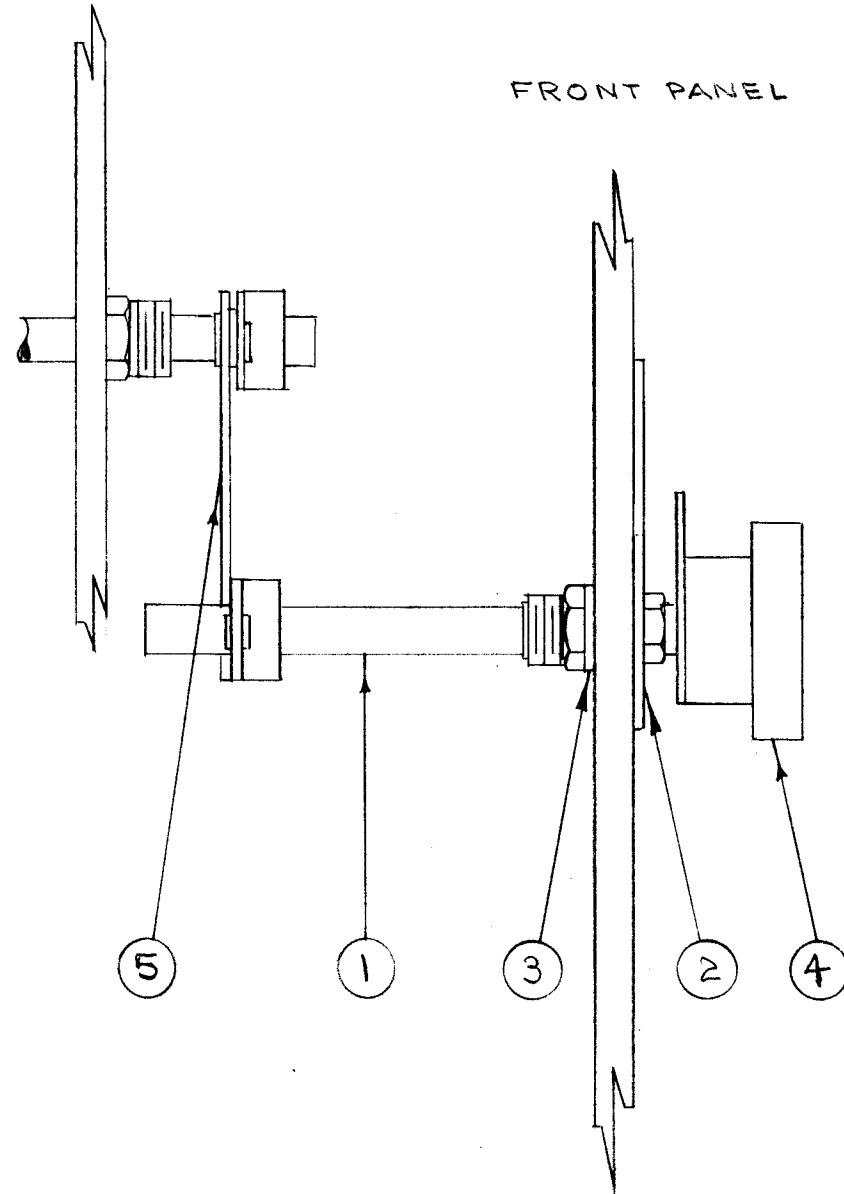
MAXIMUM ALLOWABLE TOLERANCES HAVE BEEN DETERMINED AND DEVIATIONS WILL BE CAUSE FOR REJECTION. REMOVE ALL BURRS AND SHARP EDGES

A-167

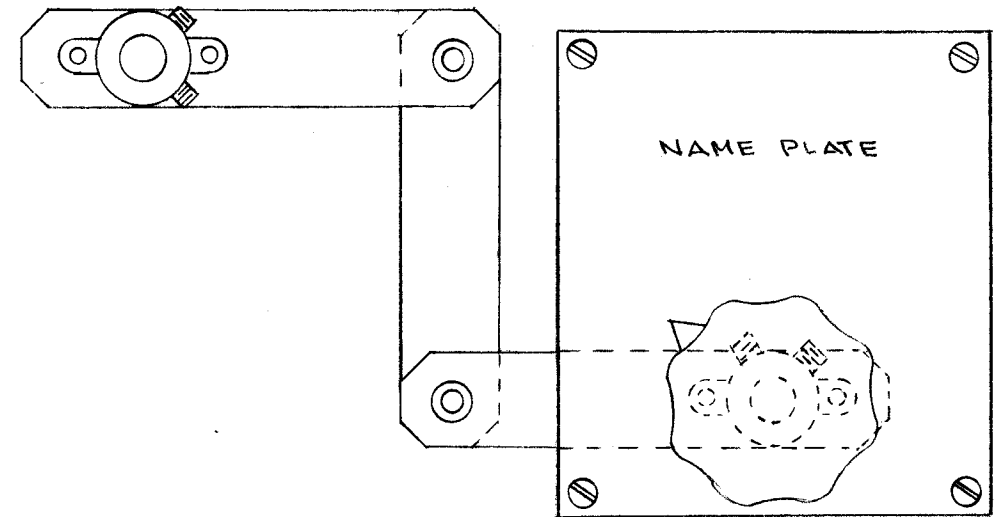
SUB PANEL

FRONT PANEL

H.F.O.



FRONT VIEW - SUB AND FRONT PANELS OMITTED



1	5	A-150	COUPLING ASSY., HFO SW.	
1	4	MP-100-A	KNOB, INST. TYPE	
1	3	LWI37MRC	LOCK WASHER, INT.	
1	2	NP-121	NAME PLATE	
1	1	PM-121	PANEL BEARING & SHAFT	

REQ.	ITEM	PART NO.	DESCRIPTION	SYMBOL
#			THE TECHNICAL MATERIEL CORP. MAMARONECK. NEW YORK	
STOCK SIZE				
#			HFO SWITCH ASSEMBLY	
MATERIAL			WEIGHT PER PC.	
#				
TYPE & TEMPER			C.D.D. 10-2-52	
#			DRAWN	
HEAT TREAT. SPEC.			ELEC. DES. APP.	
#			MECH. DES. APP.	
FINISH & SPEC. NO.			CHECKED	
			FINAL APPROVAL	

ISSUE	ITEM	CHANGED FROM	DATE	CN. NO.	DRAFTS	CHECKER	ENG. APP.
TOLERANCES		SCALE: 1/16"					
ALL OTHERS		DRILL, PUNCH, COMMERCIAL STOCK SIZES AND MANUFACTURERS TOLERANCES ARE NOT INCLUDED.					

DMK-4	140	A-256	10-2-52
MODEL	PROJECT NO.	ASS'Y. NO.	DATE
USED ON			

A-167