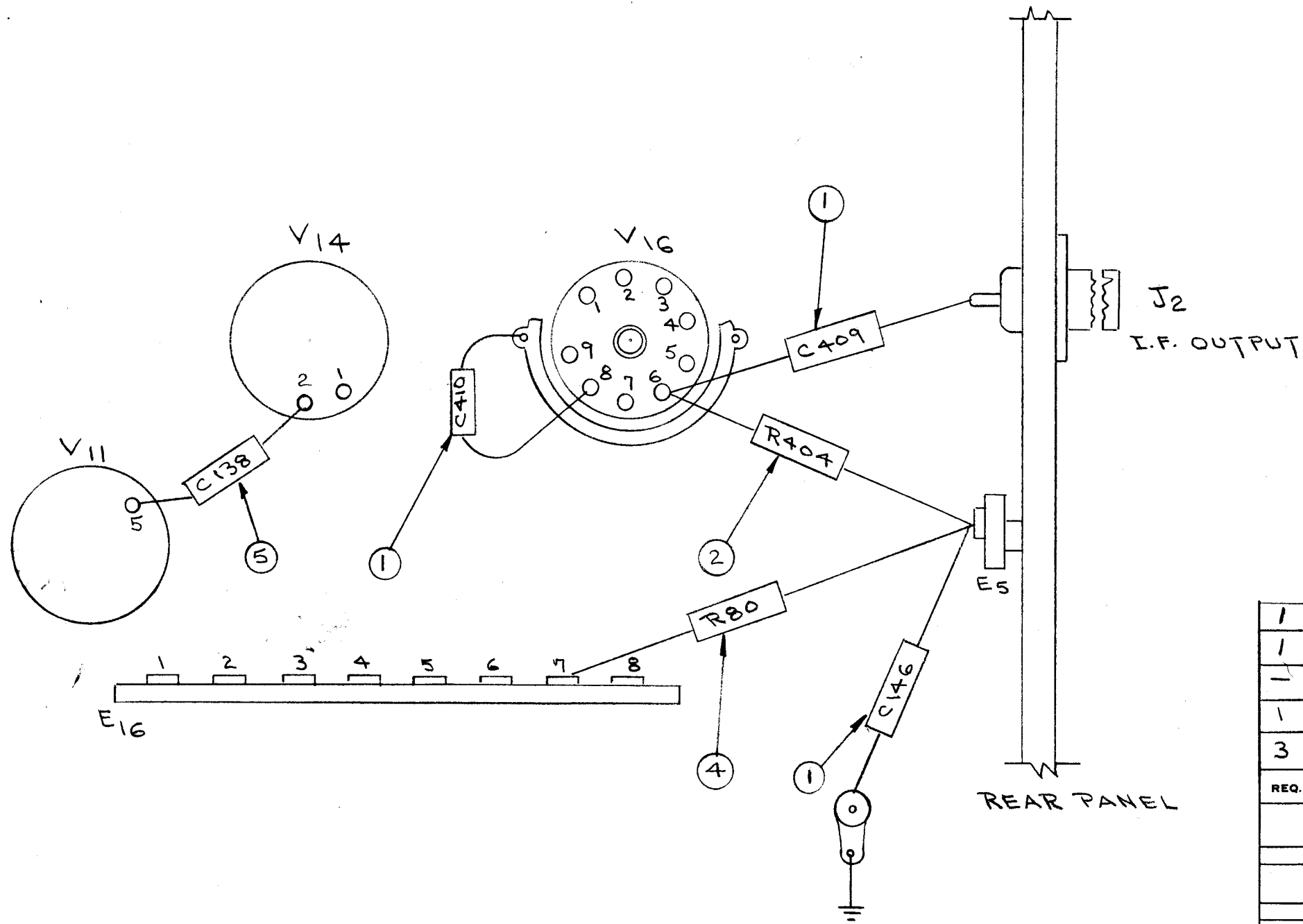


IF IT IS FOUND DESIRABLE TO CHANGE ANY TOLERANCE OR OTHER DETAIL SPECIFIED ON THIS DRAWING NOTIFY THE PURCHASER PROMPTLY.

MAXIMUM ALLOWABLE TOLERANCES HAVE BEEN DETERMINED AND DEVIATIONS WILL BE CAUSE FOR REJECTION. REMOVE ALL BURRS AND SHARP EDGES

A-160 A



NOTE:
Remove Hammarlund C-138 And
Substitute TMC C-138 (CC21SLO80D).

REQ.	ITEM	PART NO.	DESCRIPTION	SYMBOL
1	5	CC21SLO80D	CAPACITOR	C138
1	4	SALVAGE	RESISTOR 22K, 1/2W	R80
-	3	BS-100	SOLDER, SOFT	
1	2	RC20GF392K	RESISTOR, FIXED	R404
3	1	CC-100-16	CAPACITOR, FIXED	C146 C409 C410

THE TECHNICAL MATERIEL CORP. MAMARONECK. NEW YORK			
MODIFICATION ASSEMBLY			
IF OUTPUT			
STOCK SIZE		CDD	
MATERIAL		ARB	
WEIGHT PER PC.		DRAWN	
TYPE & TEMPER		ELEC. DES. APP.	
HEAT TREAT. SPEC.		MECH. DES. APP.	
FINISH & SPEC. NO.		CHECKED	
		FINAL APPROVAL	
		A-160 A	

A	1	C138-C-146 Added	7/22/53	1	JAD	RRR	ARB
ISSUE	ITEM	CHANGED FROM	DATE	CN. NO.	DRAFTS	CHECKER	ENG. APP.
TOLERANCES				SCALE:			
ALL OTHERS		DEC. DIM. ± FRAC. DIM. ± ANGULAR DIM. ±	DRILL, PUNCH, COMMERCIAL STOCK SIZES AND MANUFACTURERS TOLERANCES ARE NOT INCLUDED.				

DMK-4			9-24-52
MODEL	PROJECT NO.	ASS'Y. NO.	DATE
USED ON			