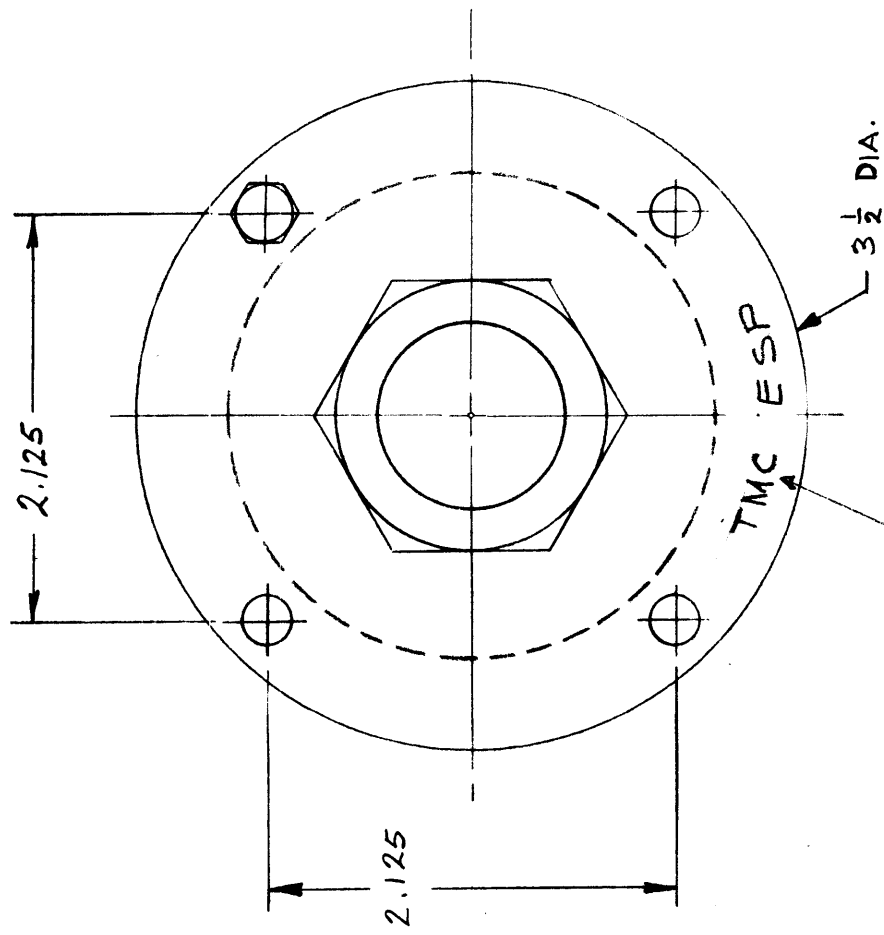
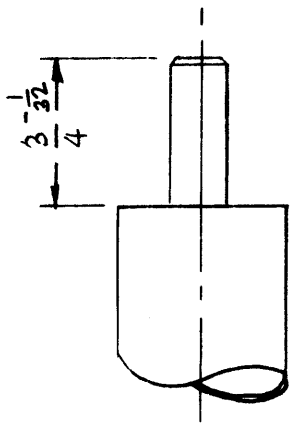
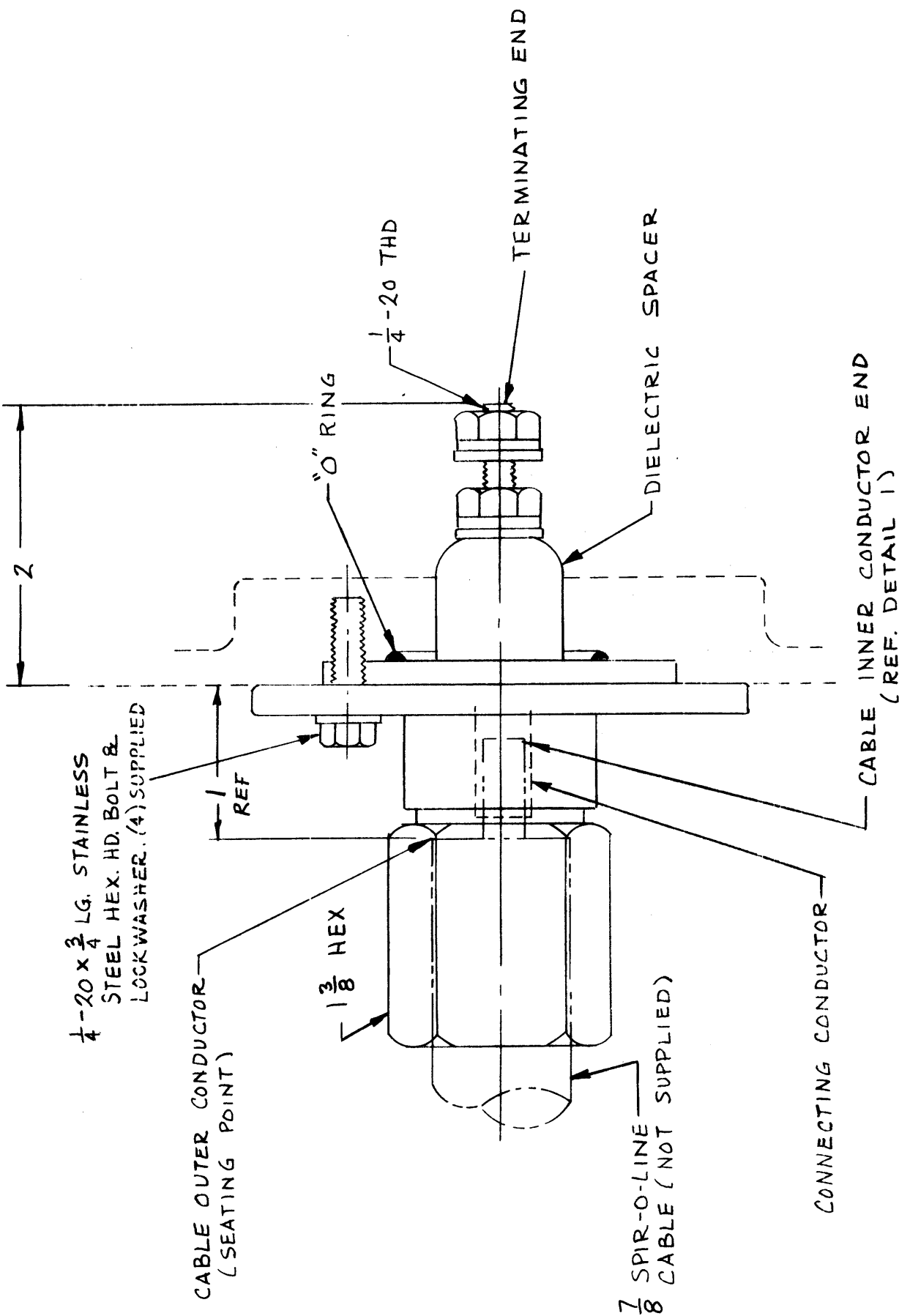


ASW



STAMP TMC PART NO AS SHOWN, 1/8 HIGH GOTHIC



DETAIL 1
CABLE TERMINATING LENGTH

REQ. ITEM	PART NO.	DESCRIPTION	SYMB L
		THE TECHNICAL MATERIEL CORP.	
		MAMARONECK, NEW YORK	
		END SEAL - FLANGE ASS'Y.	
		FOR 7/8-50 OHM SPIR-O-LINE	
		MJT 7-2-59	APP
		DRAWN	CHECKED
		HEAT TREAT. SPEC.	FINAL APPROVAL
		TYPE & TEMPER	ESP
		FINISH & SPEC. NO.	ESP
		ELEC. DES. APPROCH. DES. APP	

REG. PER UNIT	ESP	PROJECT NO.	ASSY. NO.	DATE
				7-2-59
USED ON				

ISSUE ITEM	CHAN ED FROM	DATE	CH. NO.	DRAFTS	CHECKER	ENG. APP.
TOLERANCES						
SCALE: 5-401-66 (1A55-2-875)						
MAXIMUM ALLOWABLE TOLERANCES HAVE BEEN DETERMINED AND ANY DEVIATIONS WILL BE CAUSE FOR REJECTION: REMOVE ALL BURRS AND SHARP ED ES						
DEC. DIM. ±						
FRAC. DIM. ±						
AN ULAR DIM. ±						