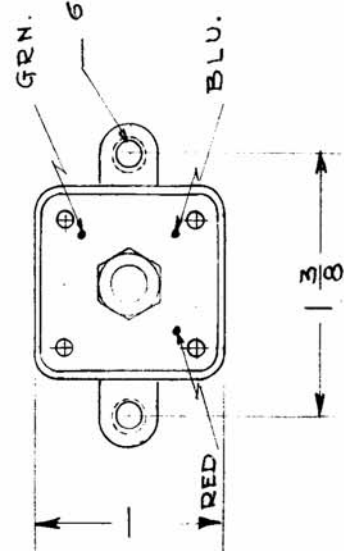
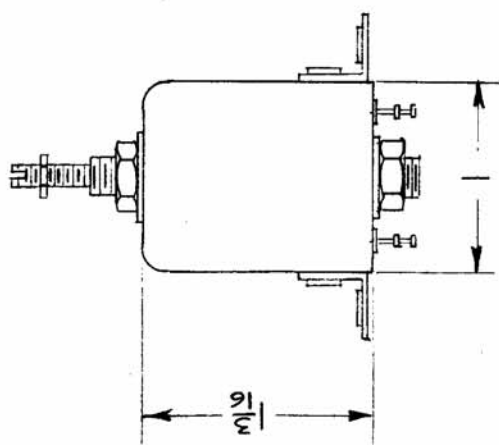
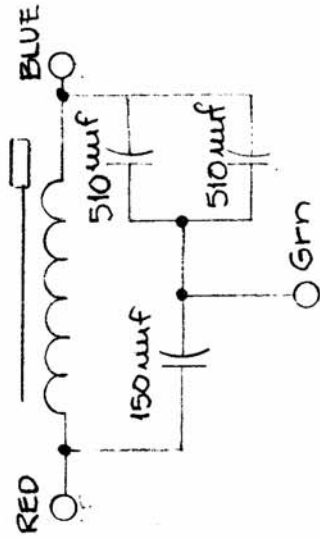


REQ. PER. UNIT	1	USED ON	AC-132	B
MODEL	CHG-1	ASST. NO.	63C	
		DATE	9-26-1960	



MODEL	REQ.	FUNCTION	OPER FREQ.	SYM.
CHG-1	1	6AMG 1MC AMP. OUTPUT COIL	1 MC	L1301

TEST DATA (W/OILT CORE)  
 L = 140  $\mu$ h  $\pm$  10%  
 Q = 40  
 FREQ = 790KC



ISSUE ITEM	CHANGED FROM	DATE	CH. NO.	DRAFTS	CHECKER	ENG. APP.	SCALE	TOLERANCES	DEC. DIM. $\pm$	FRAC. DIM. $\pm$	ANGULAR DIM. $\pm$	
B 1	ON TEST DATA "L" WAS 140 $\pm$ 14%	6-7-61	5013		M.A.F.	<i>[Signature]</i>						
A 1	L WAS 170 $\mu$ h (165 to 175)	12/16/60	3767		D.M.	<i>[Signature]</i>						
TOLERANCES								MAXIMUM ALLOWABLE TOLERANCES HAVE BEEN DETERMINED AND ANY DEVIATIONS WILL BE CAUSE FOR REJECTION. REMOVE ALL BURRS AND SHARP EDGES				
DESCRIPTION								THE TECHNICAL MATERIEL CORP. MAMARONECK, NEW YORK				
PART NO.								COIL, RF, TUNED				
SYMBOL								A55				
MATERIAL								DRAWN <i>[Signature]</i> CHECKED <i>[Signature]</i> FINAL APPROVAL				
FINISH & SPEC. NO.								AC-132				
ELEC. DES. APP.								M.E.C. DES. APP.				