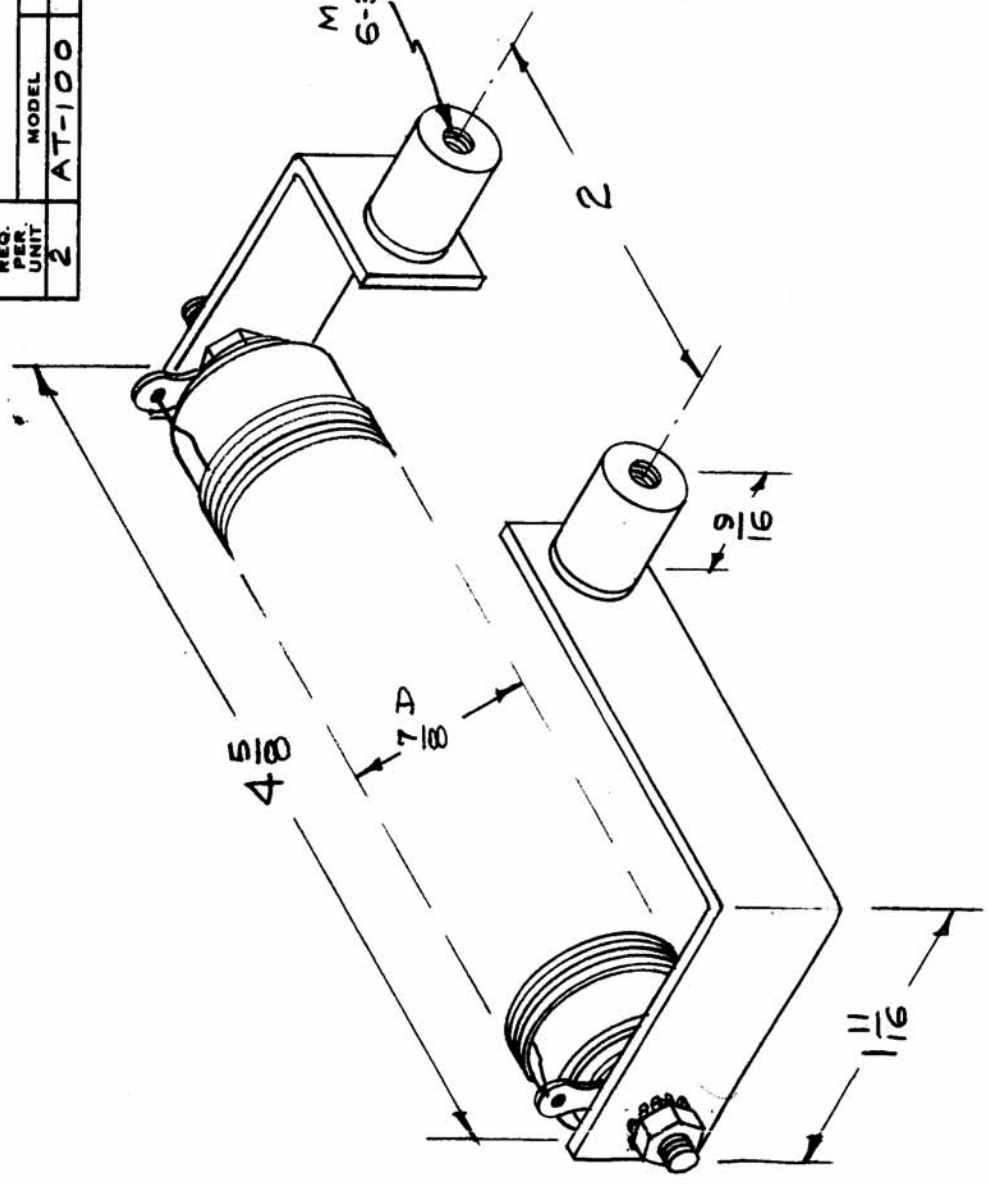


REQ. PER UNIT	MODEL	USED ON
2	AT-100	AC-105
	ASS'Y. NO.	DATE

Mounting -  
6-32 Thds (2)

L- 38 μhy ± 5%  
Q- 160 or Greater  
F- 2.5 MC (Test Fr.)



REQ. ITEM	PART NO.	DESCRIPTION	SYMBOL
		THE TECHNICAL MATERIEL CORP.	
		MAMARONECK, NEW YORK	
		COIL, RF, FIXED, 38 μhy.	
ISSUE ITEM	CHANGED FROM	DATE	CH. NO.
		16/9/59	
		CHECKER	ENG. APP.
		1A-1764	
TOLERANCES			
DEC. DIM. ±	All Dimensions		
FRAC. DIM. ±	Approx.		
ANGULAR DIM. ±			
	TYPE & TEMPER	HEAT TREAT. SPEC.	DRAWN
	MATERIAL		
	FINISH & SPEC. NO.	ELEC. DES. APP	MECH. DES. APP
		CHECKED	FINAL APPROVAL
			AC-105